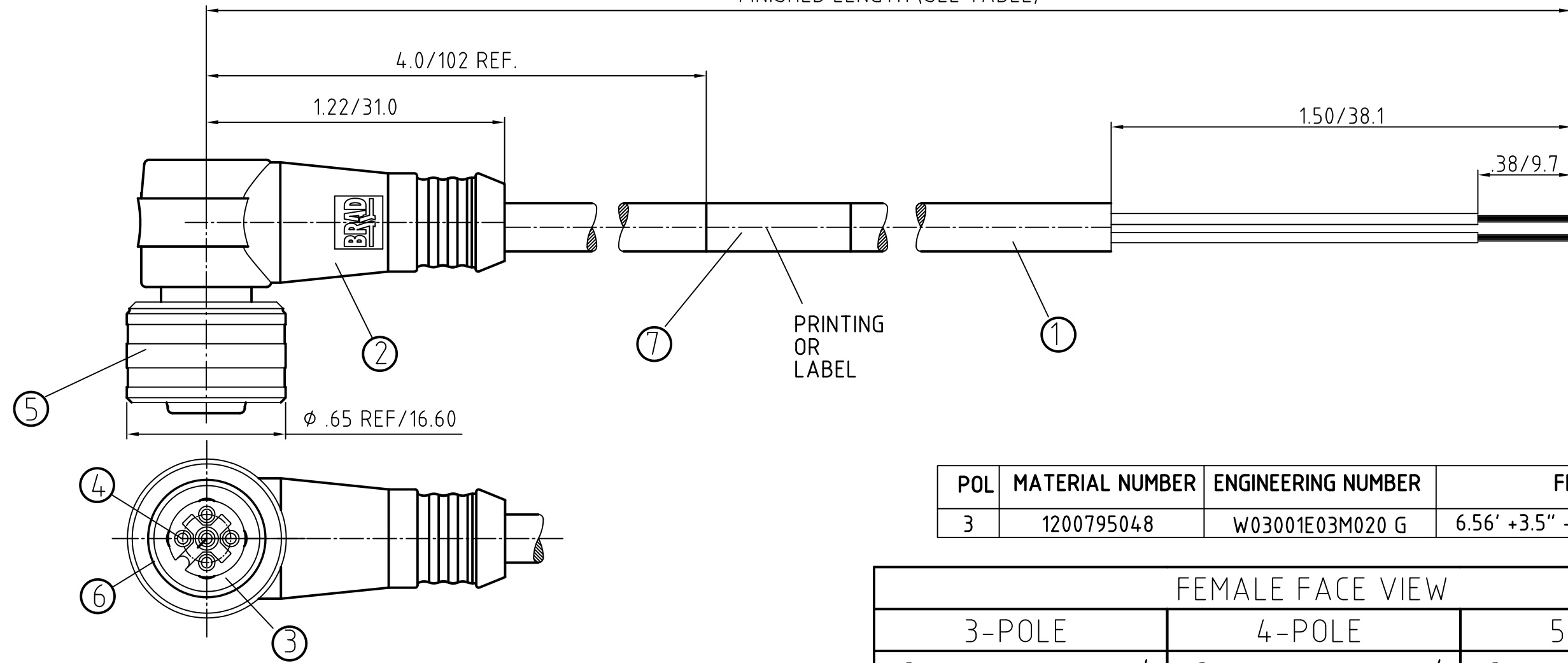


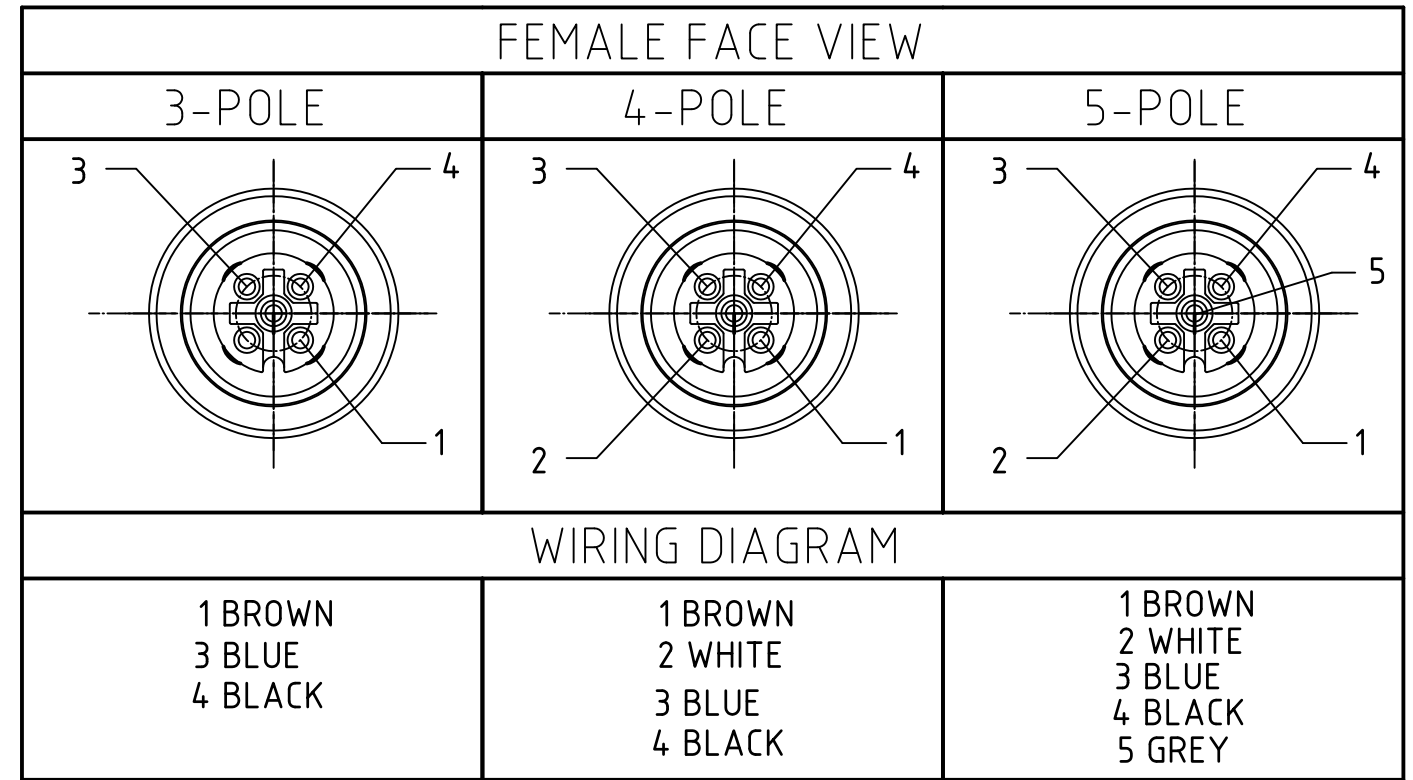
FINISHED LENGTH (SEE TABLE)



| POL | MATERIAL NUMBER | ENGINEERING NUMBER | FINISHED LENGTH |
|-----|-----------------|--------------------|------------------------------|
| 3 | 1200795048 | W03001E03M020 G | 6.56' +3.5" -0 [2.0M +89 -0] |

CONNECTOR SPECIFICATION:

| | |
|-----------------------|-------------------|
| VOLTAGE RATING | 250 VAC/VDC |
| AMPERAGE RATING | max. 4 AMPS |
| PROTECTION | IP67/68/69K |
| OPERATING TEMPERATURE | -30°C TO +80°C |
| UL CERTIFICATIONS | UL STYLE 2464 |
| CSA CERTIFICATIONS | I/II A/B 80°/300V |



| ITEM | COMPONENT | MATERIAL | FINISH |
|------|---|--------------|------------------|
| 7 | LABLE | MYLAR | BLACK/YELLOW |
| 6 | O-RING | VITON | GREEN |
| 5 | COUPLER | BRASS | NICKEL PLATED |
| 4 | CONTACT SOCKET | COPPER ALLOY | GOLD OVER NICKEL |
| 3 | INSERT | NYLON | BLACK |
| 2 | OVERMOLD | TPE (PUR) | BLACK |
| 1 | CABLE- 22/3-5 AWG (COPPER STRANDING) 4 CONDUCT. 300V | JACKET: PVC | JACKET: BLACK |

| | | | | | | |
|---|---------------------------------------|--|--|--|--------------|------------------------|
| DESCRIPTION EC NO: WEU2010-0360 DRWN: LSTEMMLE 2010/02/15 CHKD: NS APPR: FPACHER 2010/02/16 | QUALITY SYMBOLS | GENERAL TOLERANCES (UNLESS SPECIFIED) | DIMENSION STYLE | SCALE | DESIGN UNITS | THIRD ANGLE PROJECTION |
| | $\nabla = 0$ $\nabla \text{C} = 0$ | mm INCH 4 PLACES ± --- ± --- 3 PLACES ± --- ± --- 2 PLACES ± --- ± .01 1 PLACE ± 0.3 ± --- ANGULAR ± --- ° | IN/MM | 2:1 | METRIC | |
| | | DRAFT WHERE APPLICABLE MUST REMAIN WITHIN DIMENSIONS | DRAWN BY DATE LSTEMMLE 2010/02/15 CHECKED BY DATE FP 2010/02/16 APPROVED BY DATE FPACHER 2010/02/15 | MICRO-CHANGE ULTRA LOCK 3-5 POLE FEMALE 90 BL 22/3-5 PVC BLACK CABLE | | |
| | 1 | SEE TABLE | MATERIAL NO. SD-120079-037 DOCUMENT NO. | MOLEX INCORPORATED SD-120079-037 | | SHEET NO. 1 OF 1 |