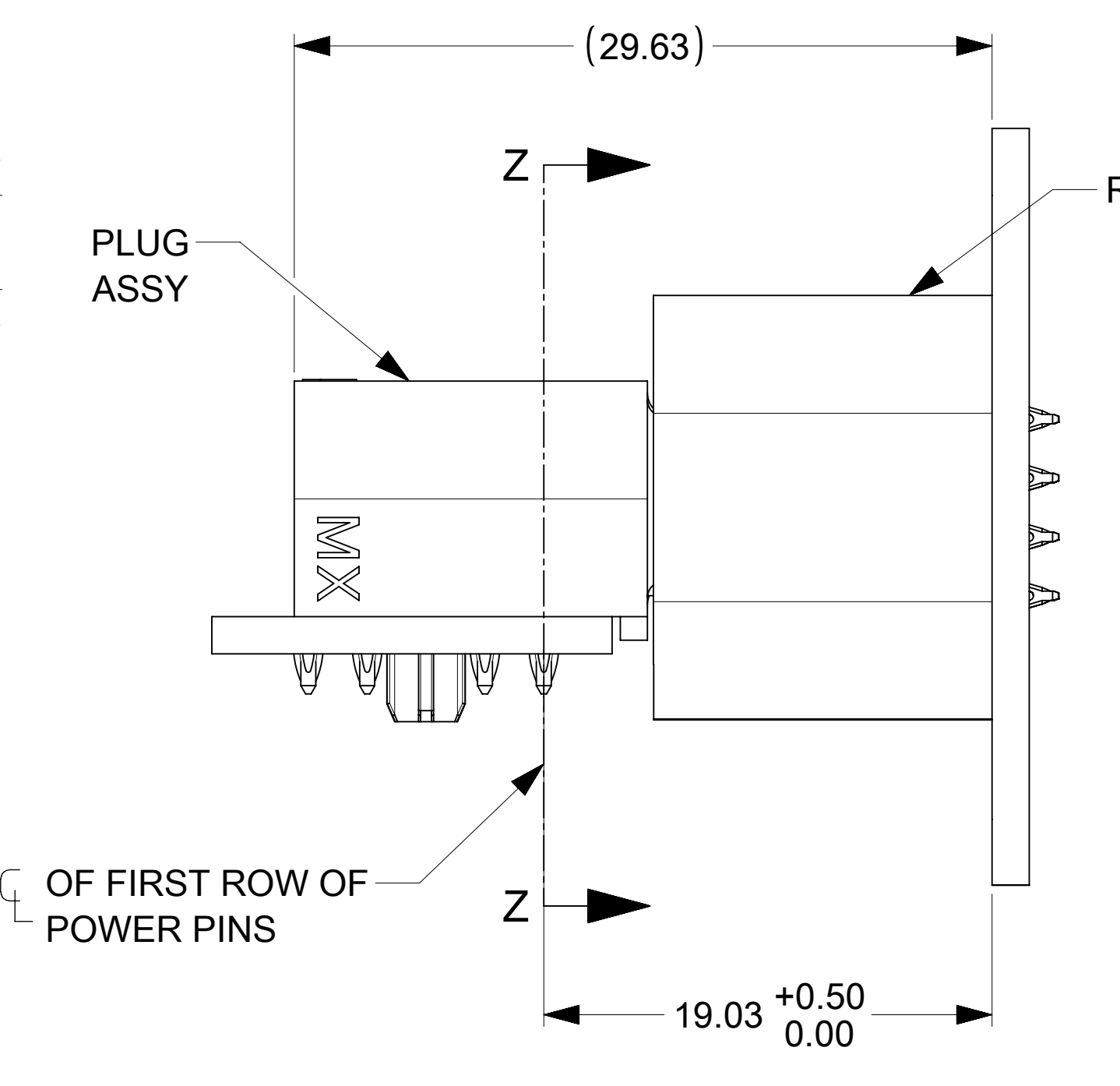
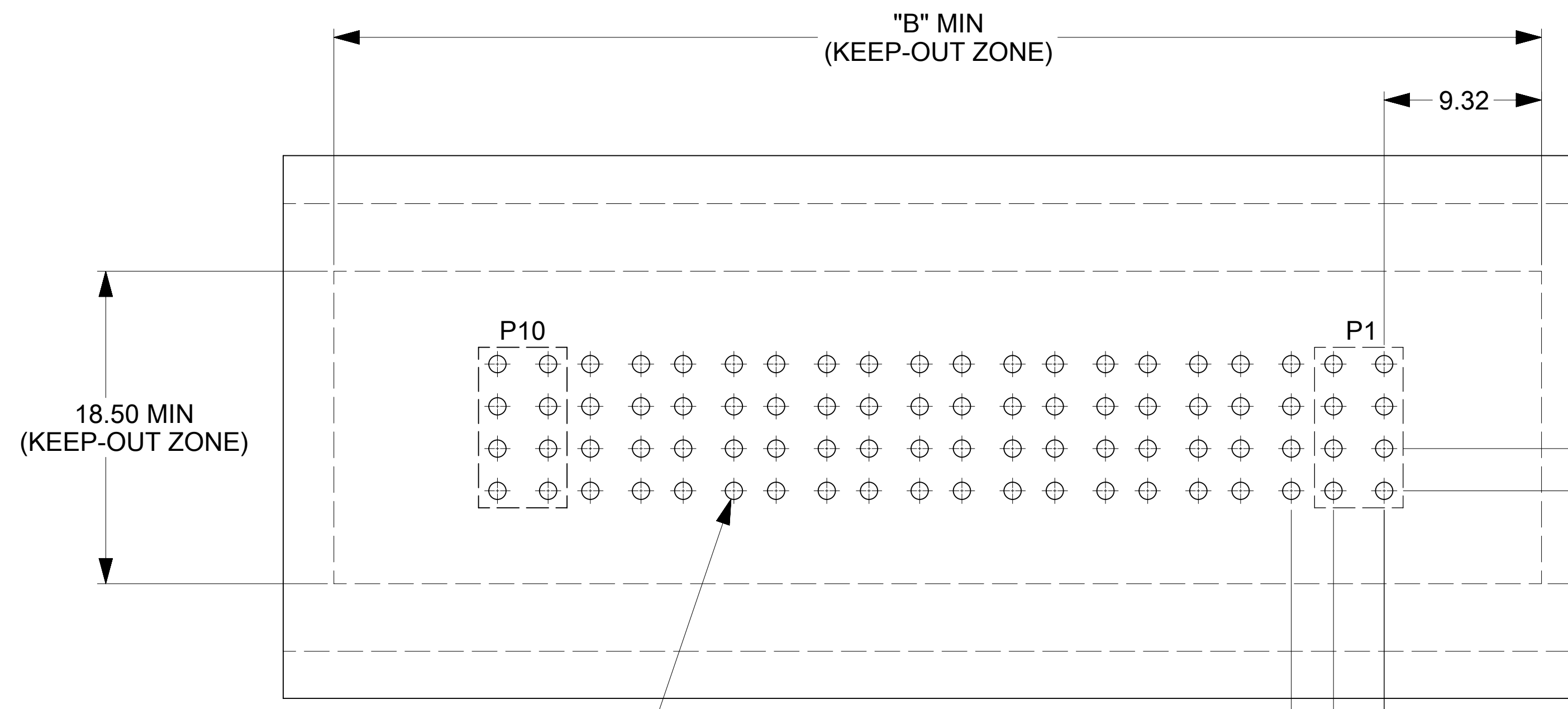
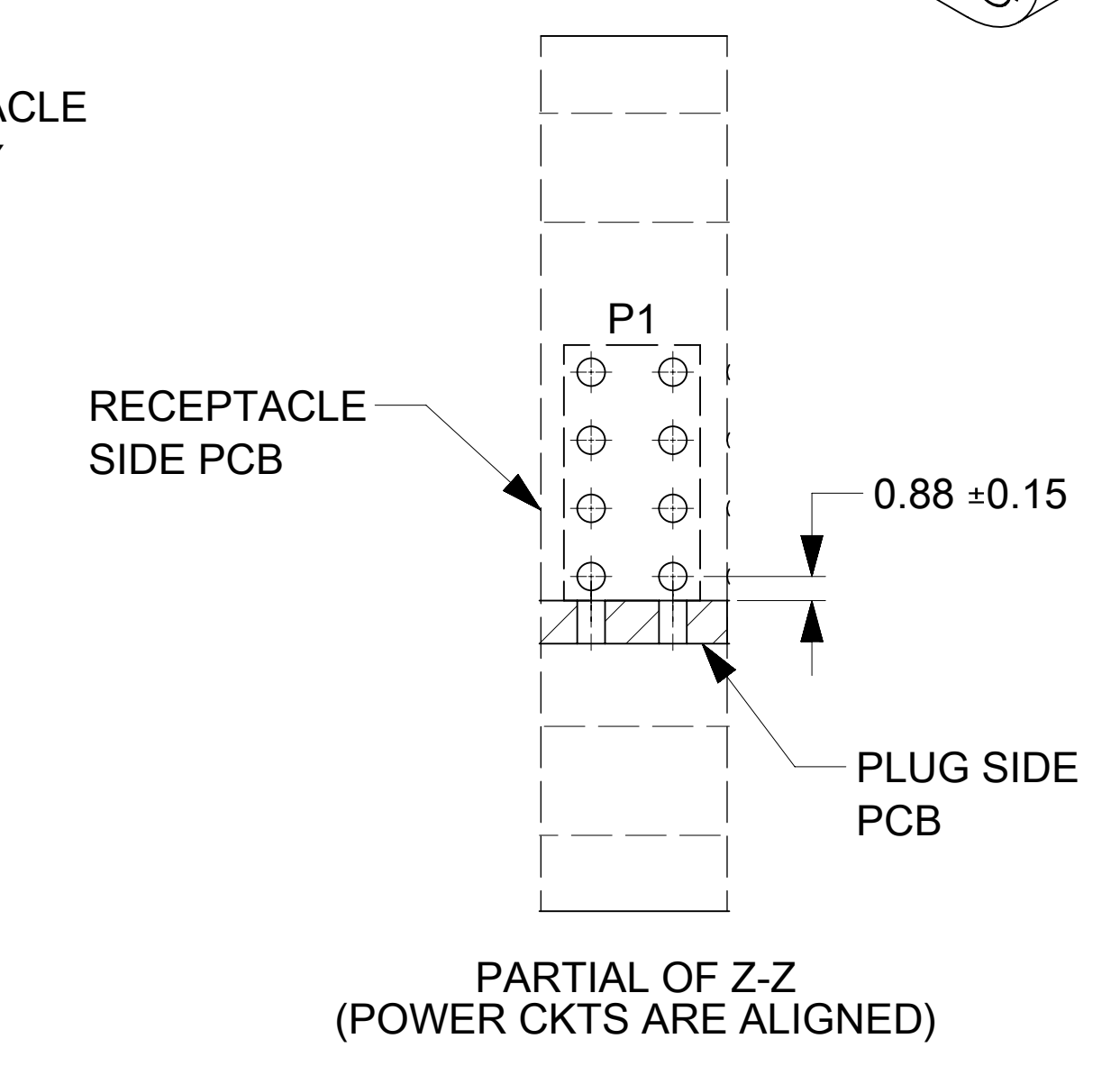


ALLOW EXTRA SPACE  
4.00 MM PER SIDE  
(REQUIRED FOR RE-WORK PER AS-46436-100)



P/N : 46562-9310 (G-10P-G)



- NOTES:
- MATERIAL:
    - HOUSINGS: LCP UL94, V-0, COLOR : BLACK
    - TERMINALS: HIGH CONDUCTIVITY COPPER ALLOY
    - PLATING: 1.27 MICROMETER (50 MICROINCH) NICKEL OVERALL WITH 2.54 MICROMETER (100 MICROINCH) SELECTIVE TIN ON TAILS AND 0.762 MICROMETER (30 MICROINCH) SELECTIVE GOLD ON CONTACT AREA
  - PACKAGING: ASSEMBLIES TO BE TRAY PACKED PER PACKAGING SPEC: 465621001-PK
  - PLATED THRU HOLE SIZE, REFER TO PS-46436-100 FOR DETAILS
  - PRODUCT SPEC: PS-46436-100
  - PRODUCT TO MEET RoHS REQUIREMENTS
  - ASSEMBLY MATES TO MOLEX PLUG ASSEMBLY P/N 46437-\*\*\*\* (SEE TABLE IN SHEET 2).
  - TAIL DESIGN: COMPLIANT PINS
  - POWER CONTACTS ARE LUBRICATED.
  - APPLICATION SPEC: AS-46436-100.
  - MOLEX LOGO TO BE LOCATED APPROXIMATELY AS SHOWN.

⌀ 0.10 A B  
⌀1.02 ±0.05 ("H1")  
(SEE NOTE 3)

RECOMMENDED PCB LAYOUT AND KEEP-OUT ZONE FOR G-(1P TO 10P)-G

THIS DRAWING CONTAINS INFORMATION THAT IS PROPRIETARY TO MOLEX ELECTRONIC TECHNOLOGIES, LLC AND SHOULD NOT BE USED WITHOUT WRITTEN PERMISSION									
DIMENSION UNITS	SCALE	CURRENT REV DESC: ADDED ISOMETRIC VIEWS							
mm	4:1								
GENERAL TOLERANCES (UNLESS SPECIFIED)									
ANGULAR TOL	± 0.5°								
4 PLACES	±	EC NO: 689821							
3 PLACES	±	DRWN: HARSHG		2021/12/13					
2 PLACES	± 0.13	CHK'D: GJEEVANSURES		2021/12/22					
1 PLACE	± 0.25	APPR: HTHYAGARAJ		2022/02/14					
0 PLACES	±	INITIAL REVISION:							
DRAFT WHERE APPLICABLE MUST REMAIN WITHIN DIMENSIONS		DRWN: KSUTAR		2021/08/17					
		APPR: HTHYAGARAJ		2021/10/21					
THIRD ANGLE PROJECTION		DRAWING		SERIES		MATERIAL NUMBER		CUSTOMER	
D-SIZE		46562		SEE TABLE		GENERAL MARKET		SHEET NUMBER	
								1 OF 3	

**molex**

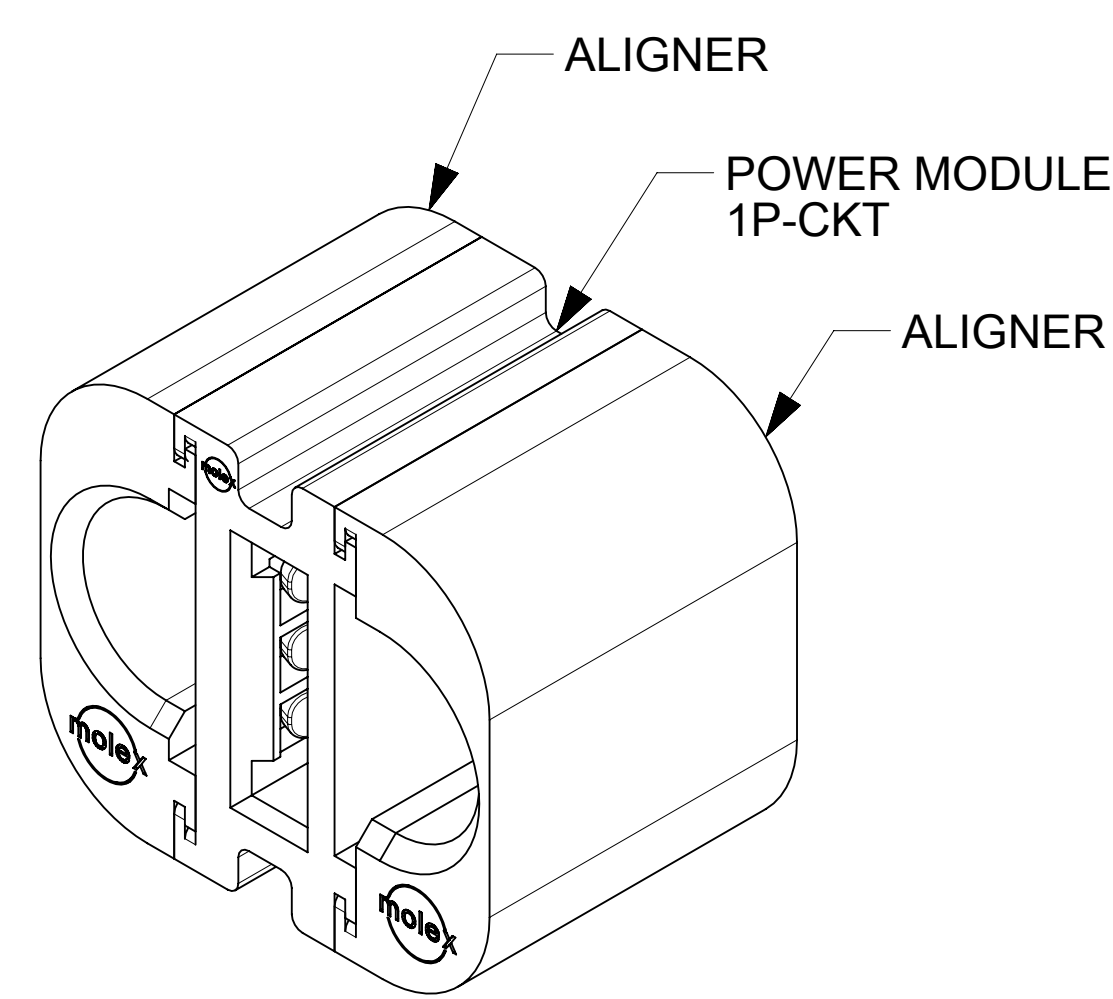
G-\*P-G  
VERT RECEPTACLE ASSY - TEN60 POWER FAMILY

PRODUCT CUSTOMER DRAWING

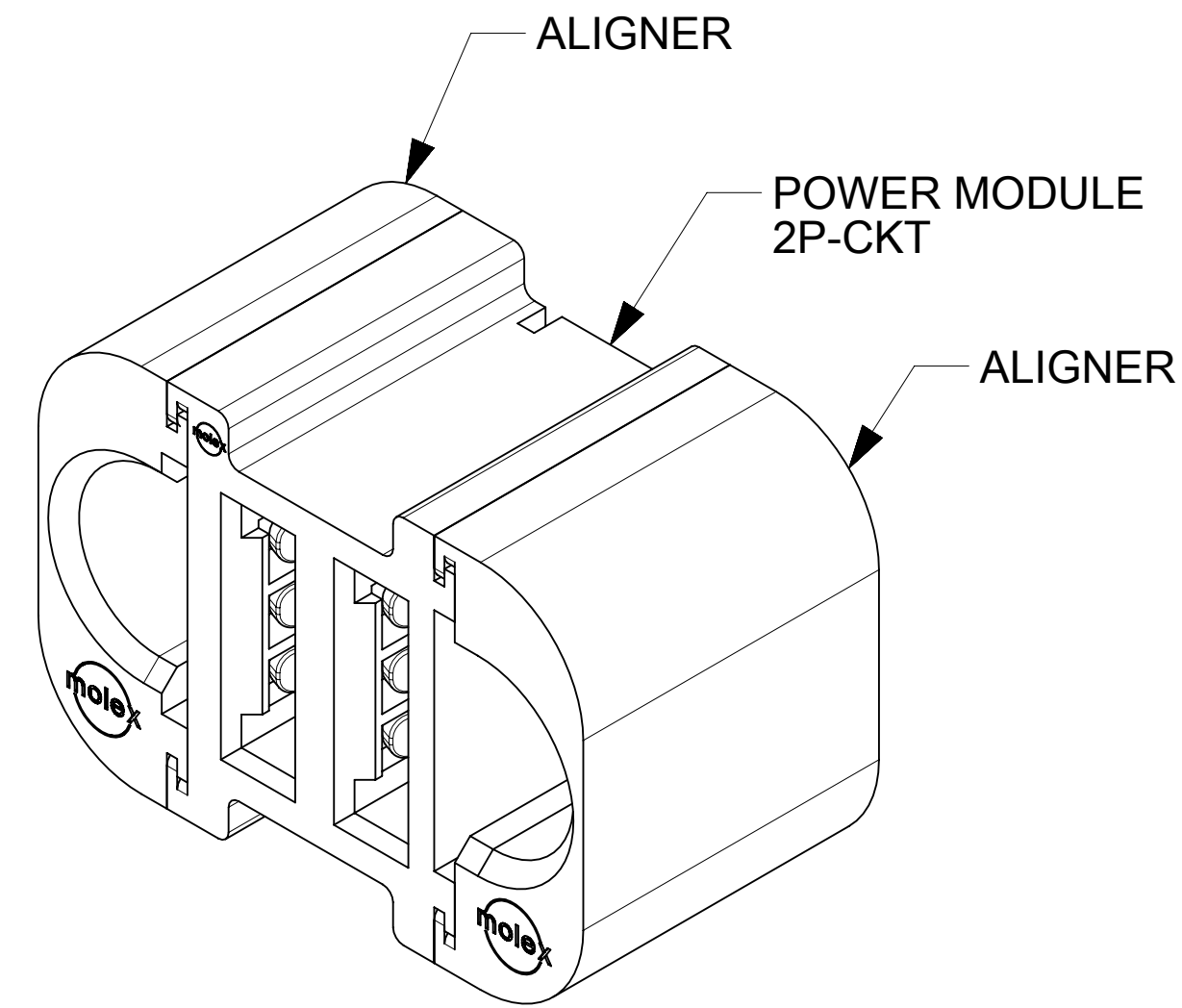
DOCUMENT NUMBER	DOC TYPE	DOC PART	REVISION
465629310	PSD	000	A1

REFER TO BELOW TABLE FOR DIMENSIONS.

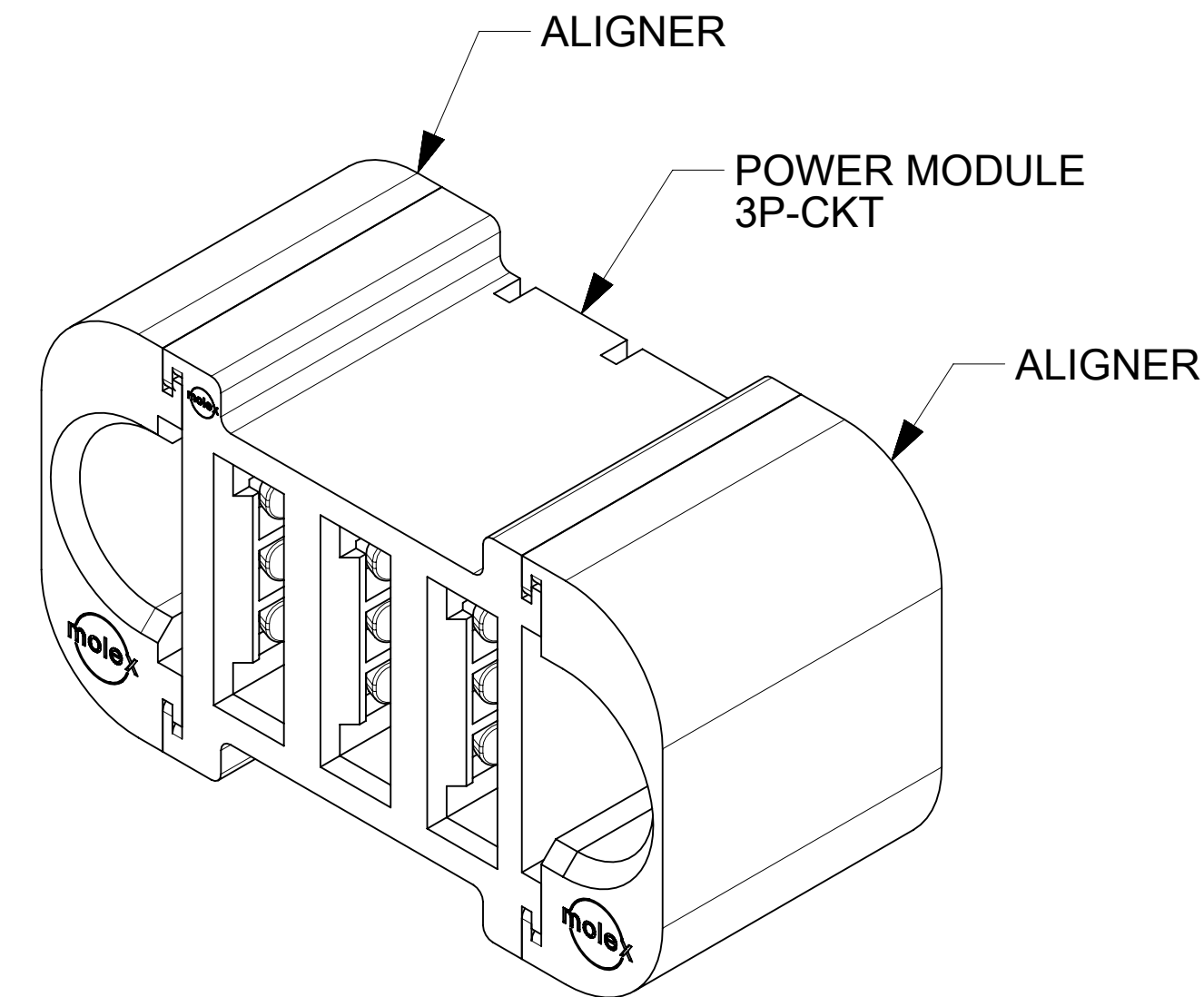
FG P/N	CONFIGURATION	POWER CKT SIZE	DIM "A" (IN MM)	DIM "B" (IN MM)	HOLES COUNT "H1"	MATES WITH R/A PLUG ASSY P/N
465629301	G-1P-G	1	21.00	22.00	08	464379301
465629302	G-2P-G	2	26.50	27.50	16	464379302
465629303	G-3P-G	3	32.00	33.00	24	464379303
465629304	G-4P-G	4	37.50	38.50	32	464379304
465629305	G-5P-G	5	43.00	44.00	40	464379305
465629306	G-6P-G	6	48.50	49.50	48	464379306
465629307	G-7P-G	7	54.00	55.00	56	464379307
465629308	G-8P-G	8	59.50	60.50	64	464379308
465629309	G-9P-G	9	65.00	66.00	72	464379309
465629310	G-10P-G	10	70.50	71.50	80	464379310



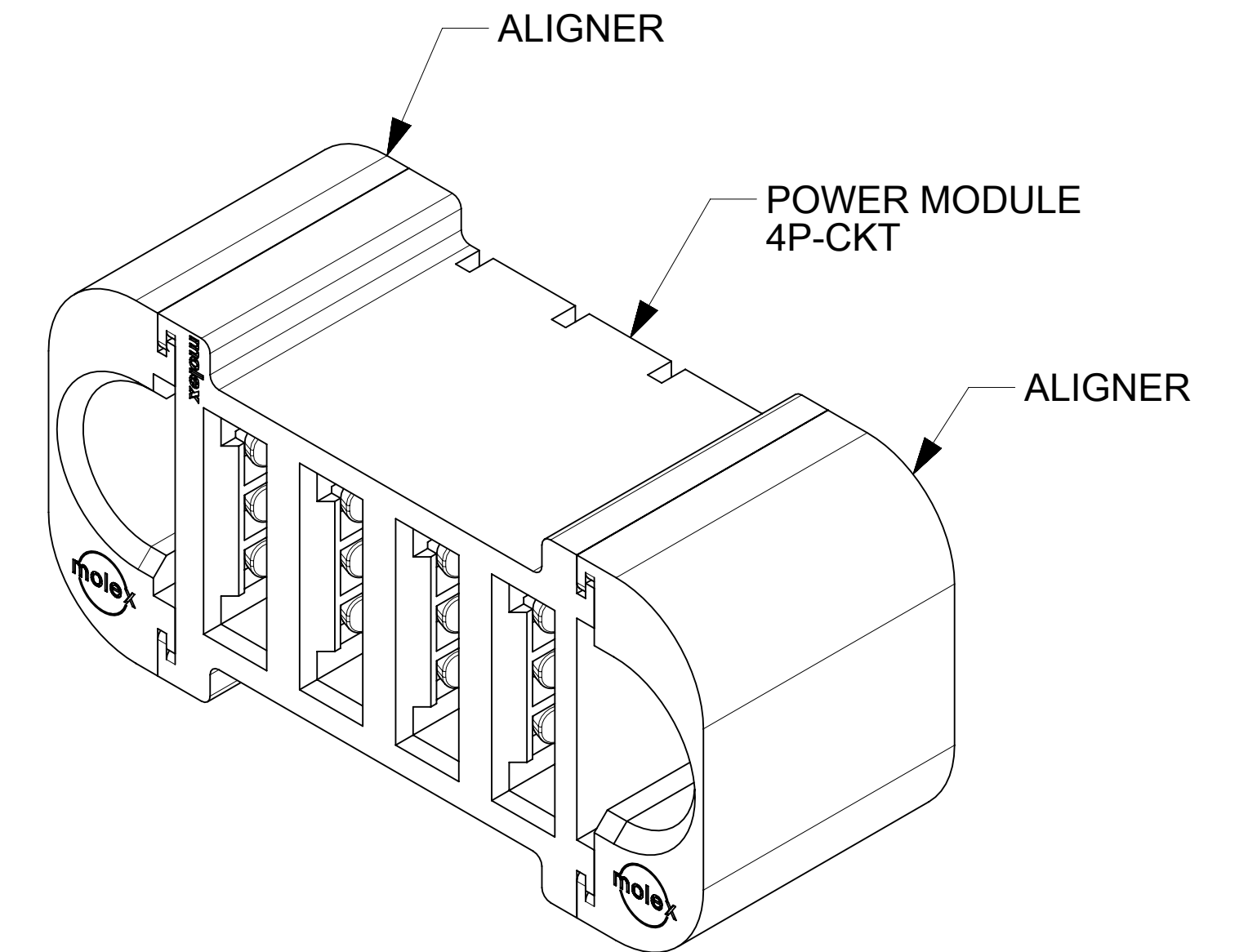
P/N : 46562-9301 (G-1P-G)



P/N : 46562-9302 (G-2P-G)

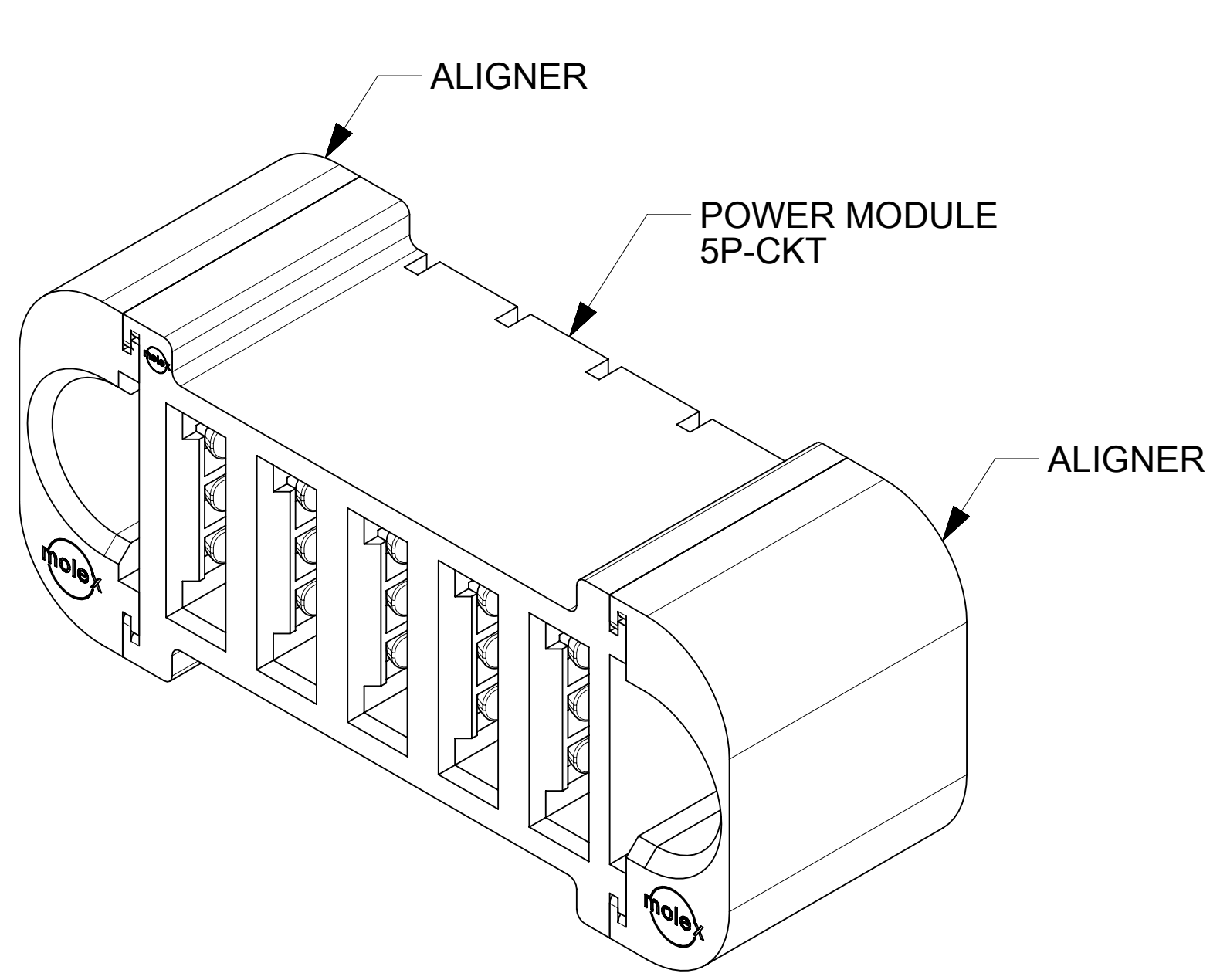


P/N : 46562-9303 (G-3P-G)

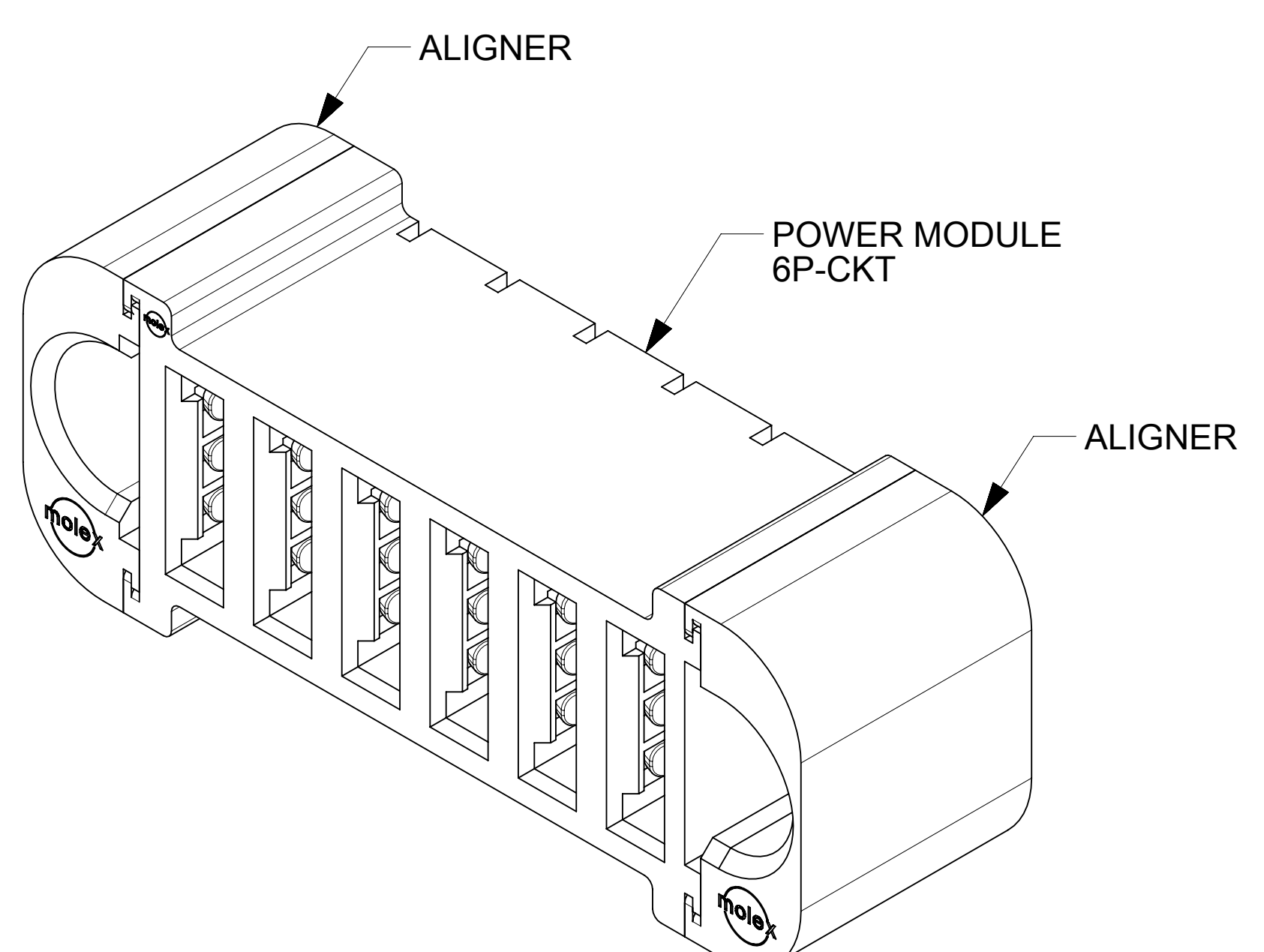


P/N : 46562-9304 (G-4P-G)

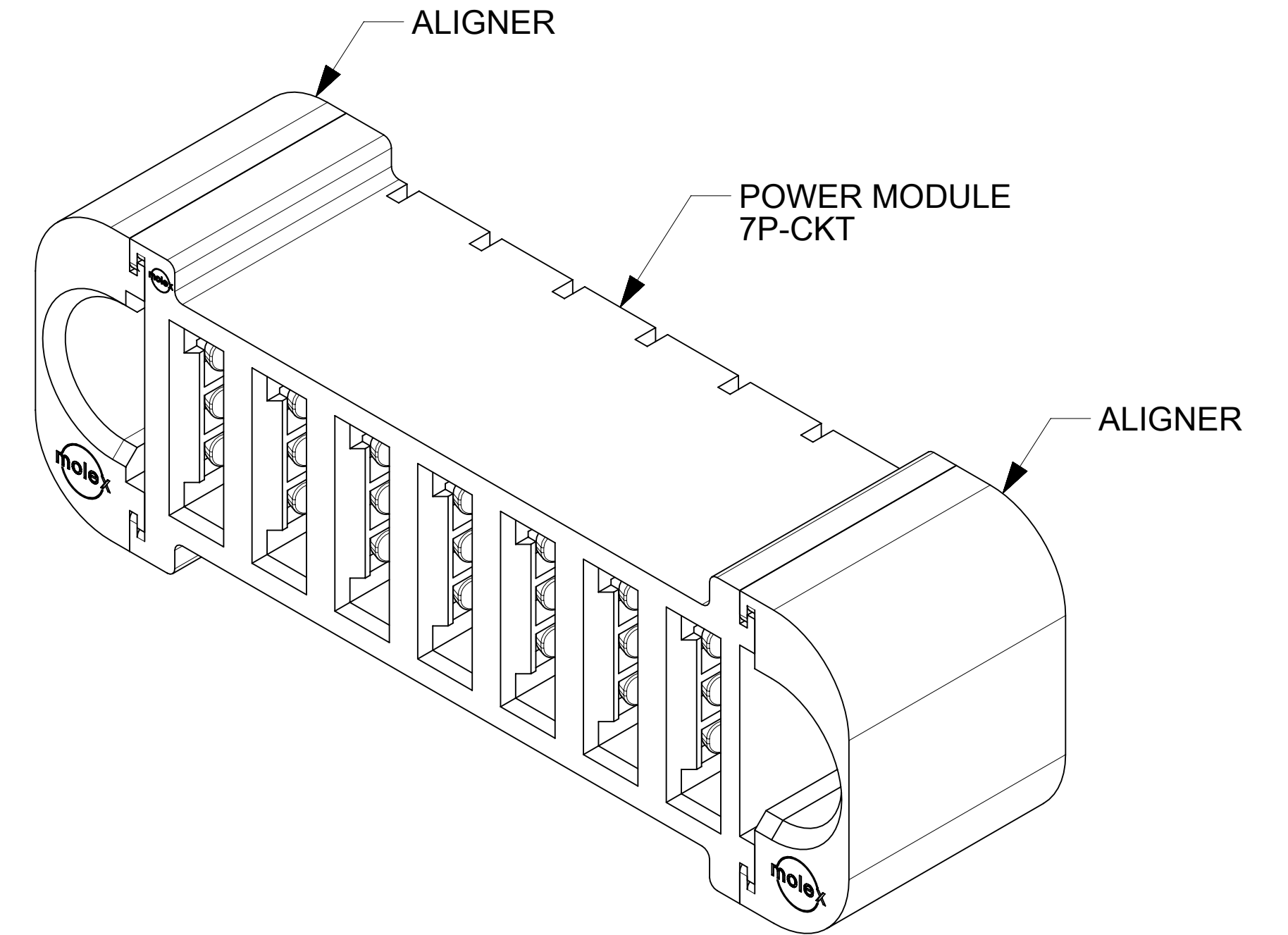
THIS DRAWING CONTAINS INFORMATION THAT IS PROPRIETARY TO MOLEX ELECTRONIC TECHNOLOGIES, LLC AND SHOULD NOT BE USED WITHOUT WRITTEN PERMISSION											
DIMENSION UNITS		SCALE		CURRENT REV DESC: ADDED ISOMETRIC VIEWS						<b>molex</b>	
mm		4:1									
GENERAL TOLERANCES (UNLESS SPECIFIED)				EC NO: 689821		DRWN: HARSHG		2021/12/13		G-*P-G VERT RECEPTACLE ASSY - TEN60 POWER FAMILY	
ANGULAR TOL ± 0.5°				CHK'D: GJEEVANSURES		2021/12/22					
4 PLACES ±				APPR: HTHYAGARAJ		2022/02/14		PRODUCT CUSTOMER DRAWING			
3 PLACES ±				INITIAL REVISION:		DRWN: KSUTAR		2021/08/17		DOCUMENT NUMBER	
2 PLACES ± 0.13				APPR: HTHYAGARAJ		2021/10/21		465629310		DOC TYPE DOC PART REVISION	
1 PLACE ± 0.25				DRAFT WHERE APPLICABLE		THIRD ANGLE PROJECTION		D-SIZE		46562	
0 PLACES ±				MUST REMAIN WITHIN DIMENSIONS		DRAWING		SERIES		MATERIAL NUMBER CUSTOMER SHEET NUMBER	
						DRAFT WHERE APPLICABLE MUST REMAIN WITHIN DIMENSIONS		D-SIZE		46562	
DOCUMENT STATUS				P1		RELEASE DATE		2022/02/14 09:02:10		SEE TABLE	
										GENERAL MARKET	
										2 OF 3	



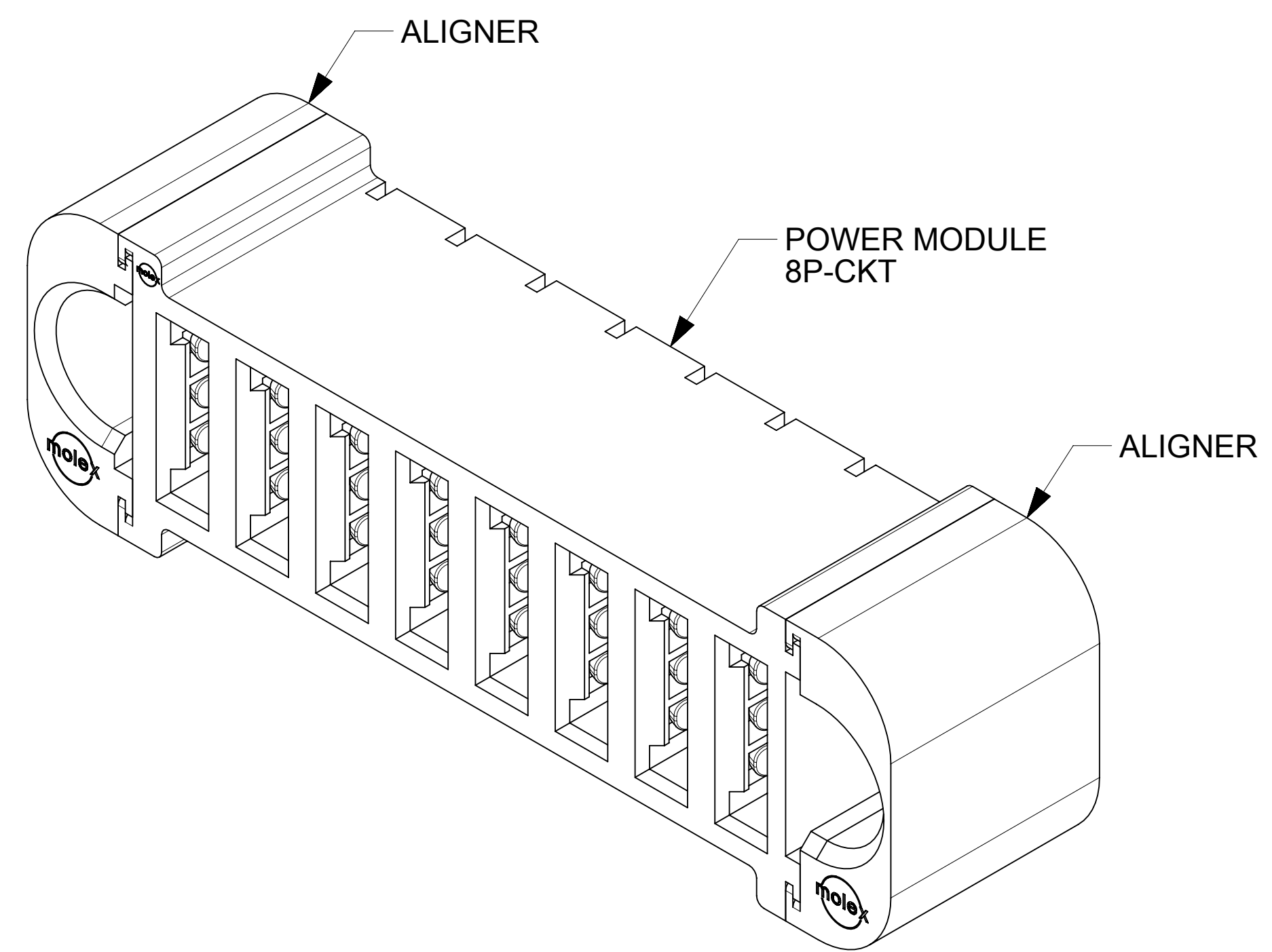
P/N : 46562-9305 (G-5P-G)



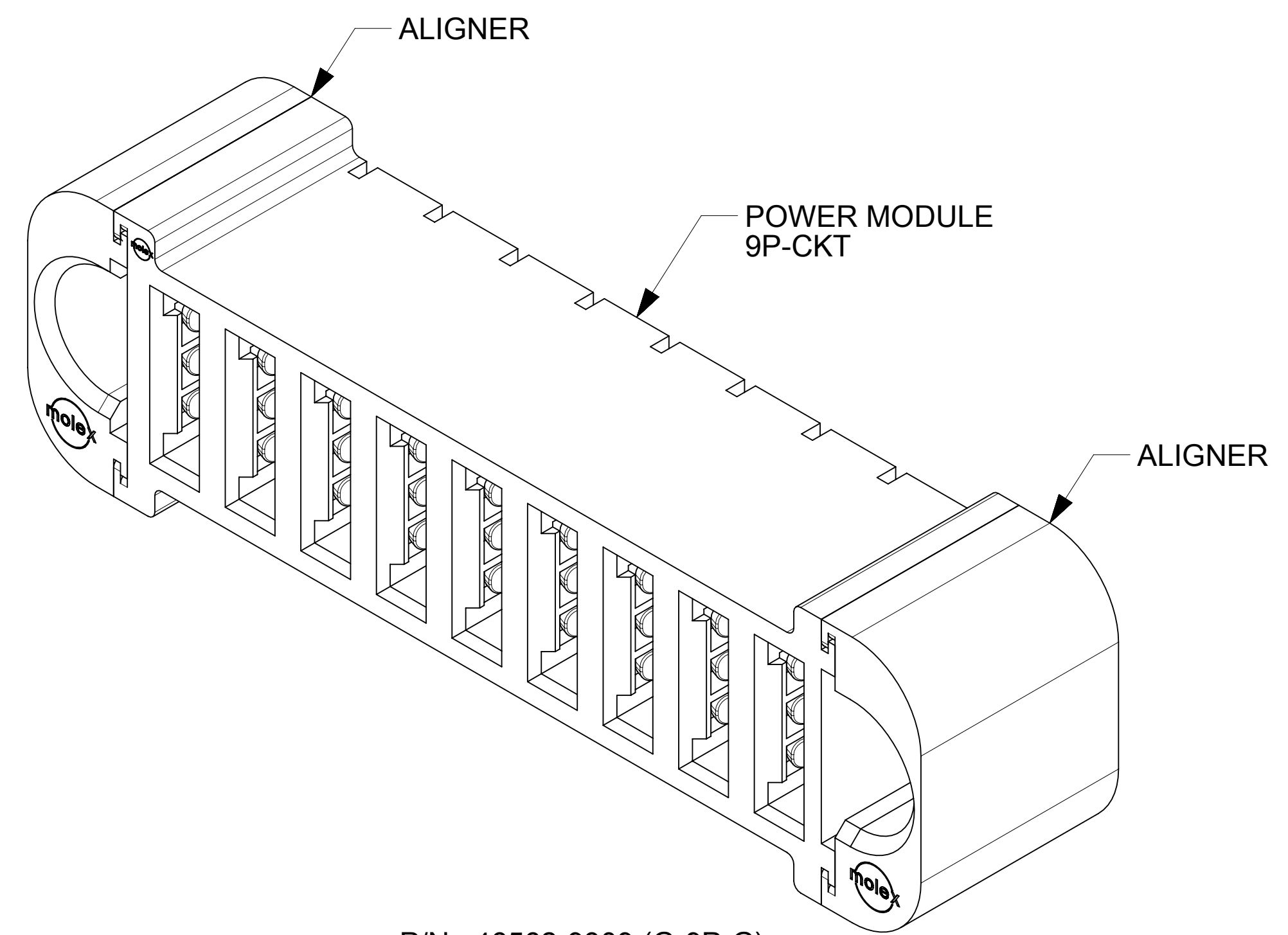
P/N : 46562-9306 (G-6P-G)



P/N : 46562-9307 (G-7P-G)



P/N : 46562-9308 (G-8P-G)



P/N : 46562-9309 (G-9P-G)

THIS DRAWING CONTAINS INFORMATION THAT IS PROPRIETARY TO MOLEX ELECTRONIC TECHNOLOGIES, LLC AND SHOULD NOT BE USED WITHOUT WRITTEN PERMISSION									
DIMENSION UNITS		SCALE		CURRENT REV DESC: ADDED ISOMETRIC VIEWS					
mm		4:1							
GENERAL TOLERANCES (UNLESS SPECIFIED)									
ANGULAR TOL ± 0.5°				EC NO: 689821					
4 PLACES ±				DRWN: HARSHG		2021/12/13			
3 PLACES ±				CHK'D: GJEEVANSURES		2021/12/22			
2 PLACES ± 0.13				APPR: HTHYAGARAJ		2022/02/14			
1 PLACE ± 0.25				INITIAL REVISION:					
0 PLACES ±				DRWN: KSUTAR		2021/08/17			
				APPR: HTHYAGARAJ		2021/10/21			
DRAFT WHERE APPLICABLE MUST REMAIN WITHIN DIMENSIONS				THIRD ANGLE PROJECTION		DRAWING		SERIES	
						D-SIZE		46562	
				MATERIAL NUMBER		CUSTOMER		SHEET NUMBER	
				SEE TABLE		GENERAL MARKET		3 OF 3	

**molex**

G-\*P-G  
VERT RECEPTACLE ASSY - TEN60 POWER FAMILY

PRODUCT CUSTOMER DRAWING

DOCUMENT NUMBER	DOC TYPE	DOC PART	REVISION
465629310	PSD	000	A1