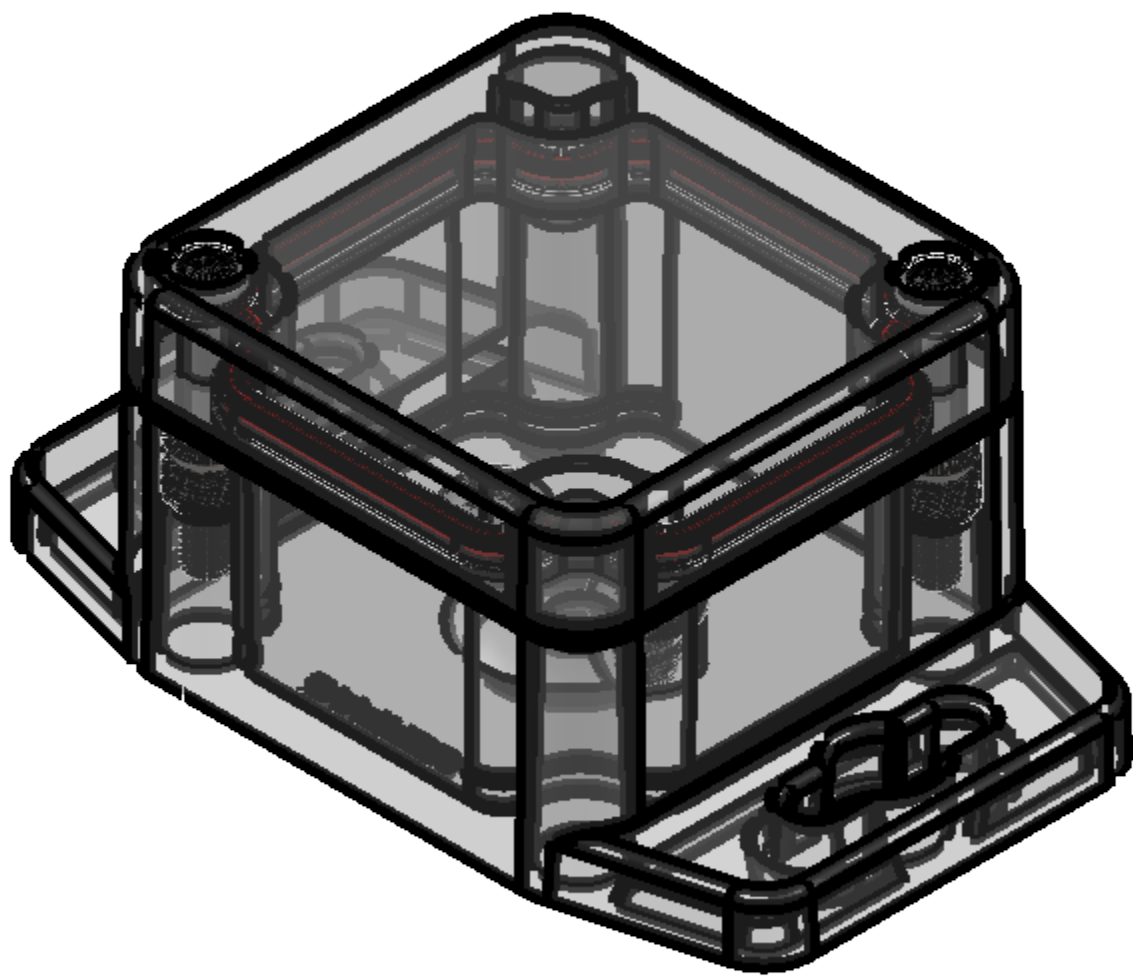
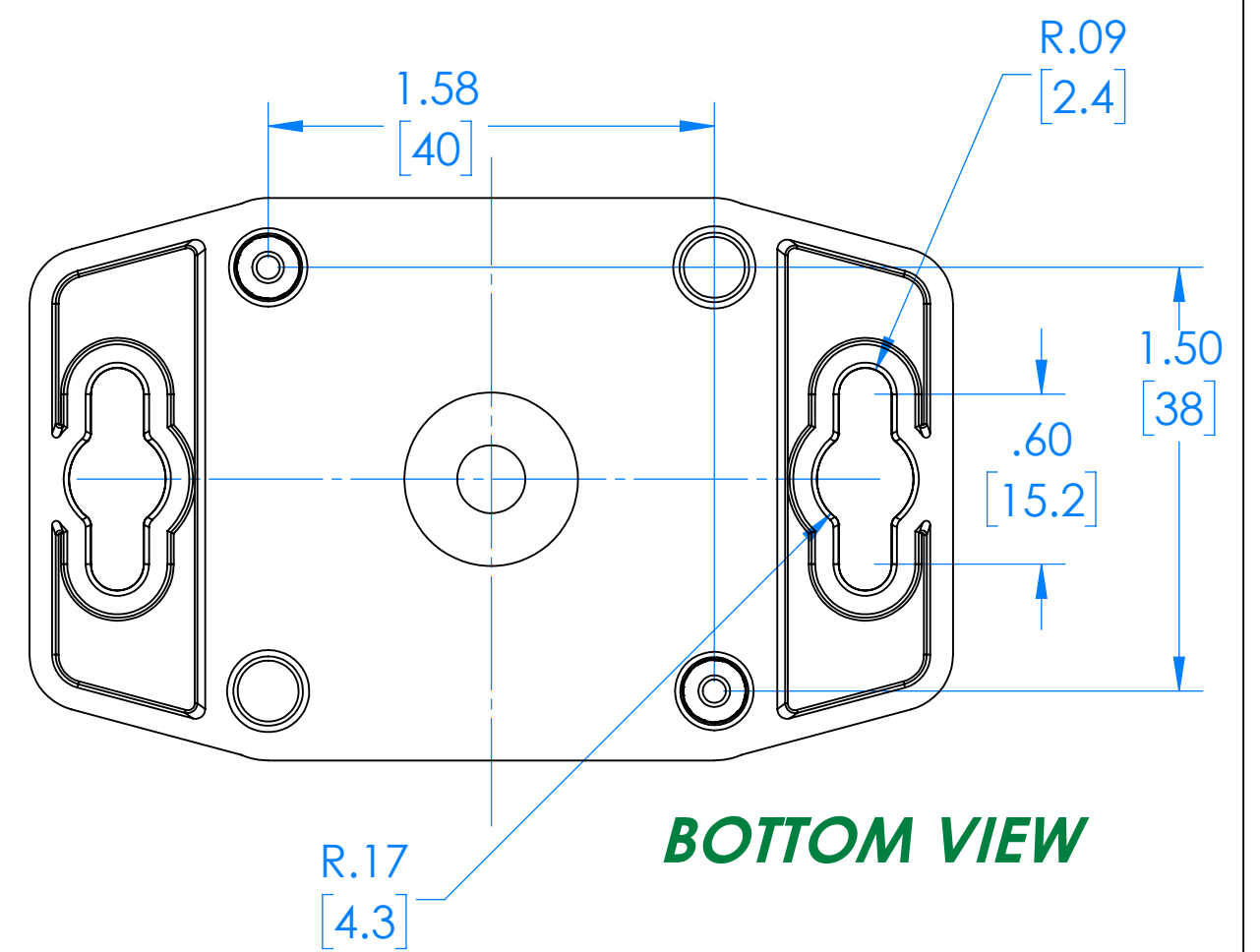
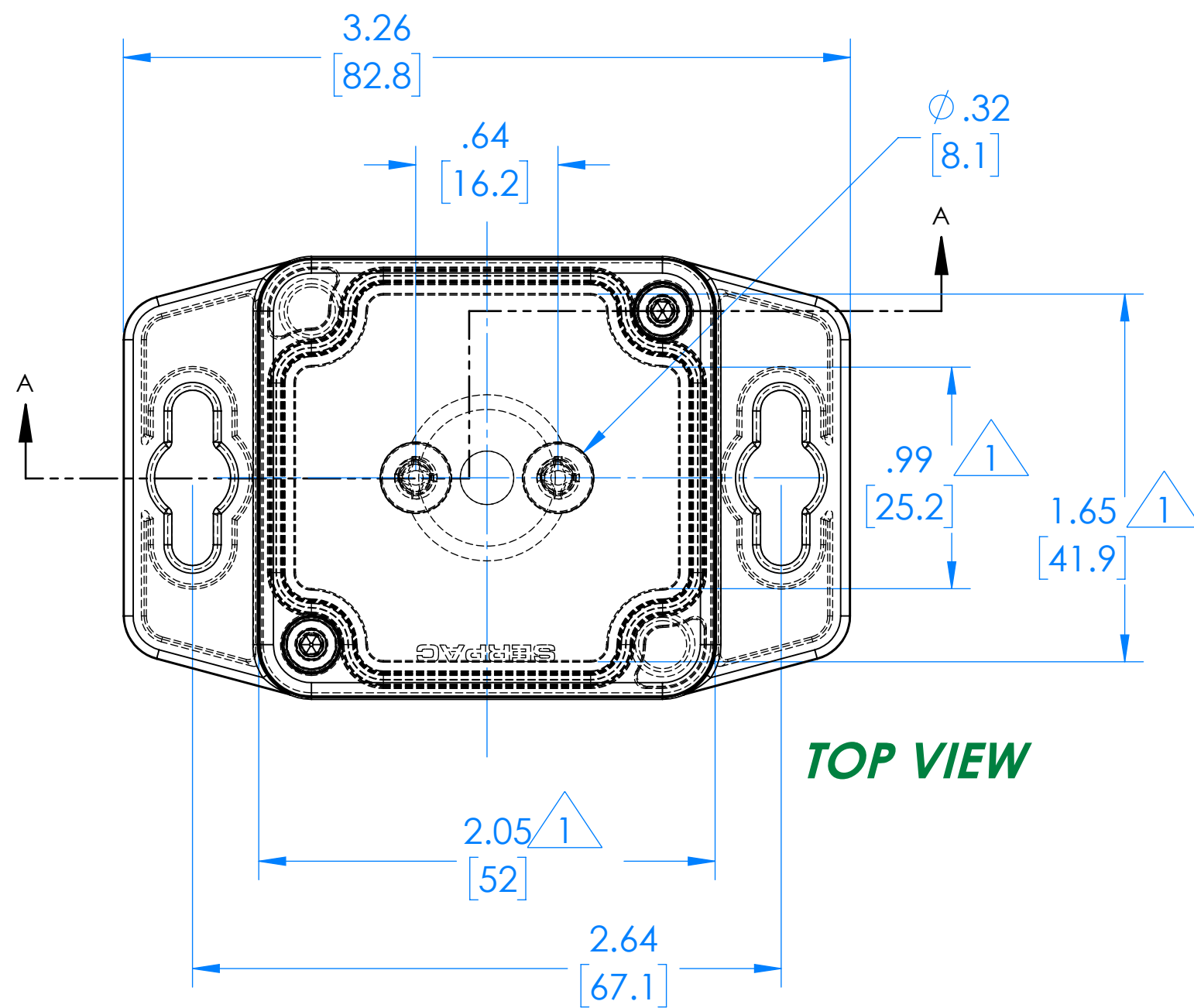
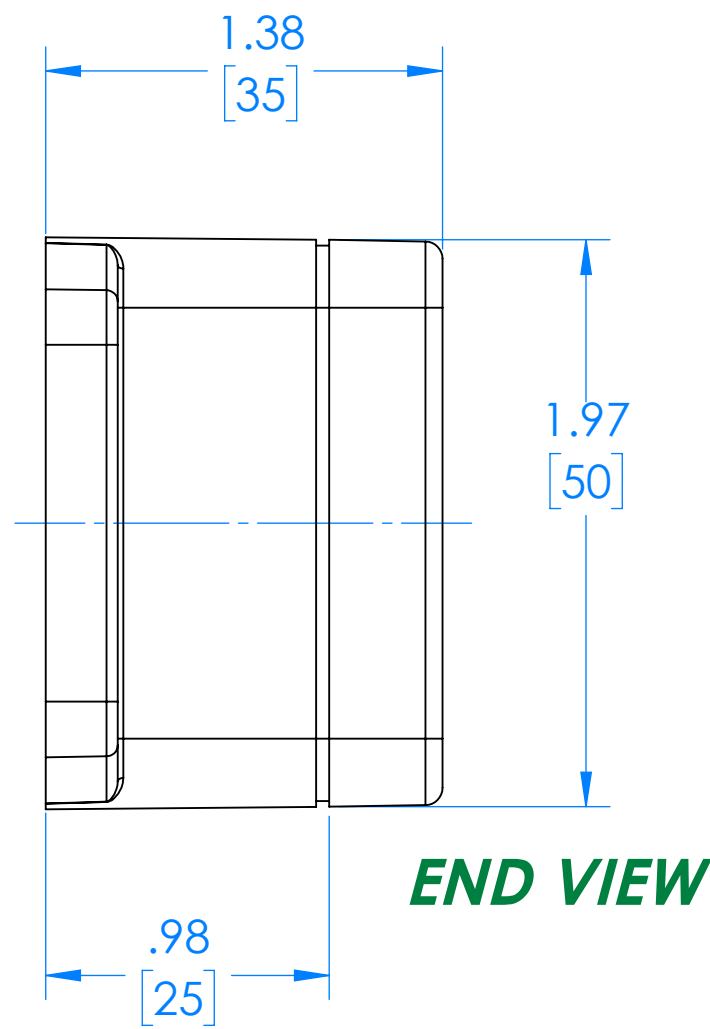
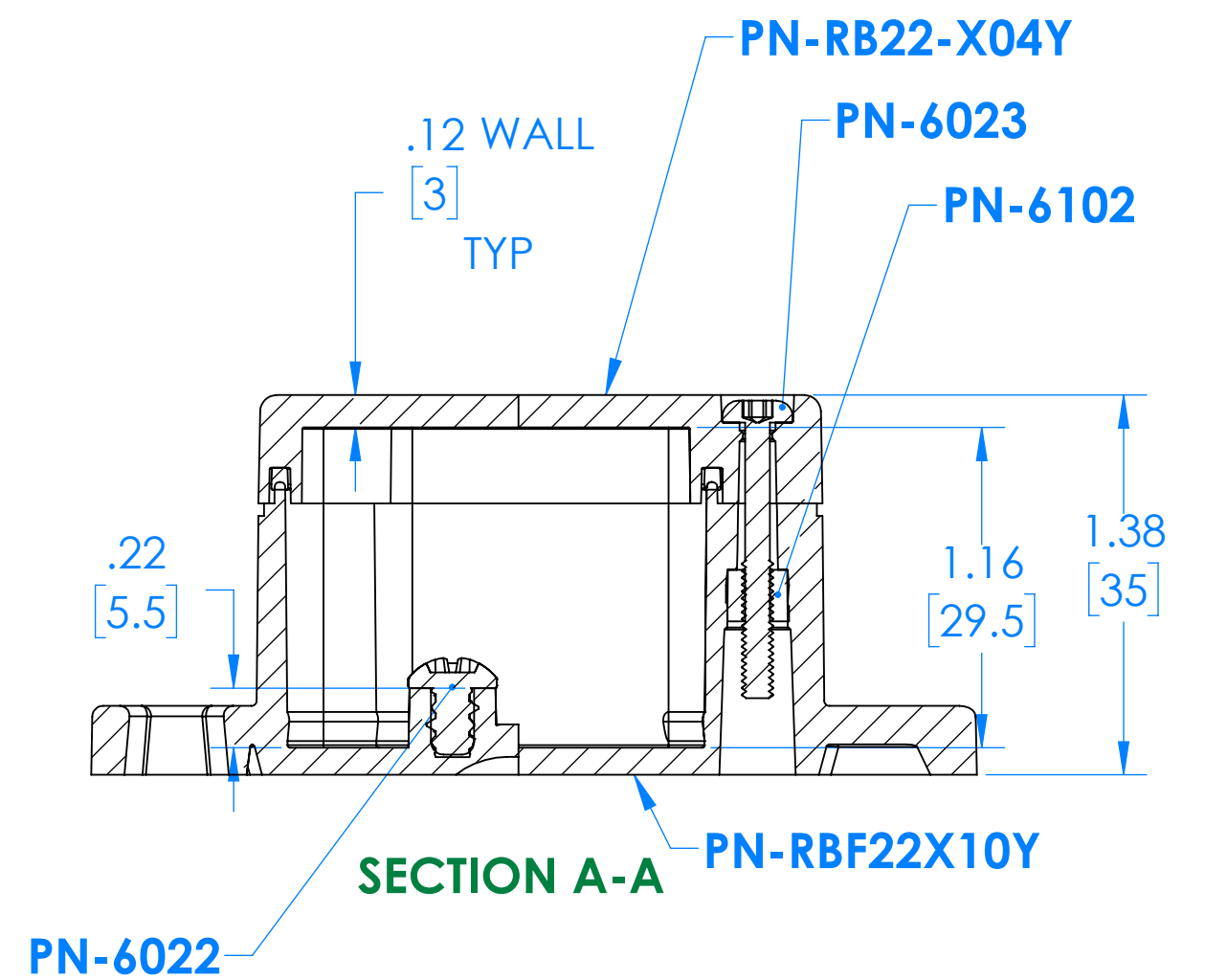
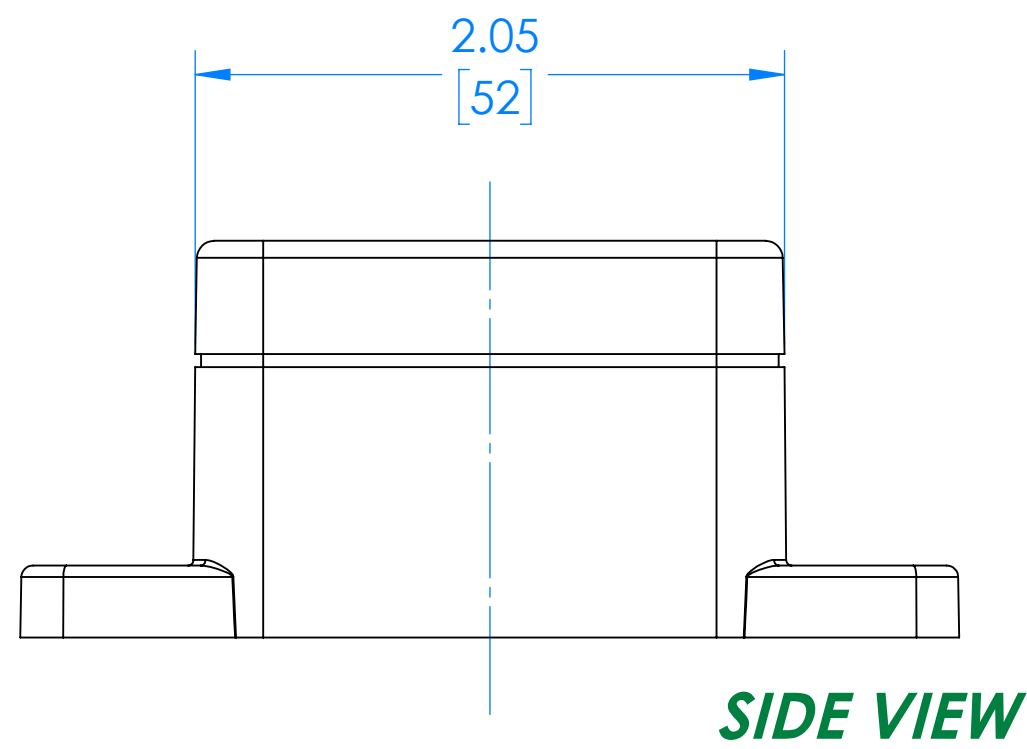


SERPAC Electronic Enclosures RBF22X04Y10Y

2



RBF22X04C10C 2
(Part shown, no material (X) specified)



PN	Description
RB22-X04Y	(1) RB22-X04Y, Top
RBF22X10Y	(1) RBF22X10Y, Bottom
8022	(1) RB22 O-Ring
6023	(4) #4-40 Torx 10 Hd Screw
6022	(4) #10 High/Low Pan Hd x 1/4"
6102	(4) #4-40 Threaded Insert

1 = INTERIOR DIMENSIONS (@ BOTTOM)

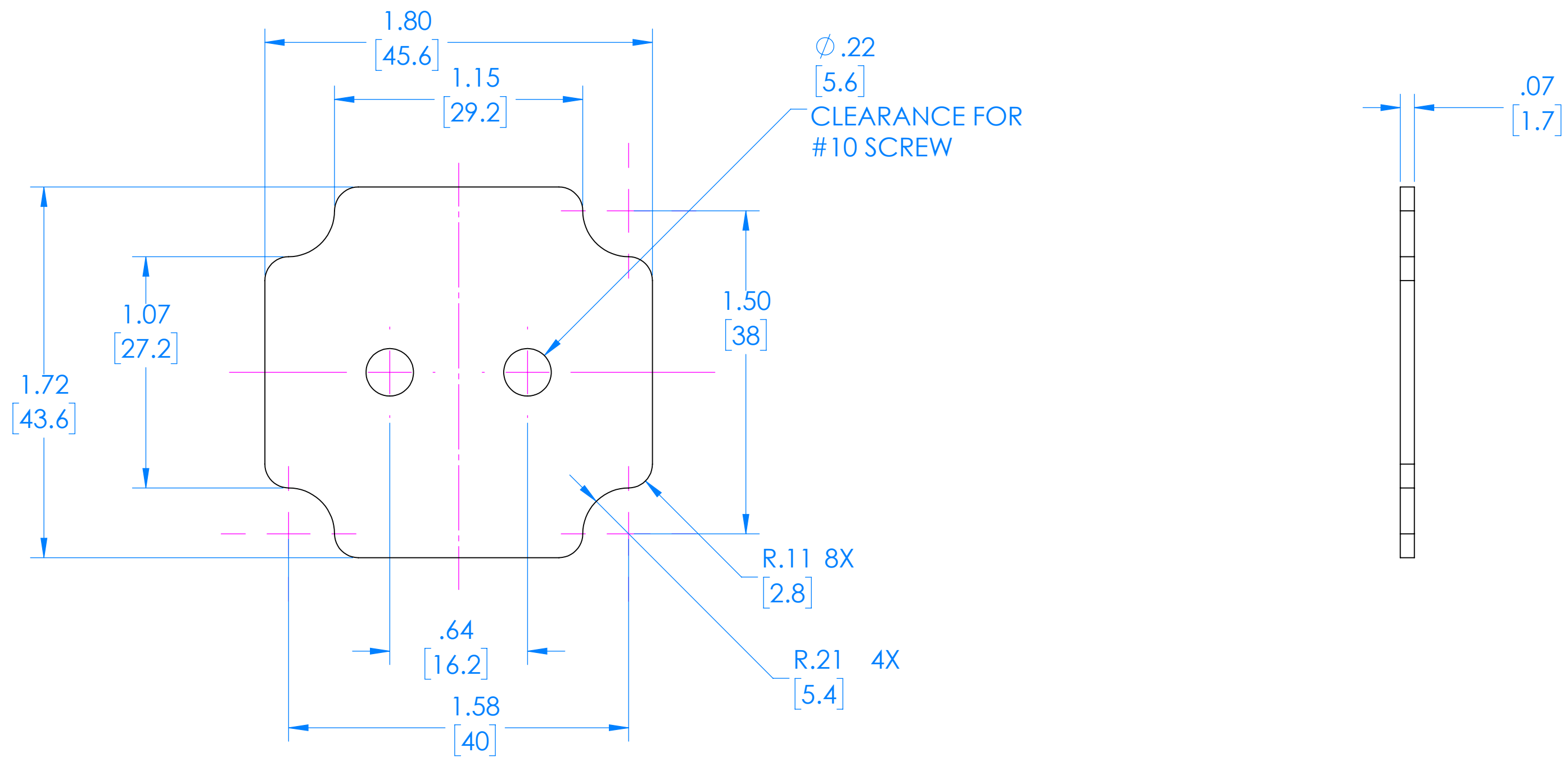
2 = STANDARD COLORS (Y) ARE: BLACK (B), CLEAR (C) AND GRAY (G)
TOPS AND BOTTOMS ALL POSSIBLE COMBINATIONS AVAILABLE
STANDARD MATERIALS (X) ARE: POLYCARBONATE (P) AND ABS (A)

-Watertight enclosure meets or exceed Nema 4 and or IP67.

DIMENSIONS in Inch [mm]

SERPAC RBF22 Circuit Board (Fits all Parts starting with RBF22)

Electronic Enclosures



(REFERENCE ONLY)