

Customer Information Sheet

DRAWING No.: M80-023

SHEET 2 OF 2

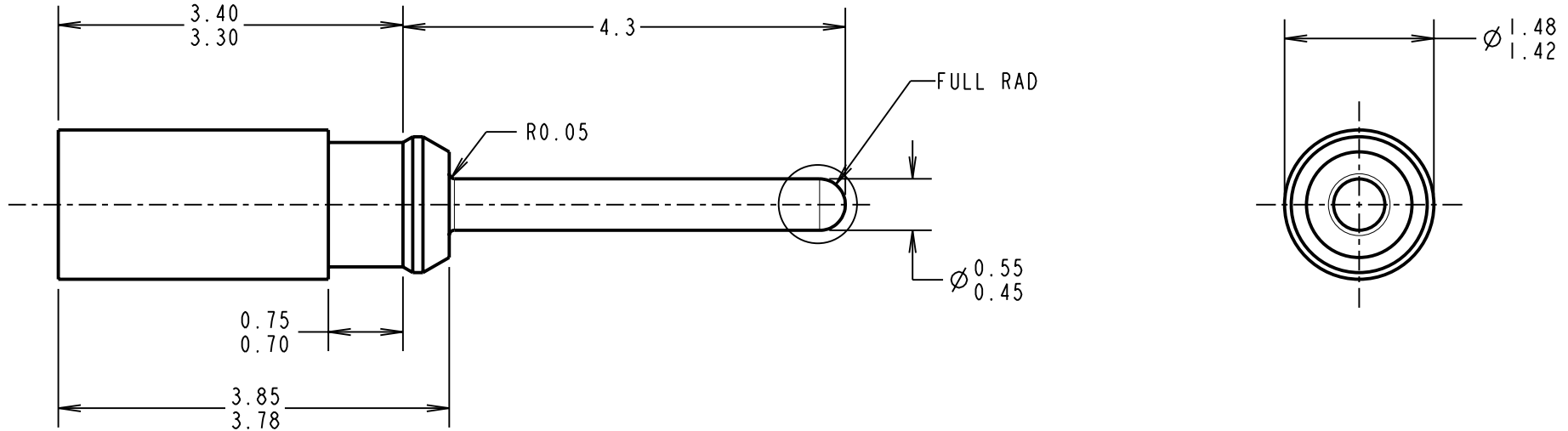
IF IN DOUBT - ASK

©

NOT TO SCALE

THIRD ANGLE PROJECTION

ALL DIMENSIONS IN mm



PART No.	FINISH
M80-0230000	UNPLATED
M80-023	1.25µ NICKEL

CP	6	07.07.09	10372
NAME	ISS.	DATE	C/NOTE
APPROVED: C. PENROSE			
CHECKED: R. ADDE			
DRAWN: P. D. COLLINS			
CUSTOMER REF.:			
ASSEMBLY DRG:			

NOTES:

- SUITABLE FOR USE IN ANY M80 FEMALE PC TAIL MOULDING AS A REPLACEMENT FOR A STANDARD CONTACT, TO GIVE ADDITIONAL POLARISATION.

HARWIN

HARWIN USA TEL: 603 893 5376 FAX: 603 893 5396 mis@harwin.com	HARWIN Europe (UK) TEL: 023 9231 4545 FAX: 023 9231 4590 mis@harwin.co.uk	HARWIN Asia TEL: +65 6 779 4909 FAX: +65 6 779 3868 mis@harwin.com.sg
--	--	--

THIS DRAWING AND ANY INFORMATION OR DESCRIPTIVE MATTER SET OUT HEREON ARE CONFIDENTIAL AND COPYRIGHT PROPERTY OF THE HARWIN GROUP AND MUST NOT BE DISCLOSED, LOANED, COPIED OR USED FOR MANUFACTURING, TENDERING OR FOR ANY OTHER PURPOSE WITHOUT THEIR WRITTEN PERMISSION.

TOLERANCES
 X. = ±1mm
 X.X = ±0.25mm
 X.XX = ±0.10mm
 X.XXX = ±0.01mm
 ANGLES = ±5°
 UNLESS STATED

MATERIAL:
 BRASS CW603N TO BS EN 12164
 (CuZn36Pb3)
FINISH: SEE TABLE
S/AREA: mm²

TITLE:
 P.C. TAIL CONTACT
 POLARISING DUMMY
DRAWING NUMBER:
 M80-023

SHT
 2
 OF 2