

Light is OSRAM

01.09.2021

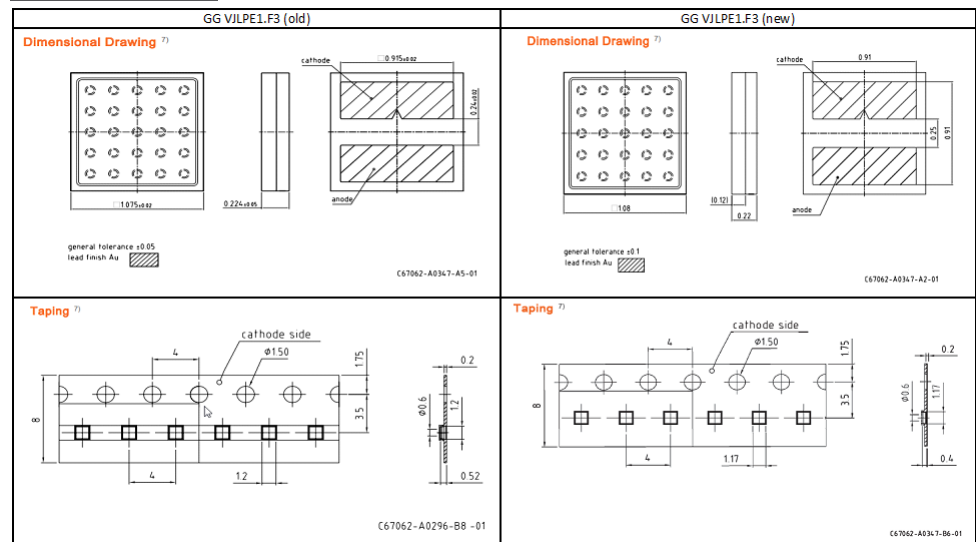
OS-IN-2021-012

Update of OSOLON[®] Pure 1010 Package and Tape & Reel Dimensions Information in Datasheet

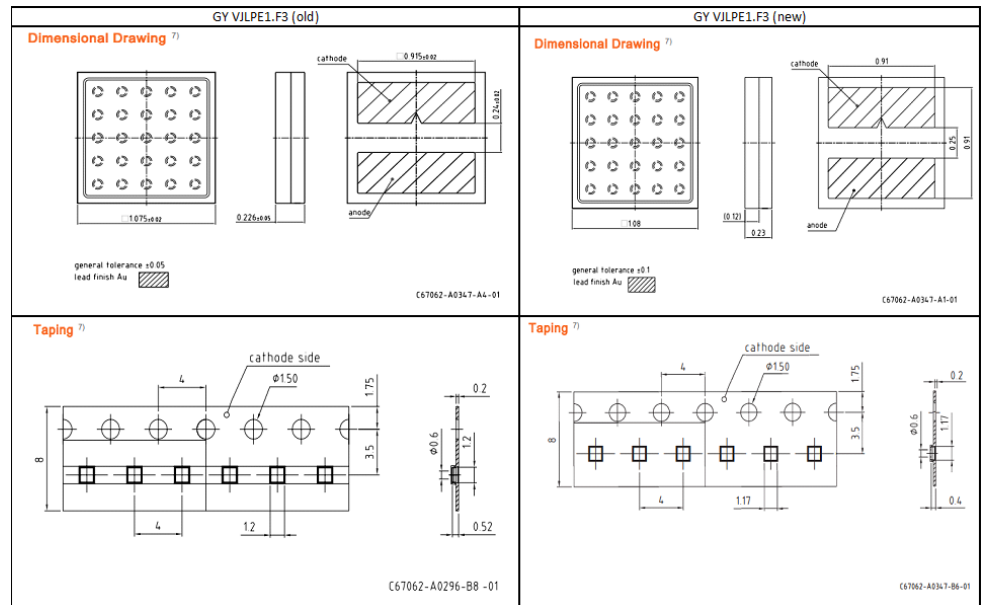
Objective	OSOLON [®] Pure 1010 Package and Tape & Reel dimensions updates.
Products affected	GG VJLPE1.F3 GY VJLPE1.F3 GR VJLPE1.F3
Background	1. Correction of package dimensions information. 2. Update of tape & reel dimensions with no impact to the technical specifications of the devices (GG VJLPE1.F3 & GY VJLPE1.F3 only).

Realization

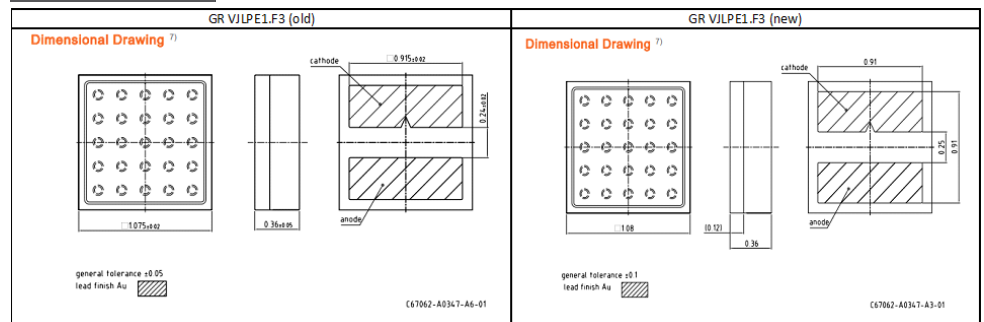
GG VJLPE1.F3



GY VJLPE1.F3



GR VJLPE1.F3



Time Schedule

Start of change: Datecode CW38/2021 onwards customer will start to receive shipments with new tape & reel dimensions (GG VJLPE1.F3 & GY VJLPE1.F3).

Assessment

The product datasheets will be updated and be available on ams OSRAM OS homepage.

Please direct your inquiry to your local Sales office.

OSRAM Opto Semiconductors GmbH

Head Office:

Leibnizstrasse 4
93055 Regensburg, Germany
Phone +49 941 850-5
Fax +49 941 850-1002
www.osram-os.com

