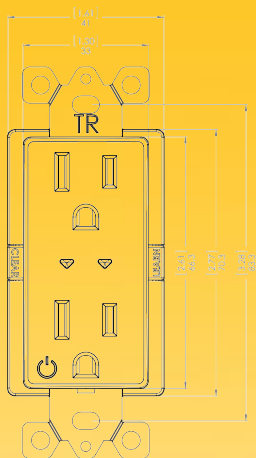
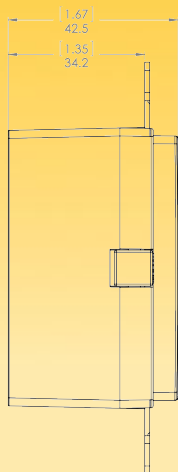


The Split Duplex Receptacle Outlet Controller provides a simple solution to meet energy codes without requiring complex changes to a facility. The controller can retrofit existing duplex receptacles simply and quickly, without the need for new wiring. The controller offers a duplex receptacle with a 15-amp relay switched outlet and a 15-amp constant-power outlet. Its auxiliary output allows for additional standard outlets to be controlled by its internal relay. Compatible with occupancy sensors, the outlet can be switched based on room occupancy, helping to meet the most stringent ASHRAE and California energy codes. The Split Duplex Controller mounts in a standard electrical box and will accept a decorator style face plate (not included). Arrow shaped LEDs provide permanent marking of the control outlet and users can choose to have the LEDs turned off.



Wires exit from the rear of the ERNR. Allow for additional space when selecting an electrical box



115 S State St, Suite B
Lindon, UT 84042

T: (801) 349-1200
F: (801) 614-7100
Sales@ILLUMRA.com

15 A Split Duplex Switched Receptacle 902 MHz

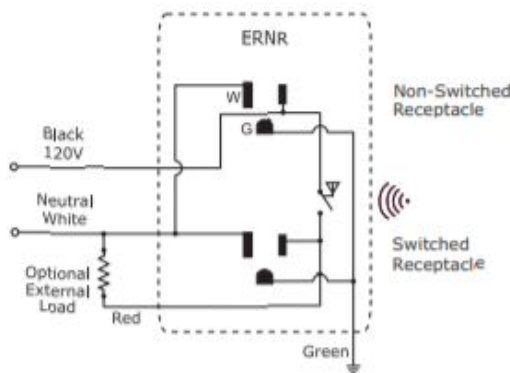
E9X-ERNR

- **Plug Load Control** - Link to motion sensors to automatically turn off outlets when office is unoccupied
- **Central Command support.** For BACnet Management System control
- **Interoperable.** Communicates wirelessly with other devices using the EnOcean wireless standard.



EE9X-ERNR

WIRING DIAGRAM



SPECIFICATIONS

Power Supply	120 VAC
Power Consumption	2.5 W max. full load
Output Load Types	N.O. Relay rating 15A@ 120VAC 2 x LEDs, Learn (green) and Power(red)
RF Communications	EnOcean® Protocol 902 MHz
EEP (EnOcean Equipment Profile)	EEP: F6-02-02 Light and Blinds Control EEP: A5-06-02 Light Sensor [range 0 - 1024 lux] EEP: A5-07-01 Occupancy Sensor EEP: F6-04-01 Key Card Activated Switch EEP: A5-30-02 Single Input Contact (doors and windows) EEP: A5-38-08 Central Command, switching (0x01), setpoint (0x03) EEP: A5-10-0A/0B Room Operating Panel EEP: D5-00-01 1BS Contact and Switches
Transmission Range	24 m (80 ft) - commercial office spaces (typical), up to 100m (330 ft) line of sight
Operational Temperature	-10 °C to 45 °C (14 °F to 113 °F) ambient
Relative Humidity	5% to 95% RH (non-condensing)
Dimensions	41.0 x 70.3 x 42.5 mm (1.61 x 2.77 x 1.67") Wires exit from the rear of the ERNR. Allow for additional space when selecting an electrical box
Agency Compliance	ETL, UL, FCC, & IC compliant