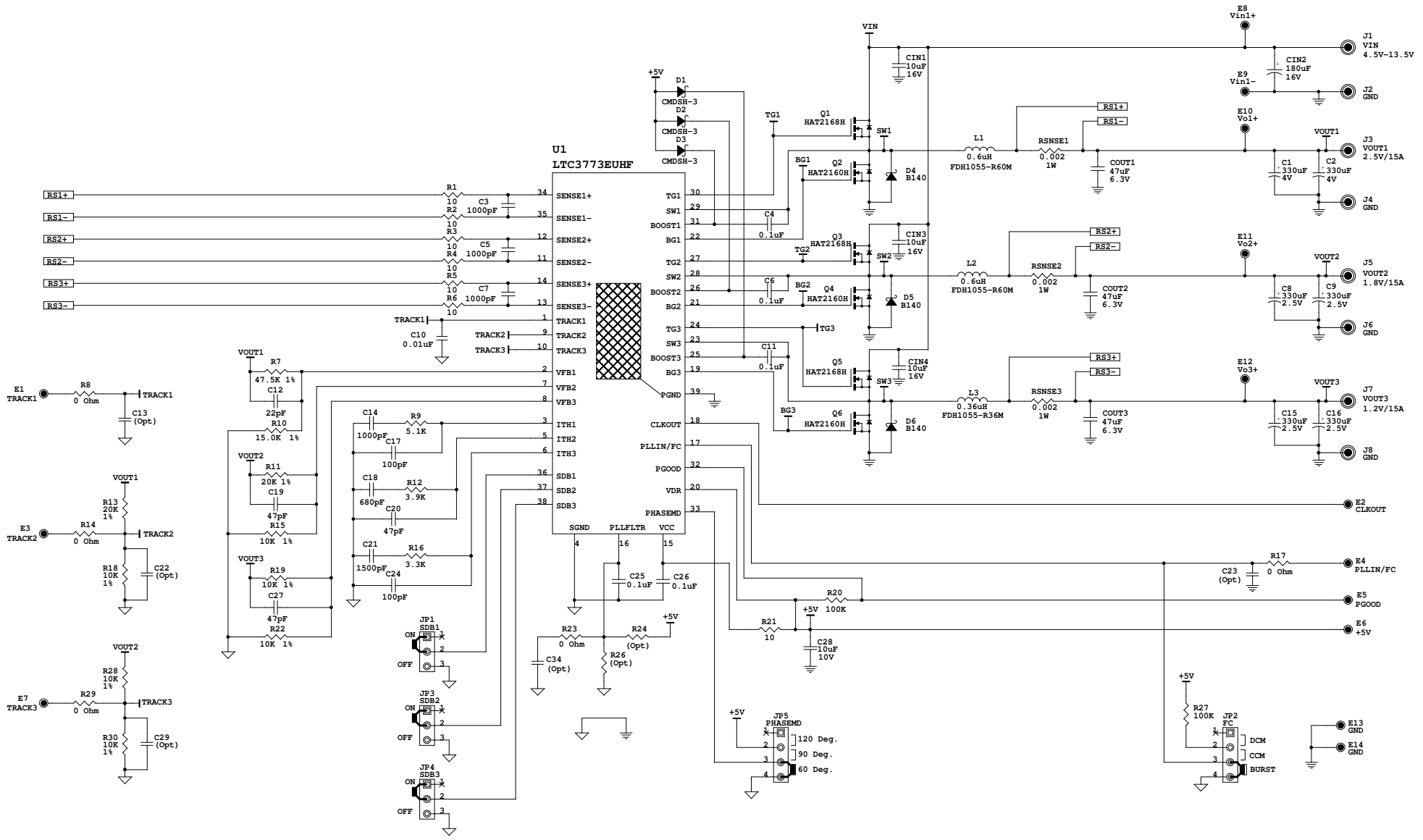


REVISION HISTORY				
ECO	REV	DESCRIPTION	DATE	APPROVED
	0	1st PROTOTYPE	<DATE>	<APPROVED>
	2	Value change: C12,C19,C27,C24,R9 & R16	8/23/06	Henry Zhang
	3	Value change: C14,C18,C21,C24,R9,R12 & R16	10/23/06	Henry Zhang



ASSEMBLY OPTION FOR OUTPUT TRACKING

Vout1, Vout2, Vout3	Populate	Do Not Populate
Tracking	R13, R14, R18, R28, R29, R30	C13, C22, C29
No Tracking	C13, C22, C29	R13, R14, R18, R28, R29, R30

C:\ORCADWIN\CAPTURE\ARCHIVE\913A\913A_00_REV3.DSN

This circuit is proprietary to Linear Technology and supplied for use with Linear Technology parts.

Customer Notice: Linear Technology has made a best effort to design a circuit that meets customer-supplied specifications; however, it remains the customers responsibility to verify proper and reliable operation in the actual application. Component substitution and printed circuit board layout may significantly affect circuit performance or reliability. Contact Linear Applications Engineering for assistance.

APPROVALS	
DRAWN: Rudy Bautista	ENGINEER: Henry Zhang
APPROVED:	CHECKED:

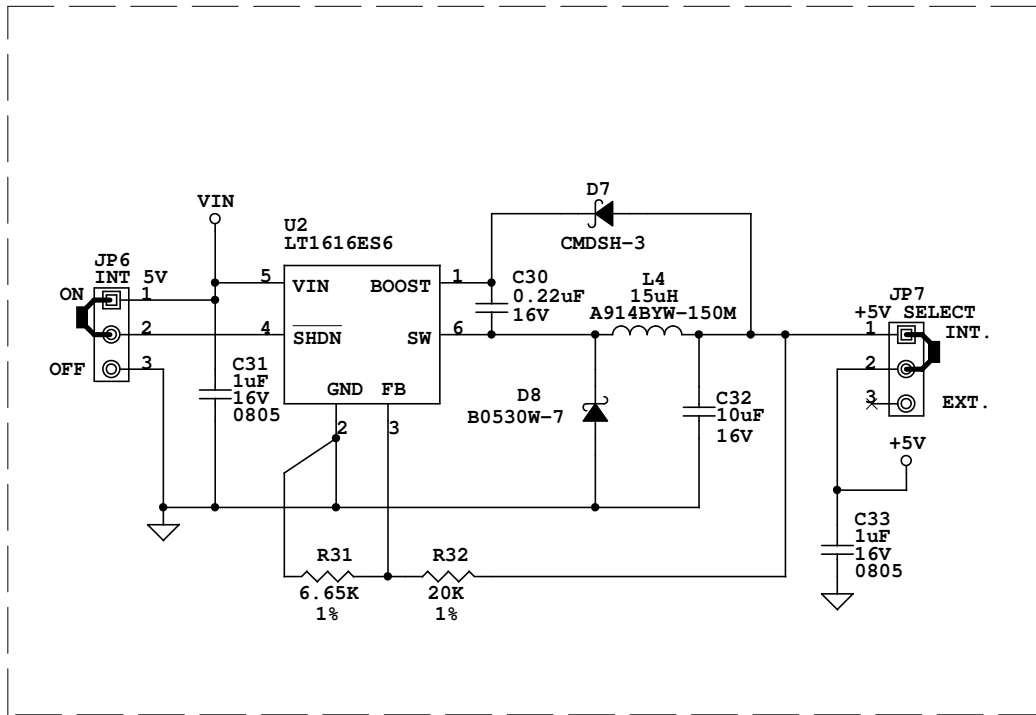
LINEAR TECHNOLOGY CORPORATION
 1630 McCARTHY BLVD
 MILPITAS, CA. 95035
 (408) 432-1900
 (408) 434-0507 (FAX)

www.linear.com
 LTC Confidential - For Customer Use Only

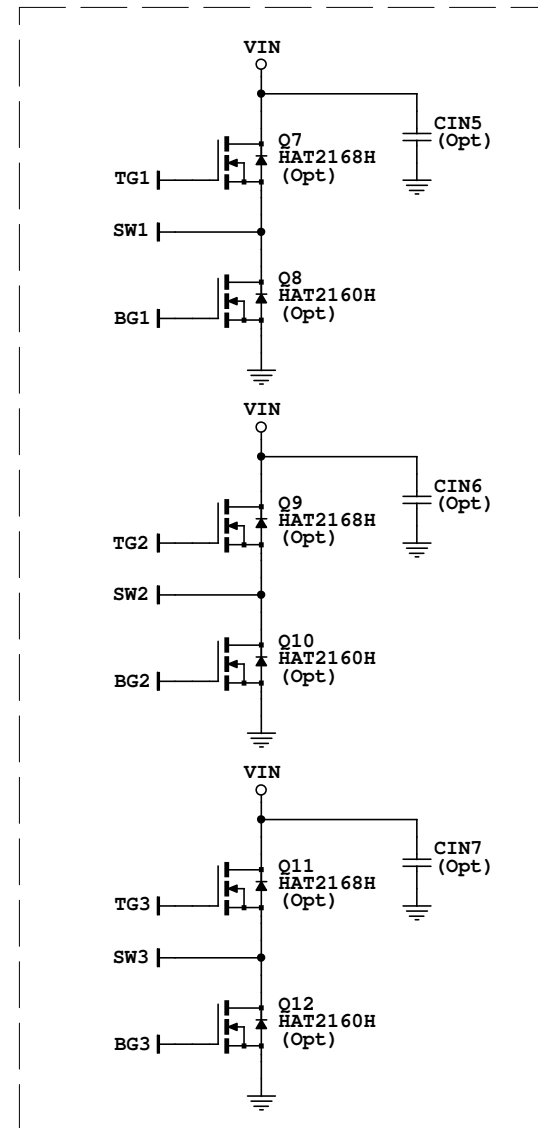
Polyphase 3-Output Step-Down Circuit with Tracking

Document Number: **DEMO CIRCUIT 913A**

Date: Thursday, October 26, 2006 Sheet 1 of 2



OPTIONAL +5V BIAS



OPTIONAL

This circuit is proprietary to Linear Technology and supplied for use with Linear Technology parts.
Customer Notice: Linear Technology has made a best effort to design a circuit that meets customer-supplied specifications; however, it remains the customer's responsibility to verify proper and reliable operation in the actual application. Component substitution and printed circuit board layout may significantly affect circuit performance or reliability. Contact Linear Applications Engineering for assistance.

APPROVALS		LINEAR TECHNOLOGY CORPORATION	
DRAWN: Rudy Bautista		1630 McCARTHY BLVD	
ENGINEER: Henry Zhang		MILPITAS, CA. 95035	
APPROVED:		(408) 432-1900	
CHECKED:		(408) 434-0507 (FAX)	
		www.linear.com	
		LTC Confidential -	
		For Customer Use Only	
Title: Polyphase 3-Output Step-Down Supply with Tracking			
Size: Document Number		Rev	
		DEMO CIRCUIT 913A	
Date: Thursday, October 26, 2006		Sheet 2 of 2	