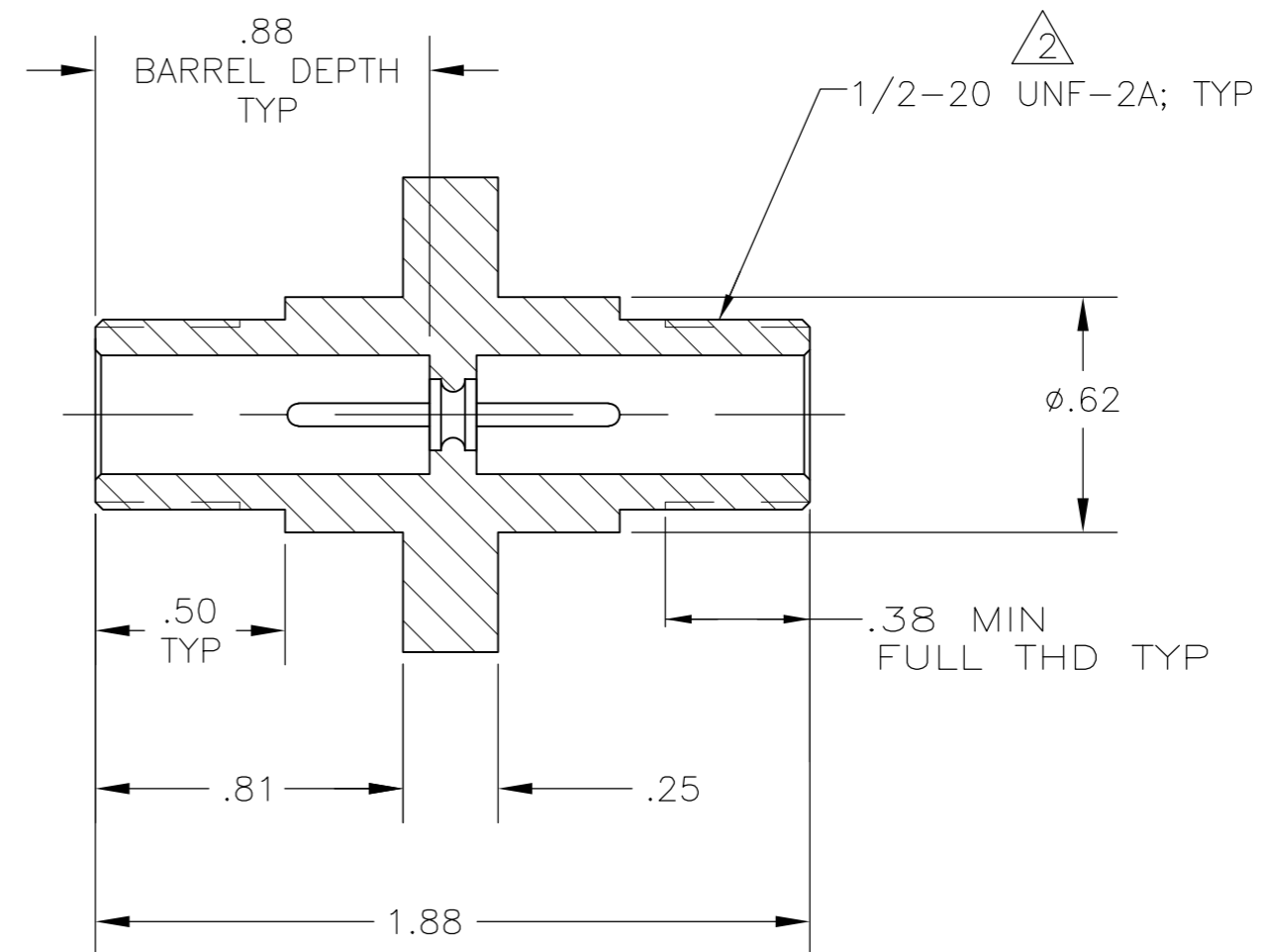
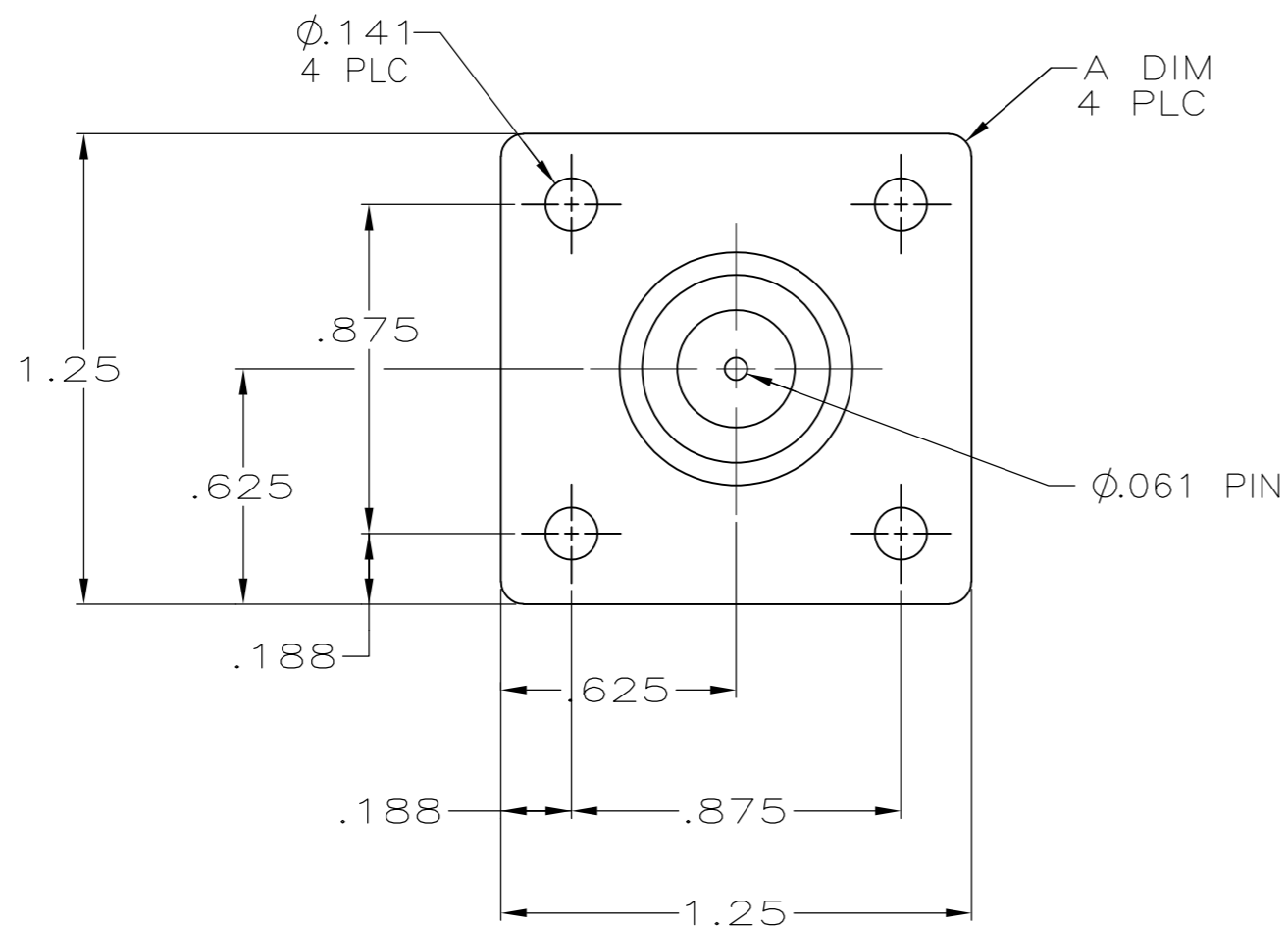


THIS DRAWING IS UNPUBLISHED. RELEASED FOR PUBLICATION  
 © COPYRIGHT - By - ALL RIGHTS RESERVED.

| LOC |     | DIST                  |  | REVISIONS |     |      |  |
|-----|-----|-----------------------|--|-----------|-----|------|--|
| P   | LTR | DESCRIPTION           |  | DATE      | DWN | APVD |  |
|     | J   | REV PER ECO-12-009413 |  | 25MAY12   | PY  | DE   |  |



1. RECEPTACLE TO MATE WITH AMP LGH-1. LEAD ASSEMBLY AVAILABLE SEPARATELY

$\triangle$  PER FEDERAL STANDARD H-28 3 WIRE METHOD. DIMENSION OVER WIRES TO BE .497-.510

|                            |            |           |          |
|----------------------------|------------|-----------|----------|
| AMP PART NO & CUST PART NO | TIN        | .12 X 45° | 846793-5 |
| AMP PART NO                | GOLD       | .03 R     | 846793-2 |
| AMP PART NO                | TIN        | .03 R     | 846793-1 |
| MARKING                    | PIN FINISH | A         | PART NO. |

| THIS DRAWING IS A CONTROLLED DOCUMENT. |  | DWN              | 10NOV11 | TE Connectivity                          |            |
|--|--|------------------|---------|--|------------|
| DIMENSIONS: INCHES                     |  | P. YEAGER        | 10NOV11 | NAME                                     |            |
| TOLERANCES UNLESS OTHERWISE SPECIFIED: |  | CHK              | 10NOV11 | RECEPTACLE ASSEMBLY, LGH-1, FEED-THROUGH |            |
| 0 PLC ± -                              |  | D. EABY          | 10NOV11 | SIZE                                     | CAGE CODE  |
| 1 PLC ± -                              |  | APVD             | 10NOV11 | A2                                       | 00779      |
| 2 PLC ± .02                            |  | D. EABY          | 10NOV11 | SCALE                                    | DRAWING NO |
| 3 PLC ± .005                           |  | PRODUCT SPEC     |         | 2:1                                      | C=846793   |
| 4 PLC ± -                              |  | APPLICATION SPEC |         | SHEET                                    | 1 OF 1     |
| ANGLES ± -                             |  | WEIGHT           | -       | REV                                      | J          |
| FINISH                                 |  | CUSTOMER DRAWING |         |  |            |
| MATERIAL                               |  |                  |         |  |            |
| GLASS EPOXY (MOLDED)                   |  |                  |         |  |            |
| BLACK                                  |  |                  |         |  |            |