

PLEASE CHECK WWW.MOLEX.COM FOR LATEST PART INFORMATION

Part Number: **0751941001**
Status: **Active**
Overview: VHDM® L-Series Backplane Connectors
Description: VHDM® L-Series Single-Ended Board-to-Board Backplane Header, 2.00mm Pitch, Vertical, 6-Row, Open Signal Module, 60 Circuits, Pin Length 4.75m, Lead-Free

Documents:

[Drawing \(PDF\)](#) [Packaging Specification PK-74057-003 \(PDF\)](#)
[Product Specification PS-74031-999 \(PDF\)](#) [RoHS Certificate of Compliance \(PDF\)](#)

General

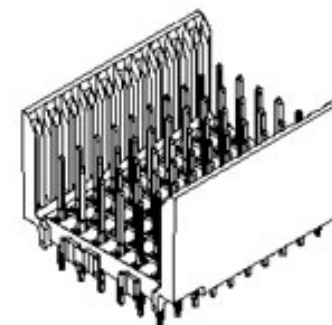
| | |
|-------------------------------|-------------------------------------|
| Product Family | Backplane Connectors |
| Series | 75194 |
| Application | Backplane |
| Application Tooling Documents | TM-622010999 |
| Comments | Open Header |
| Component Type | PCB Header |
| Overview | VHDM® L-Series Backplane Connectors |
| Product Name | VHDM® L-Series |
| UPC | 756054732410 |

Physical

| | |
|--------------------------------|--------------------------------|
| Circuits (Loaded) | 60 |
| Circuits (maximum) | 60 |
| Color - Resin | Black |
| Durability (mating cycles max) | 200 |
| First Mate / Last Break | No |
| Guide to Mating Part | No |
| Keying to Mating Part | None |
| Material - Metal | High Performance Alloy (HPA) |
| Material - Plating Mating | Gold |
| Material - Plating Termination | Tin |
| Material - Resin | High Temperature Thermoplastic |
| Net Weight | 2.498/g |
| Number of Columns | 10 |
| Number of Pairs | Open Pin Field |
| Number of Rows | 6 |
| Orientation | Vertical |
| PC Tail Length | 2.50mm |
| PCB Locator | No |
| PCB Retention | Yes |
| PCB Thickness - Recommended | 1.80mm |
| Packaging Type | Tube |
| Pitch - Mating Interface | 2.00mm |
| Pitch - Termination Interface | 2.00mm |
| Plating min - Mating | 0.762µm |
| Plating min - Termination | 0.762µm |
| Polarized to PCB | Yes |
| Surface Mount Compatible (SMC) | Yes |
| Temperature Range - Operating | -55°C to +105°C |
| Termination Interface: Style | Through Hole - Compliant Pin |

Electrical

| | |
|-------------------------------|------------------|
| Current - Maximum per Contact | 2.0A |
| Data Rate | 622.0 Mbps |
| Voltage - Maximum | 120V AC (RMS)/DC |



Series image - Reference only

EU ELV

Not Relevant

EU RoHS

Compliant

China RoHS

REACH SVHC

Not Contained Per -
ED/21/2016 (20 June
2016)

Halogen-Free

Status

Low-Halogen

Need more information on product environmental compliance?

Email productcompliance@molex.com
Please visit the [Contact Us](#) section for any non-product compliance questions.

China ROHS
ELV

Green Image
Not Relevant

Search Parts in this Series

75194 Series

Mates With

75189 VHDM® L-Series Board-to-Board Daughtercard

Use With

Daughtercard Modules

Application Tooling | FAQ

Tooling specifications and manuals are found by selecting the products below. Crimp Height Specifications are then contained in the Application Tooling Specification document.

Global

Description

Product #

| | |
|--|----------------------------|
| Insertion Module for Advanced Mate Signal Header, 6- | 0622020207 |
|--|----------------------------|

Solder Process Data

Lead-free Process Capability N/A

Material Info**Reference - Drawing Numbers**

Packaging Specification PK-74057-003

Product Specification PS-74031-999

Sales Drawing SD-75194-001

Note: HDM, HDM+, VHDM, VHDM-HSD and GbX are trademarks or registered trademarks of Amphenol TCS.

| |
|--|
| Row by 10-Wide, 20.00mm Signal Pin Inserter <u>0622015700</u> Repair Tool |
|--|

This document was generated on 09/30/2016

PLEASE CHECK WWW.MOLEX.COM FOR LATEST PART INFORMATION