

- 1
- 2
- 3
- 4
- 5
- 6
- 7
- 8
- 9
- 10
- 11
- 12
- 13
- 14
- 15
- 16
- 17
- 18

KNOB

High-resilience polypropylene based (PP) technopolymer.

STANDARD EXECUTIONS

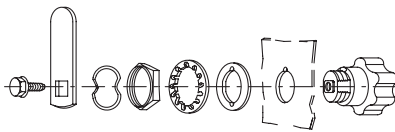
- Lock with stainless steel front plate, movement of the knob at 90°.
- Two nickel-plated brass keys, removable in two positions at 180° (locked or unlocked position).
- Opening to the right side (D) or left side (S).
- Stator and rotor in Zamac.
- Locking nut in brass.
- Spring washer in zinc-plated steel.
- Positioning washer in zinc-plated steel, thickness 1.2 mm to be welded to the metal sheet of the door for thin thickness.
- Flat closing lever in zinc-plated steel.
- **VC.308**: lock with 400 different combinations. Each lock has a key with different combination.
- **VC.308-U**: lock with one combination. All locks have the same combination and can be opened with the same key.
- **VC.308-M**: lock with 160 different combinations and master-key: each lock has a different combination and relative key. Two master-keys, which open all of them, are supplied for every purchase order.
- **VC.308-SS**: without lock. The knob can be used for opening both to the right or to left side.



ELESA Original design

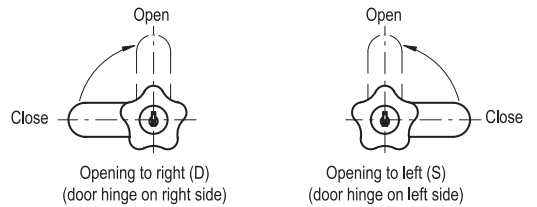
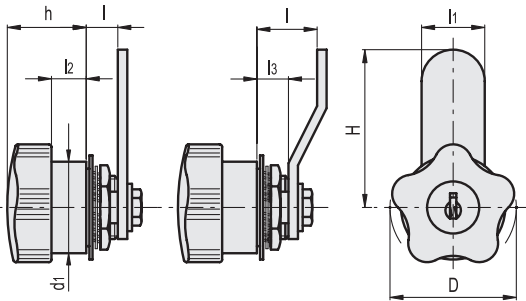
ACCESSORIES ON REQUEST

Threaded extension to position the closing lever with l=10 mm.

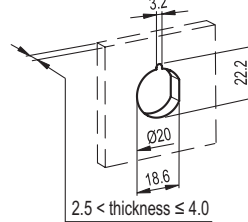


VC.308

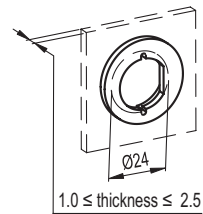
VC.309



Drilling template for direct fitting



Positioning washer (included in the supply) to be welded to the metal sheet of the door for thin thickness



METRIC

VC.308

Code	Description	D	H	l±0.5	l1	l2	h	d1	△
68101	VC.308/40-D	40	50	10	20	11	25	29	146
68102	VC.308/40-S	40	50	10	20	11	25	29	146

VC.308-U

68103	VC.308/40-UD	40	50	10	20	11	25	29	146
68104	VC.308/40-US	40	50	10	20	11	25	29	146

VC.308-M

68105	VC.308/40-MD	40	50	10	20	11	25	29	146
68106	VC.308/40-MS	40	50	10	20	11	25	29	145

VC.308-SS

68111	VC.308/40-SS	40	50	10	20	11	25	29	115
-------	--------------	----	----	----	----	----	----	----	-----