

1 Products affected

Product hierarchy no. *				Part no.	SBU	Type / Description	Customer part no.
SBU	PG	PGU	Type				
01	002	015	0000000667	3101.0070 3101.0070.D2 3101.0071 3101.0071.D2 3101.0075 3101.0075.D2 3101.0076 3101.0076.D2	Circuit Protection	FPG7	



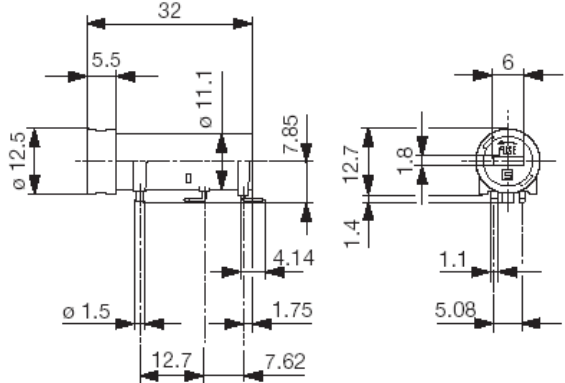
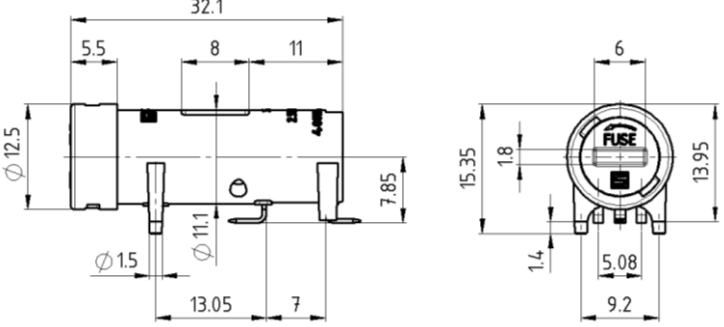
*SBU (2-digit) / PG (3-digit) / PGU (3-digit) / Type (10-digit)

2 Type of change

Product improvement: Added fixing pins to the socket of the fuseholder.

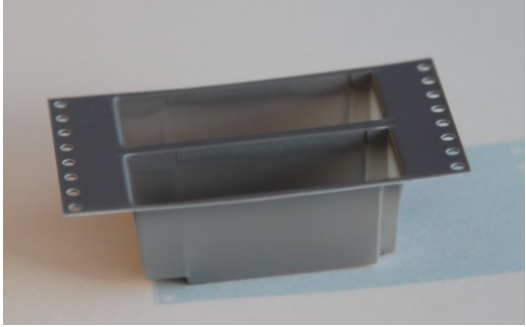
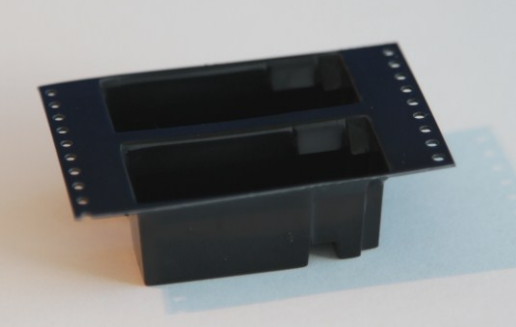
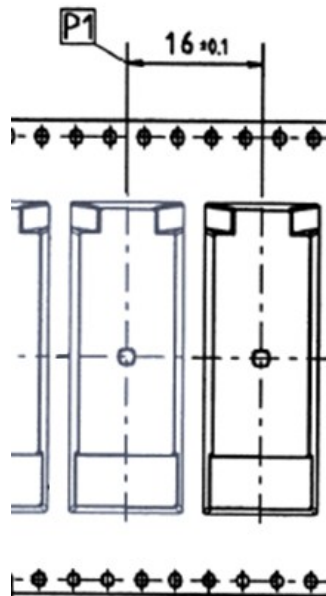
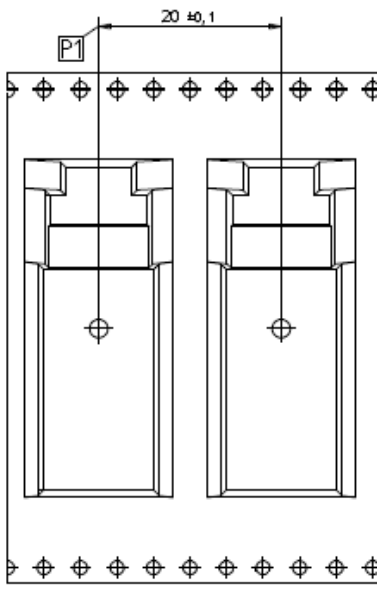
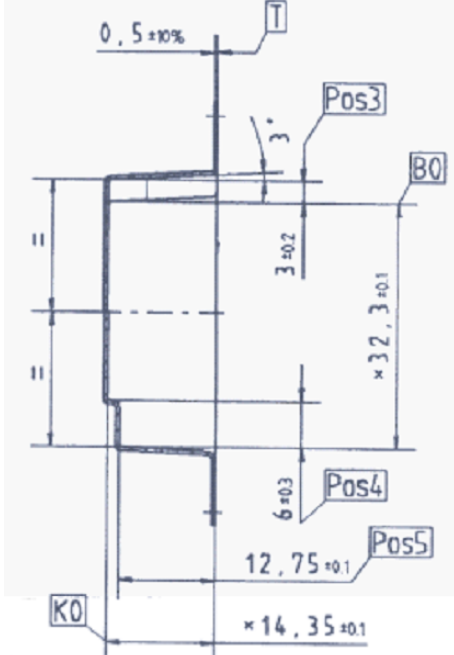
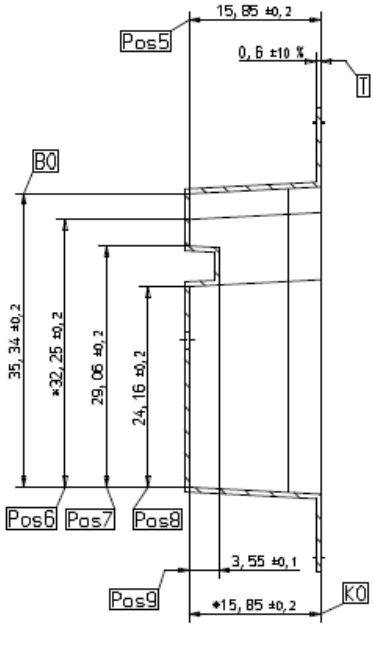
3 Detailed description of change

Fixing pins were added to the socket of the FPG7 fuseholder:

Old socket	New socket
	
	

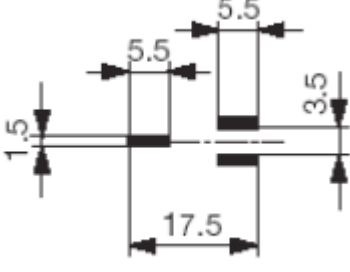
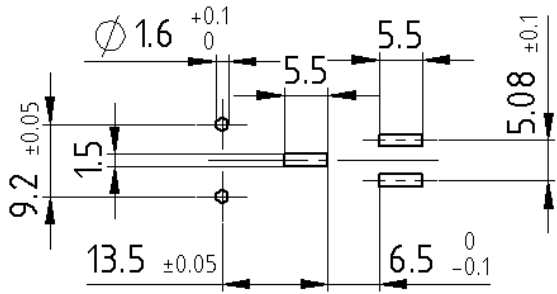
FPG7					0118.2175	
creation date	created by	release date	released by	notification no.	revision	page
2013-06-05	arnetja	2014-01-15	arnetja	25648	b	1 of 3

Change of packaging:

Old blister	New blister
	
	
	

FPG7					0118.2175	
creation date	created by	release date	released by	notification no.	revision	page
2013-06-05	arnetja	2014-01-15	arnetja	25648	b	2 of 3

Change of PCB Layout:

Old PCB layout	New PCB layout
	

4 Reason of change

Added fixing pins to the socket of the fuseholder for stabilisation during the reflow process and for minimization of the axial force on the solder pads while exchanging the fuse.

5 Released date

The change will come into effect on April 1st 2014 (date code 1413 or higher on label).

6 Impact of change and recommended action

Form: Yes
Fit: Yes
Function: No
Production Site: No
Product Label: No

7 Reference Documents / Attachments

Kind of document	Document number	Remarks
Data Sheet	FPG7	Web Link FPG7

FPG7					0118.2175	
creation date	created by	release date	released by	notification no.	revision	page
2013-06-05	arnetja	2014-01-15	arnetja	25648	b	3 of 3