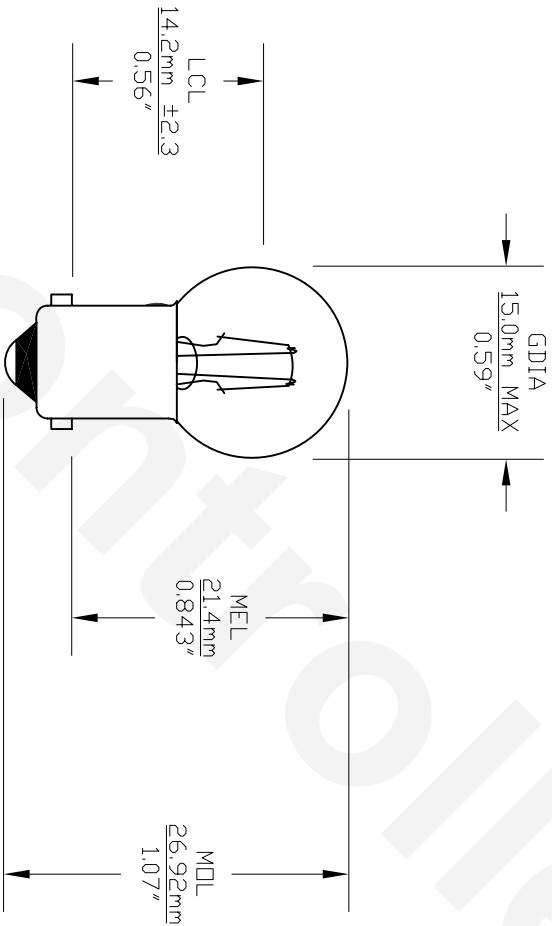


PART NO.	BASE TYPE	DESIGN VOLTS	DESIGN AMPS	MSCD	FILAMENT TYPE	AVERAGE LIFE HOURS
293	MINIATURE BAYONET BA9s	14.0	0.33 ±10%	2 ±20%	C-2F	7,500

BULB SHAPE: G4-1/2



REVISIONS			
REV	DESCRIPTION	DATE	APPROVED
1	ISSUED	09/25/2009	D.C.

UNLESS OTHERWISE SPECIFIED: DIMENSIONS ARE IN INCHES TOLERANCES				CEC INDUSTRIES LTD 599 BOND STREET LINCOLNSHIRE, IL 60069			
DECIMALS XX ± .05	ANGULAR ± 0.5°	DATE 09/25/2009	TITLE LIGHT BULB NO. 293	SIZE A	FSOM NO. 293	DWG NO. 293	REV 1
FRACTIONAL 1/84				SCALE	PLOT SCALE	SHEET 1	OF 1
DRAWN D.C.			FILE 293.dwg	DO NOT SCALE DRAWING			
CHECKED							
DESIGN							
MATERIAL							