

4

3

2

1

THIS DRAWING IS UNPUBLISHED.

RELEASED FOR PUBLICATION

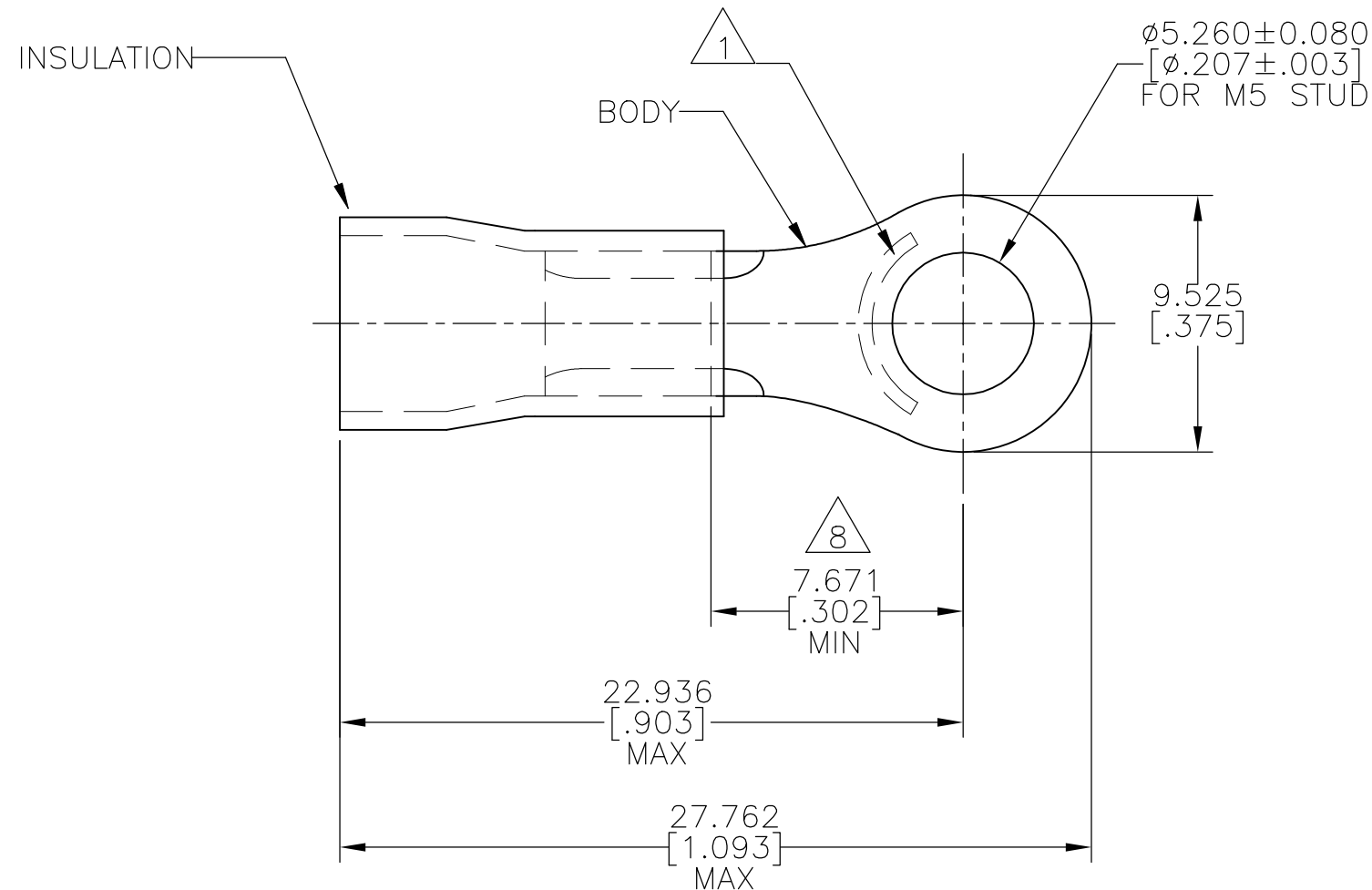
-,-

REVISIONS

© COPYRIGHT - TE Connectivity Ltd.

ALL RIGHTS RESERVED.

P	LTR	DESCRIPTION	DATE	DWN	APVD
	A	REV PER ECR 08-028314	19NOV08	JR	TM
	A1	REVISED PER ECO-17-014338	15MAY2018	RS	DR



- 1 STAMP "AMP 12-10*", LOCATION APPROX AS SHOWN.
- 2 WIRE INSULATION DIA 3.810-6.350 [.150-.252]
- 3 OPERATING TEMPERATURE 105°C [221°F] MAX
- 4 VOLTAGE RATING 600V MAX
- 5 CMA 2.62-6.64mm² [5,180-13,100]
- 6 MATERIAL:
BODY - COPPER PER ASTM B-152
INSULATION - PVC
- 7 FINISH:
BODY - TIN PL PER ASTM B-545
INSULATION - COLOR-YELLOW
- 8 APPLIES FROM EDGE OF METAL WIRE BARREL TO CENTER OF STUD HOLE.
- 9 BODY MATERIAL THICKNESS IS 0.991 ± 0.051 [.039 ± .002]

500	LOOSE PIECE	160292
QTY	PACKAGE TYPE	PART NO

THIS DRAWING IS A CONTROLLED DOCUMENT.		DWN jr ruth 19NOV08	TE TE Connectivity Ltd.	
DIMENSIONS: mm [INCHES]		CHK T MICHIELUTTI 19NOV08		
TOLERANCES UNLESS OTHERWISE SPECIFIED:		APVD T MICHIELUTTI 19NOV08	NAME TERMINAL RING TONGUE, PLASTI-GRIP, WIRE SIZE 12-10 AWG	
0 PLC ± - 1 PLC ± - 2 PLC ± - 3 PLC ± 0.127 [.005] 4 PLC ± - ANGLES ± 5°		PRODUCT SPEC -		
MATERIAL -		FINISH -	APPLICATION SPEC 114-2161	RESTRICTED TO -
		WEIGHT	SIZE A3	CAGE CODE 00779
		CUSTOMER DRAWING	DRAWING NO 160292	REV A1
			SCALE 4:1	SHEET 1 OF 1