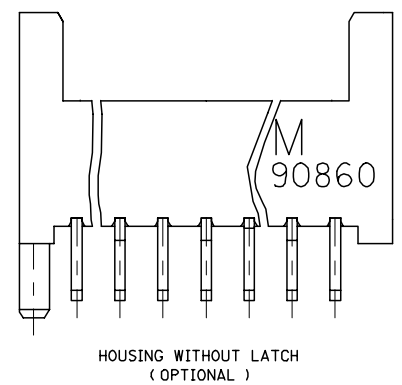
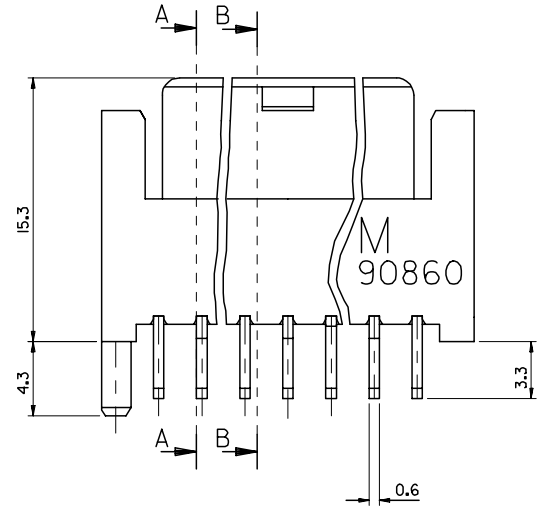
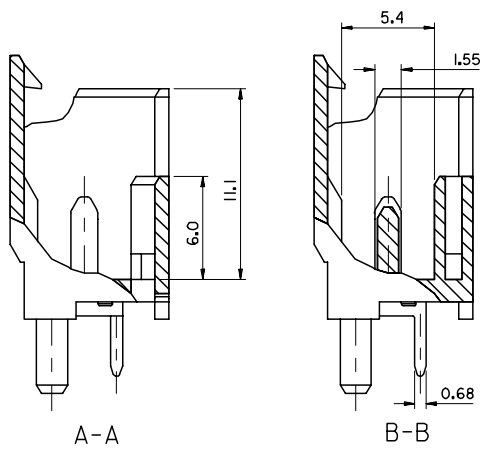
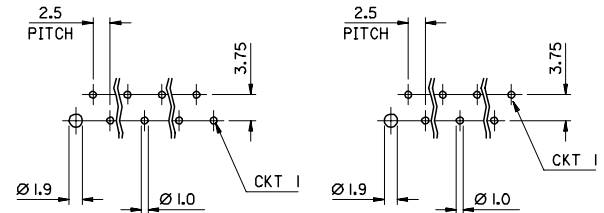
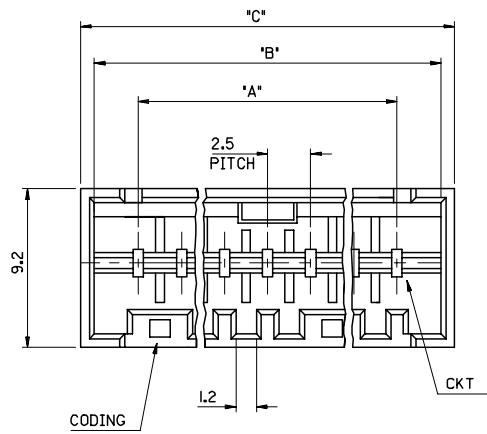


Ckt#	A	B	C
3	5.0	10.1	11.7
4	7.5	12.6	14.2
5	10.0	15.1	16.7
6	12.5	17.6	19.2
7	15.0	20.1	21.7
8	17.5	22.6	24.2
9	20.0	25.1	26.7
10	22.5	27.6	29.2
11	25.0	30.1	31.7
12	27.5	32.6	34.2
13	30.0	35.1	36.7
14	32.5	37.6	39.2
15	35.0	40.1	41.7
16	37.5	42.6	44.2
17	40.0	45.1	46.7
18	42.5	47.6	49.2
19	45.0	50.1	51.7
20	47.5	52.6	54.2



- NOTES :
- MATERIAL : HOUSING- POLYESTER (PBT), UL94 V-0
COLOR: SEE PART NO. CHARTS FOR COLOR
TERMINAL- BRASS
 - PLATING: TERMINAL - 5um TIN, OVER 2.5um NICKLE
 - PARTS PACKED AS PER ES-99039-0011
 - PRODUCT SPECIFICATION PS-99020-0040
 - RECOMMENDED PCB THICKNESS: 1.54mm

Note 5 Added EC NO: E2008-0068 DRAWN: GRADY 2007/08/24 CHKD: 2007/08/24 APPR: EGMADHONY 2007/08/24 REV DESCRIPTION	QUALITY SYMBOLS	GENERAL TOLERANCES (UNLESS SPECIFIED)	DIMENSION STYLE	SCALE	DESIGN UNITS	THIRD ANGLE PROJECTION																		
	$\blacktriangledown =$ $\blacktriangle =$	<table border="1"> <thead> <tr> <th></th> <th>mm</th> <th>INCH</th> </tr> </thead> <tbody> <tr> <td>4 PLACES</td> <td>± ---</td> <td>± ---</td> </tr> <tr> <td>3 PLACES</td> <td>± ---</td> <td>± ---</td> </tr> <tr> <td>2 PLACES</td> <td>± 0.05</td> <td>± ---</td> </tr> <tr> <td>1 PLACE</td> <td>± 0.10</td> <td>± ---</td> </tr> <tr> <td colspan="3">ANGULAR ±1/2°</td> </tr> </tbody> </table>		mm	INCH	4 PLACES	± ---	± ---	3 PLACES	± ---	± ---	2 PLACES	± 0.05	± ---	1 PLACE	± 0.10	± ---	ANGULAR ±1/2°			IN/MM	5:1	INCH	
		mm	INCH																					
	4 PLACES	± ---	± ---																					
3 PLACES	± ---	± ---																						
2 PLACES	± 0.05	± ---																						
1 PLACE	± 0.10	± ---																						
ANGULAR ±1/2°																								
			DRAWN BY: EF	DATE: 97/04/07	TITLE: RAST 2.5 VERTICAL MALE HEADER 2.5 PITCH																			
			CHECKED BY:	DATE:	MOLEX INCORPORATED																			
			APPROVED BY:	DATE:	MATERIAL NO.:	DOCUMENT NO. SDA-90860																		
			DRAFT WHERE APPLICABLE MUST REMAIN WITHIN DIMENSIONS		SEE CHART	SHEET NO. 1 OF 1																		
			THIS DRAWING CONTAINS INFORMATION THAT IS PROPRIETARY TO MOLEX INCORPORATED AND SHOULD NOT BE USED WITHOUT WRITTEN PERMISSION																					

5	B
4	B
3	C
2	A
1	D

MOLEX PART NO	CIRCUIT SIZE	COLOUR	BLOCKED POSITION KEYS	TERMINAL VOID POSITION	CONFIGURATION	REF	WITH LATCH	CONTACT PITCH
90860-4501	12	NATURAL	NONE	NONE		K00	YES	2.5
90860-4502	12	NATURAL	NONE	2, 5, 8, 11		K00	YES	2.5 / 5.0

MOLEX PART NO	CIRCUIT SIZE	COLOUR	BLOCKED POSITION KEYS	CONFIGURATION	REF	WITH LATCH	CONTACT PITCH
90860-7501	18	NATURAL	NONE		K00	YES	2.5

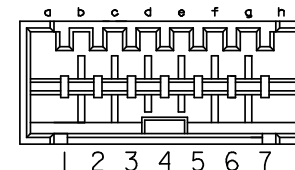
MOLEX PART NO	CIRCUIT SIZE	COLOUR	BLOCKED POSITION KEYS	CONFIGURATION	REF	WITH LATCH	CONTACT PITCH
90860-5001	13	NATURAL	NONE		K00	YES	2.5

MOLEX PART NO	CIRCUIT SIZE	COLOUR	BLOCKED POSITION KEYS	CONFIGURATION	REF	WITH LATCH	CONTACT PITCH
90860-8001	19	NATURAL	NONE		K00	YES	2.5

MOLEX PART NO	CIRCUIT SIZE	COLOUR	BLOCKED POSITION KEYS	CONFIGURATION	REF	WITH LATCH	CONTACT PITCH
90860-5501	14	NATURAL	NONE		K00	YES	2.5

MOLEX PART NO	CIRCUIT SIZE	COLOUR	BLOCKED POSITION KEYS	CONFIGURATION	REF	WITH LATCH	CONTACT PITCH
90860-8501	20	NATURAL	NONE		K00	YES	2.5

MOLEX PART NO	CIRCUIT SIZE	COLOUR	BLOCKED POSITION KEYS	CONFIGURATION	REF	WITH LATCH	CONTACT PITCH
90860-6001	15	NATURAL	NONE		K00	YES	2.5



CODING IDENTIFICATION
(7 CKT EXAMPLE SHOWN)
VIEW IN MATING DIRECTION

+ DENOTES VOIDED CIRCUIT
⊕ DENOTES LOADED CIRCUIT

MOLEX PART NO	CIRCUIT SIZE	COLOUR	BLOCKED POSITION KEYS	CONFIGURATION	REF	WITH LATCH	CONTACT PITCH
90860-6501	16	NATURAL	NONE		K00	YES	2.5

MOLEX PART NO	CIRCUIT SIZE	COLOUR	BLOCKED POSITION KEYS	CONFIGURATION	REF	WITH LATCH	CONTACT PITCH
90860-7001	17	NATURAL	NONE		K00	YES	2.5

Reviewed EC NO: E2008-0355 DRAWN: TOUR SH CHKD: BWAGUIRE APPR: BWAGUIRE 2008/02/04 2008/02/07 2008/02/07	QUALITY SYMBOLS	GENERAL TOLERANCES (UNLESS SPECIFIED)	DIMENSION STYLE	SCALE	DESIGN UNITS	THIRD ANGLE PROJECTION
	$\nabla=0$ $\nabla=0$	mm INCH 4 PLACES ± --- ± --- 3 PLACES ± --- ± --- 2 PLACES ± 0.05 ± --- 1 PLACE ± 0.10 ± --- ANGULAR ±1/2°	MM ONLY	1:1	METRIC	
			DRAWN BY DATE	DATE	TITLE	
			CHECKED BY DATE	DATE	RAST 2.5 VERTICAL MALE HEADER	
			APPROVED BY DATE	MOLEX INCORPORATED		
			MATERIAL NO.	DOCUMENT NO.	SHEET NO.	
			SEE CHARTS	SDA-90860	5 OF 5	
		DRAFT WHERE APPLICABLE MUST REMAIN WITHIN DIMENSIONS	THIS DRAWING CONTAINS INFORMATION THAT IS PROPRIETARY TO MOLEX INCORPORATED AND SHOULD NOT BE USED WITHOUT WRITTEN PERMISSION			