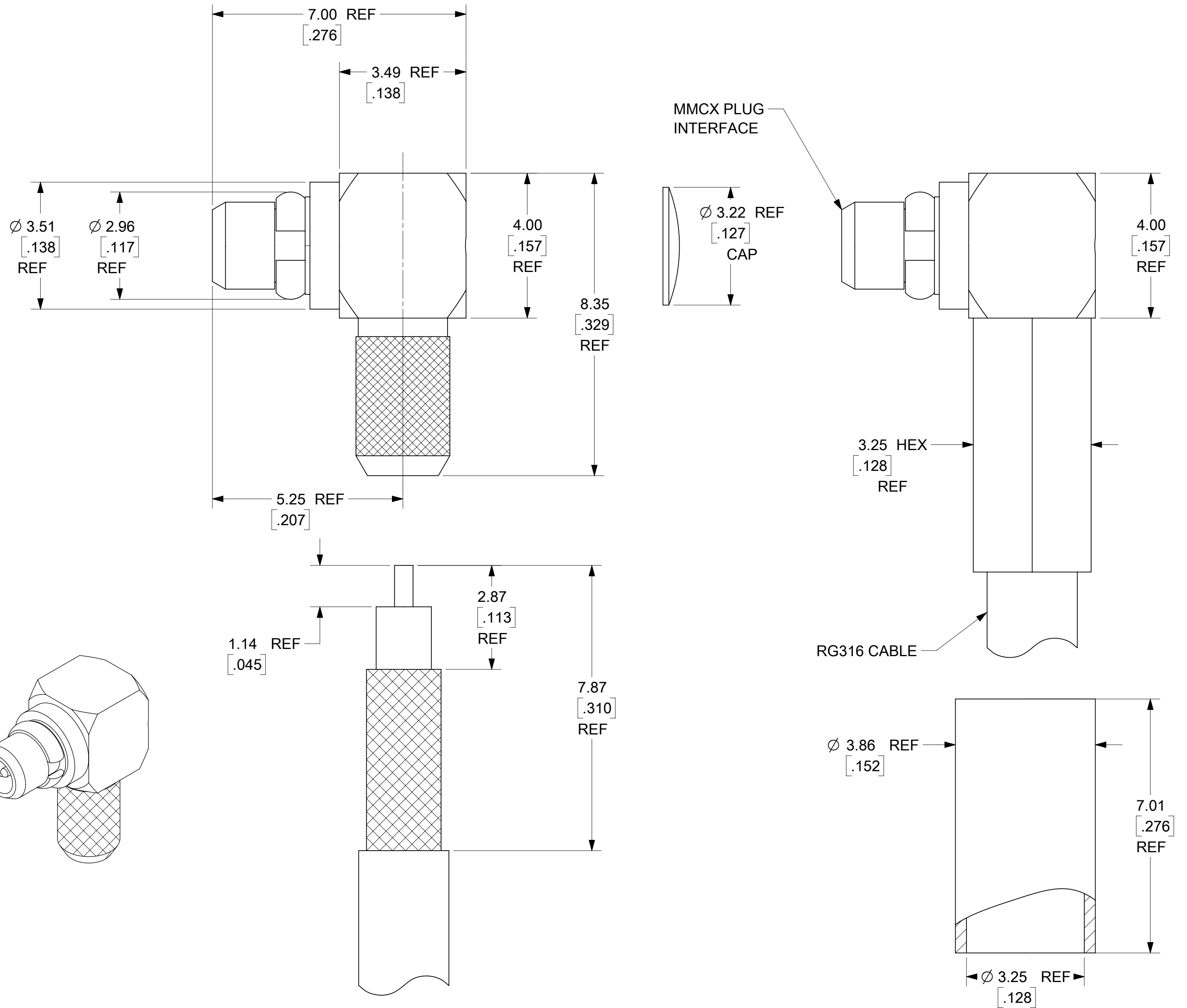
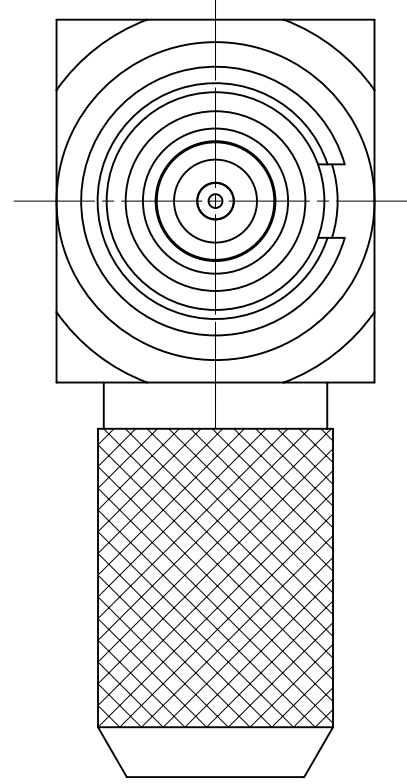


MATERIALS AND FINISHES:

BODY, CONTACT ,CAP, CRIMP TUBE: BRASS
FINISH: GOLD OVER NICKEL(SEE TABLE)

SNAP RING: BERYLLIUM COPPER
FINISH: GOLD OVER NICKEL(SEE TABLE)

INSULATOR: PTFE



CABLE STRIP DIMENSIONS

AS-89675-5070	CABLE ASSY INSTRUCTION
IEC-61169-52	INTERFACE
PS-89675-1920	ELECTRICAL/MECHANICAL
SPECIFICATION	DESCRIPTION

73415-1126	COMMERCIAL	BULK (BY BAG)
73415-1125	COMMERCIAL	BULK (BY BAG)
73415-1124	COMMERCIAL	BULK (BY TRAY)
73415-1123	COMMERCIAL	BULK (BY BAG)
73415-1122	COMMERCIAL	ONE PER BAG
73415-1121	COMMERCIAL	BULK (BY BAG)
73415-1120	MILITARY	BULK (BY BAG)
PART NO.	PLATING	PACKAGING

73415-1126	1 OVER 50	5 OVER 50	1 OVER 50	1 OVER 50	1 OVER 50
73415-1125	1 OVER 50	1 OVER 50	1 OVER 50	1 OVER 50	1 OVER 50
73415-1124	1 OVER 50	10 OVER 70	1 OVER 50	1 OVER 50	1 OVER 50
73415-1123	8 OVER 80	30 OVER 50	30 OVER 100	10 OVER 100	8 OVER 80
73415-1122	1 OVER 50	30 OVER 50	1 OVER 50	1 OVER 50	1 OVER 50
73415-1121	1 OVER 50	30 OVER 50	1 OVER 50	1 OVER 50	1 OVER 50
73415-1120	30 OVER 100	50 OVER 100	30 OVER 50	50 OVER 100	30 OVER NA

PART NO.	BODY (µ-in MIN)	CONTACT (µ-in MIN)	SNAP RING (µ-in MIN)	CAP (µ-in MIN)	CRIMP TUBE (µ-in MIN)
PLATING (GOLD OVER NICKEL)					

DOCUMENT STATUS	P1	RELEASE DATE	2020/12/10	07:06:38
-----------------	----	--------------	------------	----------

THIS DRAWING CONTAINS INFORMATION THAT IS PROPRIETARY TO MOLEX ELECTRONIC TECHNOLOGIES, LLC AND SHOULD NOT BE USED WITHOUT WRITTEN PERMISSION

FUNCTIONAL SYMBOLS: $F_A = 0$, $F_C = 0$, $F_D = 0$

DIVISIONAL SYMBOLS: 4 PLACES ±, 3 PLACES ±, 2 PLACES ±, 1 PLACE ±, 0 PLACES ±

ANGULAR TOL ± 2.0°

SCALE: 20:1

GENERAL TOLERANCES (UNLESS SPECIFIED): MM, INCH

CURRENT REV DESC: EWR-14225-A
CHG: JUSTIFY DIMENSION TO 7.87REF FROM .31REF

EC NO: 651081
DRWN: JSU18 2020/12/10
CHK'D: YCHENG 2020/12/10
APPR: YCHENG 2020/12/10

INITIAL REVISION:
DRWN: RFC_PLMIMP 2017/12/28
APPR: JWIENER 2005/12/22

THIRD ANGLE PROJECTION

DRAFT WHERE APPLICABLE MUST REMAIN WITHIN DIMENSIONS

C-SIZE

SERIES: 73415

DOCUMENT NUMBER: SD-73415-112

DOC TYPE: PSD

DOC PART: 001

REVISION: A13

MATERIAL NUMBER: SEE TABLE

CUSTOMER: SEE TABLE

SHEET NUMBER: 1 OF 1

molex

MMCX PLUG, R/A RG316
50 OHMS, MMCX-PC, EWR-11074

PRODUCT CUSTOMER DRAWING