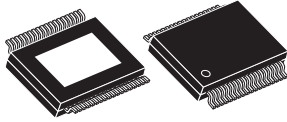


# Octal high-side smart power solid-state relay with serial/parallel selectable interface on-chip



PowerSSO-36 package  
with exposed pad down (EPD)

## Features

- Voltage operating range 10.5 V to 36 V
- UVLO with hysteresis
- Output current: 0.7 A or 1.0 A (VNI8200XP or VNI8200XP-32) per channel
- Low supply current in OFF (1 mA) and ON (5.3 mA) state
- 5 V and 3.3 V compatible I/Os
- Selectable interface on logic side SPI or parallel
- 5 MHz SPI (8 or 16-bits) with output enable, daisy chain and MCU freeze detection
- 100 mA DC-DC with integrated boot diode and adjustable output voltage
- 4x2 LED matrix for efficient outputs state LEDs driving
- Can drive all type (resistive, capacitive, inductive) of loads
- Per-channel overload and short-circuit protection
- Per-channel/independent overtemperature protection
- Fast demagnetization of inductive loads (Vout clamp)
- Overvoltage protection (VCC clamping)
- Loss of GND protection
- Power Good (supply voltage level) diagnostic
- Common fault open drain output
- IC warning temperature detection
- PowerSSO-36 (10.3 x 10.3 mm) package
- Designed to meet IEC61131-2, IEC61000-4-2, IEC61000-4-4 and IEC61000-4-5

### Product status link

[VNI8200XP](#)

[VNI8200XP-32](#)

### Product label



## Application

- Programmable logic control
- Industrial PC peripheral input/output
- Numerical control machines

## Description

The **VNI8200XP** and **VNI8200XP-32** are monolithic 8-channel drivers, designed in STMicroelectronics™ VIPower™ technology, intended to drive any kind of load with one side connected to ground. Both ICs operates from 10.5 V to 36 V and feature a very low supply current, parallel or 4-wires SPI control interface, 4x2 LED matrix and a micropower step-down switching regulator with peak current control loop mode.

The SPI interface (enabled by SEL2 pin = H) can work up to 5 MHz in 8-bits (SEL1 = L), or 16-bits (SEL1 = H) with parity check and extended diagnostic (DC-DC operation, Case over-temperature, SPI Communication Fail, Power Good) information. In SPI mode the daisy chain is allowed, both the OUT\_EN signal and the MCU freeze detection by watchdog are available. If enabled (WD\_EN voltage above 25% of VREG), the watchdog circuitry generates an internal reset on expiry of the internal watchdog timer. The watchdog timer reset can be achieved by applying a negative pulse on the WD pin. The watchdog timer can be programmed by the set voltage on WD\_EN pin.

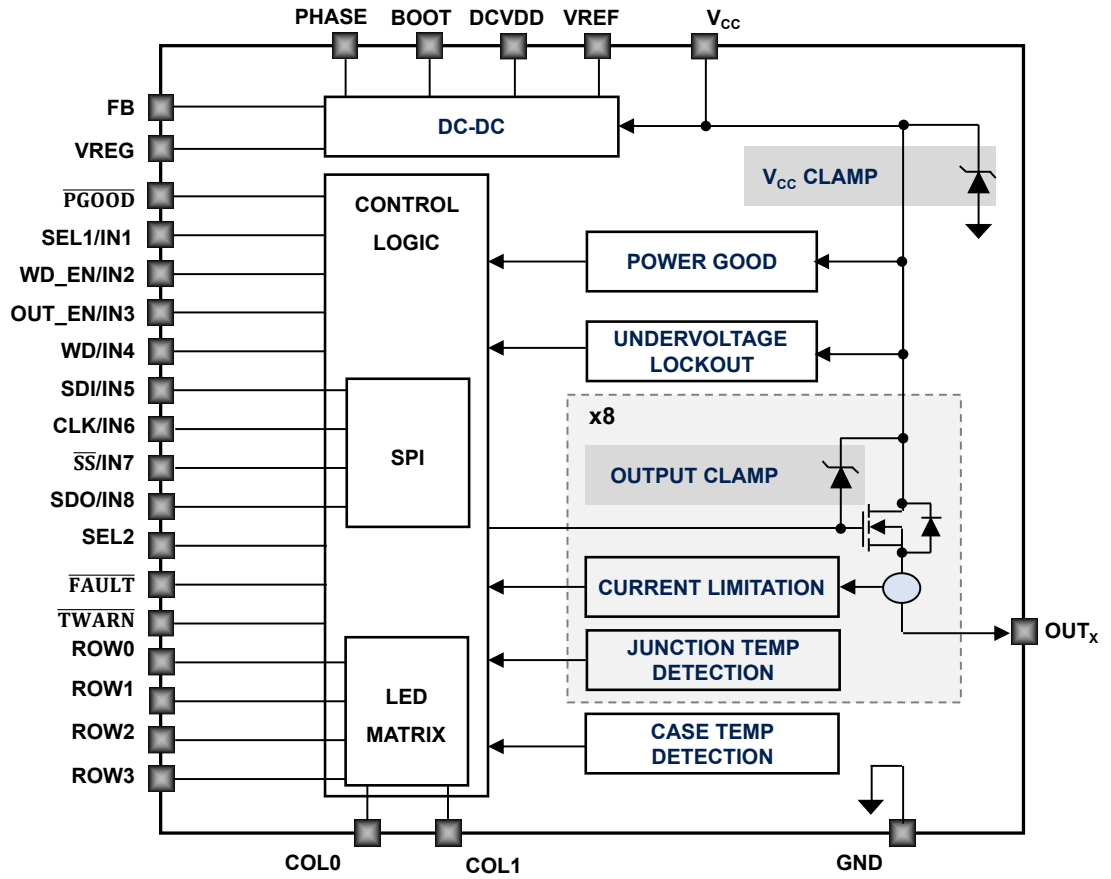
The internal LED matrix driver circuitry (4 rows, 2 columns) allows the efficient driving of the 8 LEDs reporting the on/off status of each of the 8 outputs. The VREG pin supplies both the logic output buffers and LED matrix. The 100 mA output current capability of the integrated step-down (featuring overload and short-circuit conditions) can be used to supply both the VREG pin and other application components (for example digital isolators or optocouplers).

Active per-channel current limitation (0.7 A and 1.0A for VNI8200XP and VNI8200XP-32, respectively), combined with channel-independent thermal shutdown, protect the circuitry against overload and short circuit. Built-in thermal shutdown protects each channel from over-temperature and overload: each overheated channel automatically turns OFF after its junction temperature triggers the protection threshold ( $T_{TSD}$ ). The channel turns back ON if its junction temperature decreases lower than restart threshold ( $T_R$ ). An additional case temperature sensor protects the whole chip against over-temperature: if the case temperature triggers the  $T_{CSD}$  threshold then overloaded channels are turned OFF and restart only when case temperature decreased down to the reset threshold ( $T_{CR}$ ). Non overloaded channels continue to operate normally.

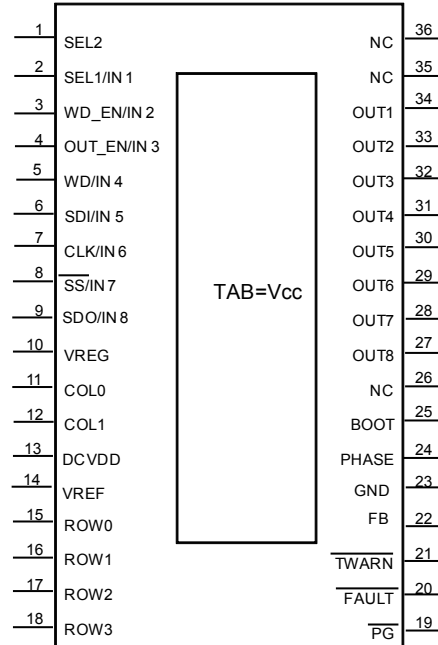
Loss of GND protection guarantees automatic turn off the outputs in case of ground wire break.

Dedicated diagnostic pins report the detection of: invalid voltage range on VCC rail ( $\overline{PG}$  pin), case over-temperature (TWARN pin), SPI fault or junction over-temperature (FAULT pin).

# 1 Block diagram

**Figure 1. Block diagram**


## 2 Pin connection

**Figure 2. Pin connection (top view)**


GIPG020420151249LM

**Table 1. Pin description**

Pin	Name	Type	Description	
			SPI Mode	Parallel Mode
1	SEL2	Logic input	SEL2 = H.	SEL2 = GND.
2	SEL1/IN1	Logic input	SEL1 = L or H selects the SPI 8-bits or 16-bits option.	IN1 = L/H drives off/on the OUT1.
3	WD_EN/IN2	Logic/analog input	WD_EN = H or L enables or disables the watchdog feature.	IN2 = L/H drives off/on the OUT2.
4	OUT_EN/IN3	Logic input	OUT_EN = L or H forces off all OUT <sub>x</sub> or enables the control by SPI.	IN3 = L/H drives off/on the OUT3.
5	WD/IN4	Logic input	WD is the watchdog input: the internal watchdog counter is cleared on the falling edges.	IN4 = L/H drives off/on the OUT4.
6	SDI/IN5	Logic input	Connected to the MOSI port of the MCU.	IN5 = L/H drives off/on the OUT5.
7	CLK/IN6	Logic input	Serial clock/channel 6 input. Connected to the SPI Clock port of the MCU.	IN6 = L/H drives off/on the OUT6.
8	SS/IN7	Logic input	Connected to the GPIO port of the MCU controlling the SPI chip select.	IN7 = L/H drives off/on the OUT7.
9	SDO/IN8	Logic input/output	Connected to the MISO port of the MCU.	IN8 = L/H drives off/on the OUT8.
10	VREG	Power supply	Supply of SPI, Inputs and LED Matrix.	
11	COL0	Open source output	LED matrix column driver (odd OUT <sub>x</sub> ).	
12	COL1	Open source output	LED matrix column driver (even OUT <sub>x</sub> ).	
13	DCVDD	Analog output	Internally generated DC-DC voltage (to be connected to external 10 nF capacitor).	
14	VREF	Analog output	Internally generated DC-DC reference voltage (to be connected to external 10 nF capacitor).	

Pin	Name	Type	Description	
			SPI Mode	Parallel Mode
15	ROW0	Open drain output	LED matrix row driver (OUT <sub>1</sub> , OUT <sub>2</sub> ).	
16	ROW1	Open drain output	LED matrix row driver (OUT <sub>3</sub> , OUT <sub>4</sub> ).	
17	ROW2	Open drain output	LED matrix row driver (OUT <sub>5</sub> , OUT <sub>6</sub> ).	
18	ROW3	Open drain output	LED matrix row driver (OUT <sub>7</sub> , OUT <sub>8</sub> ).	
19	$\overline{\text{PG}}$	Open drain output	Connect to VREG by a pull-up resistor. Power Good diagnostic pin is activated (forced low) when voltage on VCC pin goes below V <sub>PGH2</sub> .	
20	$\overline{\text{FAULT}}$	Open drain output	Connect to VREG by a pull-up resistor. Common fault diagnostic pin is activated (forced low) when a junction over-temperature event or SPI communication fault event (parity check error or modulo-8 violation) occur.	
21	$\overline{\text{TWARN}}$	Open drain output	Connect to VREG by a pull-up resistor. Case temperature diagnostic pin is activated (forced low) when a case over-temperature event occurs.	
22	FB	Analog input	Step-down feedback input. Connecting FB pin to DCVDD pin disables the DC-DC. Connect FB to VREG to make the DC-DC supplies 3.3 V. An external resistor divider is required for higher output voltage.	
23	GND		Ground.	
24	PHASE	Power output	Embedded power switch source pin of the DC-DC step-down (buck) converter.	
25	BOOT	Power output	Bootstrap voltage of the DC-DC converter. It is used to provide a drive voltage, higher than the supply voltage, to power the switch of the step-down regulator.	
26	NC		Not connected.	
27	OUT8	Power output	Channel 8 power output.	
28	OUT7	Power output	Channel 7 power output.	
29	OUT6	Power output	Channel 6 power output.	
30	OUT5	Power output	Channel 5 power output.	
31	OUT4	Power output	Channel 4 power output.	
32	OUT3	Power output	Channel 3 power output.	
33	OUT2	Power output	Channel 2 power output.	
34	OUT1	Power output	Channel 1 power output.	
35	NC		Not connected.	
36	NC		Not connected.	
TAB	TAB	Power supply	Exposed tab, internally connected to V <sub>CCIC</sub> supply rail.	

### 3 Maximum ratings

**Table 2. Absolute maximum ratings**

Symbol	Parameter	Value	Unit
V <sub>CC</sub>	Power supply voltage	45	V
-V <sub>CC</sub>	Reverse supply voltage	-0.3	V
V <sub>REG</sub>	Logic supply voltage	-0.3 to +6	V
V <sub>FAULT</sub> V <sub>TWARN</sub> V <sub>PG</sub>	Voltage range on pins $\overline{\text{TWARN}}$ , $\overline{\text{FAULT}}$ , $\overline{\text{PGOOD}}$	-0.3 to +6	V
V <sub>PHASE</sub>	V <sub>PHASE</sub> voltage	V <sub>CC</sub>	V
V <sub>BOOT</sub>	Bootstrap voltage	V <sub>PHASE</sub> +6	V
V <sub>ROW</sub>	Voltage range on ROW pins	-0.3 to +6	V
V <sub>COL</sub>	Voltage range on COL pins	-0.3 to +6	V
V <sub>IN</sub>	Voltage level range on logic input pins	-0.3 to +6	V
I <sub>OUT</sub>	Output current (continuous)	Internally limited <sup>(1)</sup>	A
I <sub>R</sub>	Reverse output current (per channel)	-5	A
I <sub>GND</sub>	DC ground reverse current	-250	mA
I <sub>REG</sub>	V <sub>REG</sub> input current	-1 to +10	mA
I <sub>FAULT</sub> I <sub>TWARN</sub> , I <sub>PG</sub>	Current range on pins $\overline{\text{TWARN}}$ , $\overline{\text{FAULT}}$ , $\overline{\text{PGOOD}}$	-1 to +10	mA
I <sub>IN</sub>	Input current range	-1 to +10	mA
I <sub>ROW</sub>	Current range on ROW pins (ROW in ON-state)	+20	mA
	Current range on ROW pins (ROW in OFF-state)	-1 to +10	mA
I <sub>COL</sub>	Current range on COL pins (COL in ON-state)	-10	mA
	Current range on COL pins (COL in OFF-state)	-1 to +10	mA
V <sub>ESD</sub>	Electrostatic discharge (R = 1.5 kΩ; C = 100 pF)	2000	V
E <sub>AS</sub>	Single pulse avalanche energy per channel not simultaneously @T <sub>amb</sub> = 125 °C, I <sub>OUT</sub> = 0.5 A	3	J
P <sub>TOT</sub>	Power dissipation at T <sub>C</sub> = 25 °C	Internally limited <sup>(1)</sup>	W
T <sub>J</sub>	Junction operating temperature	Internally limited	°C
T <sub>STG</sub>	Storage temperature	-55 to 150	°C

1. Protection functions are intended to avoid IC damage in fault conditions and are not intended for continuous operation. Continuous and repetitive operation of protection functions may reduce the IC lifetime.

**Table 3. Thermal data**

Symbol	Parameter		Value <sup>(1)</sup>	Value <sup>(2)</sup>	Unit
R <sub>th(JC)</sub>	Thermal resistance junction-case	Max.	0.7	2	°C/W
R <sub>th(JA)</sub>	Thermal resistance junction-ambient	Max.	21.5	15	°C/W

1. R<sub>th(JA)</sub> according to JESD51-7; R<sub>th(JC)</sub> intended between die and bottom case surface measured by cold plate as per JESD51

2. PowerSSO-36 mounted on a four-layer FR4, with 8 cm<sup>2</sup> for each layer, Cu thickness = 35 μm

## 4 Electrical characteristics

### 4.1 Power section

10.5 V < V<sub>CC</sub> < 36 V; -40 °C < T<sub>J</sub> < 125 °C; unless otherwise specified

**Table 4. Power section**

Symbol	Parameter	Test conditions	Min.	Typ.	Max.	Unit
V <sub>CC</sub>	Supply voltage		10.5		36	V
V <sub>CC CLAMP</sub>	Clamp on V <sub>CC</sub>	Current 20 mA	45	50	52	V
R <sub>DS(on)</sub>	On-state resistance	I <sub>OUT</sub> = 0.5 A @ T <sub>J</sub> = 25 °C		0.11		Ω
		I <sub>OUT</sub> = 0.5 A @ T <sub>J</sub> = 125 °C			0.2	
I <sub>S</sub>	V <sub>CC</sub> supply current	All channels in OFF-state, DC-DC = OFF, V <sub>REG</sub> = 5 V, SPI inactive <sup>(1)</sup>	0.65	1	1.1	mA
		All channels in ON-state, DC-DC = ON, V <sub>REG</sub> = 5 V, SPI active <sup>(2)</sup>		5.3		mA
		All channels in ON-state, DC-DC = OFF, V <sub>REG</sub> = 5 V, SPI active <sup>(3)</sup>	3.5		5.2	mA
I <sub>DS</sub>	V <sub>REG</sub> supply current	DC-DC = OFF, V <sub>REG</sub> = 5 V, SPI inactive WD_EN = 0		200		μA
		DC/DC = OFF, V <sub>REG</sub> = 5 V, SPI active, WD_EN = V <sub>REG</sub>		250		μA
I <sub>LGND</sub>	Output current at GND disconnection	All pins at 0 V except V <sub>OUTx</sub> = 24 V			0.5	mA
V <sub>OUT(OFF)</sub>	OFF-state output voltage	V <sub>IN</sub> = 0 V, I <sub>OUT</sub> = 0 A			1	V
I <sub>OUT(OFF)</sub>	OFF-state output current	V <sub>IN</sub> = V <sub>OUT</sub> = 0 V	0		2	μA
F <sub>CP</sub>	Charge pump frequency	Channel in ON-state <sup>(4)</sup>		1.45		MHz

1.  $\overline{SS}$  signal high, no communication.
2.  $\overline{SS}$  signal low, communication ON.
3.  $\overline{SS}$  signal low, communication ON.
4. To cover EN55022 class A and class B normative.

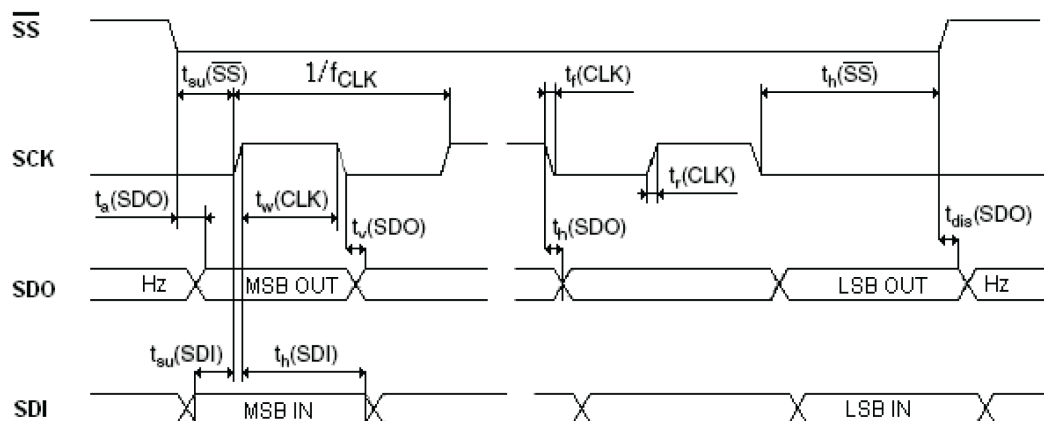
### 4.2 SPI characteristics

10.5 V < V<sub>CC</sub> < 36 V; 2.7 V < V<sub>REG</sub> < 5 V; -40 < T<sub>J</sub> < 125 °C; unless otherwise specified

**Table 5. SPI characteristics**

Symbol	Parameter	Test conditions	Min.	Typ.	Max.	Unit
f <sub>CLK</sub>	SPI clock frequency				5	MHz
t <sub>r</sub> (CLK), t <sub>f</sub> (CLK)	SPI clock rise/fall time				20	ns
t <sub>su</sub> ( $\overline{SS}$ )	$\overline{SS}$ setup time		120			ns
t <sub>h</sub> ( $\overline{SS}$ )	$\overline{SS}$ hold time		120			ns
t <sub>w</sub> (CLK)	CLK high time		80			ns
t <sub>su</sub> (SDI)	Data input setup time		100			ns

Symbol	Parameter	Test conditions	Min.	Typ.	Max.	Unit
$t_h(\text{SDI})$	Data input hold time		100			ns
$t_a(\text{SDO})$	Data output access time				100	ns
$t_{dis}(\text{SDO})$	Data output disable time				200	ns
$t_v(\text{SDO})$	Data output valid time				100	ns
$t_h(\text{SDO})$	Data output hold time		0			ns
$V_{\text{SDO}}$	Voltage on serial data output	$I_{\text{SDO}} = 15 \text{ mA}$	$V_{\text{REG}} - 0.8$			V
		$I_{\text{SDO}} = -4 \text{ mA}$			0.8	V

**Figure 3. Serial timing**


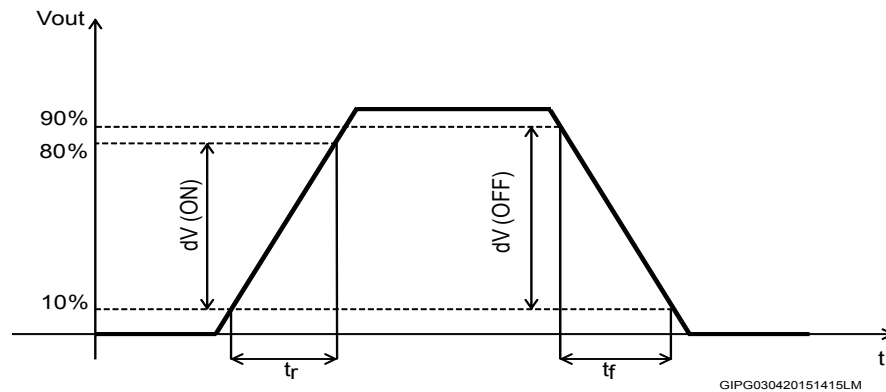
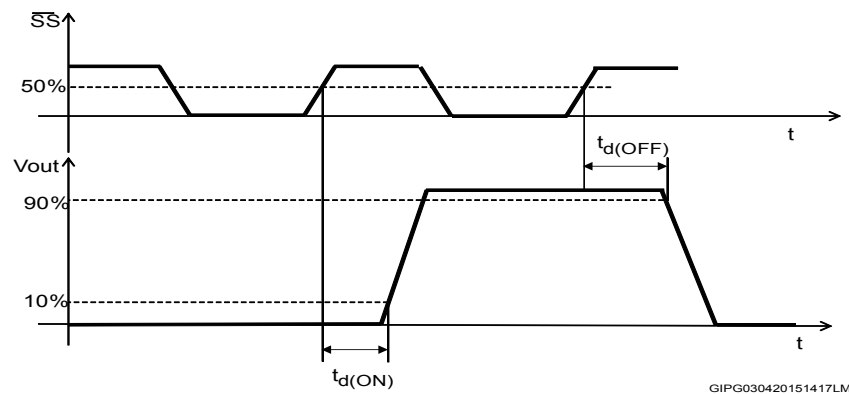
GIPG030420151422LM

### 4.3 Switching

 $V_{\text{CC}} = 24 \text{ V}; -40 \text{ }^\circ\text{C} < T_J < 125 \text{ }^\circ\text{C}$ 
**Table 6. Switching**

Symbol	Parameter	Test conditions	Min.	Typ.	Max.	Unit	
$t_d(\text{ON})$	Turn-on delay time	$I_{\text{OUT}} = 0.5 \text{ A}$ , resistive load, input rise time $< 0.1 \text{ } \mu\text{s}$		5		$\mu\text{s}$	
$t_r$	Rise time			5		$\mu\text{s}$	
$t_d(\text{OFF})$	Turn-off delay time				10		$\mu\text{s}$
$t_f$	Fall time				5		$\mu\text{s}$
$dV/dt_{(\text{ON})}$	Turn-on voltage slope				3		$\text{V}/\mu\text{s}$
$dV/dt_{(\text{OFF})}$	Turn-off voltage slope				4		$\text{V}/\mu\text{s}$



**Figure 4.  $dV/dt(ON)$  and  $dV/dt(OFF)$ , time diagram test conditions**

**Figure 5.  $t_d(ON)$  and  $t_d(OFF)$ , time diagram test conditions**


## 4.4 Logic inputs

$10.5\text{ V} < V_{CC} < 36\text{ V}$ ;  $-40\text{ }^\circ\text{C} < T_J < 125\text{ }^\circ\text{C}$ ; unless otherwise specified

**Table 7. Logic inputs**

Symbol	Parameter	Test conditions	Min.	Typ.	Max.	Unit
$V_{IL}$	Input low level voltage				0.8	V
$V_{IH}$	Input high level voltage		2.20			V
$V_{I(HYST)}$	Input hysteresis voltage			0.15		V
$I_{IN}$	Input current	$V_{IN} = 5\text{ V}$	8			$\mu\text{A}$

## 4.5 Protection and diagnostic

$10.5\text{ V} < V_{CC} < 36\text{ V}$ ;  $-40\text{ }^\circ\text{C} < T_J < 125\text{ }^\circ\text{C}$ ; unless otherwise specified

**Table 8. Protection and diagnostic**

Symbol	Parameter	Test conditions	Min.	Typ.	Max.	Unit
$V_{PGH1}$	Power Good diagnostic ON threshold		16.5	17.5	18.4	V
$V_{PGH2}$	Power Good diagnostic OFF threshold		15.2	16.5	17.4	V

Symbol	Parameter	Test conditions	Min.	Typ.	Max.	Unit
V <sub>PGHYS</sub>	Power Good diagnostic hysteresis			1		V
V <sub>USD</sub>	Undervoltage ON protection			9.5	10	V
	Undervoltage OFF protection		8.4	9		
V <sub>USDHYS</sub>	Undervoltage hysteresis		0.4	0.5		V
V <sub>demag</sub>	Output voltage at turn-OFF	I <sub>OUT</sub> = 0.5 A; L <sub>LOAD</sub> ≥ 1 mH	V <sub>CC</sub> -52	V <sub>CC</sub> -50	V <sub>CC</sub> -45	V
V <sub>TWARN</sub>	$\overline{\text{TWARN}}$ pin low-state output voltage	I <sub>TWARN</sub> = 3 mA (active condition)			0.6	V
V <sub>FAULT</sub>	$\overline{\text{FAULT}}$ pin low-state output voltage	I <sub>FAULT</sub> = 3 mA (active condition)			0.6	V
V <sub>PG</sub>	$\overline{\text{PG}}$ pin low-state output voltage	I <sub>PG</sub> = 3 mA (active condition); V <sub>REG</sub> = 3.3 V; V <sub>CC</sub> = 0			0.7	V
I <sub>PEAK</sub>	Maximum DC output current before limitation (VNI8200XP)			1.4		A
	Maximum DC output current before limitation (VNI8200XP-32)			2.2		
I <sub>LIM</sub>	Short-circuit current limitation per channel (VNI8200XP)	R <sub>LOAD</sub> = 0; V <sub>CC</sub> = 24 V; T <sub>J</sub> = 25 °C	0.7	1.1	1.7	A
	Short-circuit current limitation per channel (VNI8200XP-32)		1.1	1.9	2.7	
Hyst	I <sub>LIM</sub> tracking limits	R <sub>LOAD</sub> = 0		0.3		A
I <sub>LFAULT</sub>	$\overline{\text{FAULT}}$ leakage current	V <sub>open-drain pin</sub> = 5 V			2	μA
I <sub>TWARN</sub>	$\overline{\text{TWARN}}$ leakage current					
I <sub>PG</sub>	$\overline{\text{PG}}$ leakage current					
T <sub>TSD</sub>	Junction shutdown temperature		160	180		°C
T <sub>R</sub>	Junction reset temperature			160		
T <sub>HYST</sub>	Junction thermal hysteresis			20		
T <sub>CSD</sub>	Case shutdown temperature		115	130	155	
T <sub>CR</sub>	Case reset temperature			110		
T <sub>CHYST</sub>	Case thermal hysteresis			20		
t <sub>WD</sub>	Watchdog hold time	See Figure 11	50			ns
t <sub>WM</sub>	Watchdog time	See Table 13 and Figure 11				
t <sub>OUT_EN</sub>	OUT_EN pin propagation delay <sup>(1)</sup>	V <sub>CC</sub> = 24 V; I <sub>OUT</sub> = 72 mA		10		μs
t <sub>RES</sub>	OUT_EN hold time		50			ns
t <sub>WO</sub>	Watchdog timeout <sup>(2)</sup>				t <sub>WM</sub> + t <sub>d(OFF)</sub>	ms

1. Time from reset active low and power out disable.

2. Time from t<sub>WM</sub> elapsed to power out disable.

## 4.6 Step-down switching regulator

$10.5\text{ V} < V_{CC} < 36\text{ V}$ ;  $-40\text{ }^{\circ}\text{C} < T_J < 125\text{ }^{\circ}\text{C}$ ; unless otherwise specified

**Table 9. Step-down switching regulator**

Symbol	Parameter	Test conditions	Min.	Typ.	Max.	Unit
$V_{DC\_out}$	Voltage on VREG pin supplied by the embedded DC-DC	$I_{REG}$ from 0 to 100 mA, see Figure 15	3.1	3.3	3.5	V
		$I_{REG}$ from 0 to 100 mA, see Figure 16		5		
$V_{FB}$	Voltage feedback		3.1	3.3	3.5	V
$R_{DS(on)}$	MOSFET on-resistance			1.5		$\Omega$
$I_{DC-DC(PK)}$	Inductor peak current		0.55		0.9	A
$I_{qop}$	Total operating quiescent current			0.6		mA
$I_{qst-by}$	Total standby quiescent current	Regulator standby		15.8		$\mu\text{A}$
$f_s$	Switching frequency			400		kHz
$D_{max}$	Maximum duty cycle			80%		%
$T_{on_{min}}$	Minimum on-time			150		ns
$F_{sc}$	Frequency in short-circuit condition			50		kHz

## 4.7 LED driving array

$10.5\text{ V} < V_{CC} < 36\text{ V}$ ;  $-40\text{ }^{\circ}\text{C} < T_J < 125\text{ }^{\circ}\text{C}$ ; unless otherwise specified

**Table 10. LED driving array**

Symbol	Parameter	Test conditions	Min.	Typ.	Max.	Unit
$V_{COL}$	Output source voltage on COL pins	Output current 0 to 7 mA	$V_{REG}-0.3$	$V_{REG}-0.2$		V
$V_{ROW}$	Open drain voltage on ROW pins	Output current 0 to 15 mA		0.2	0.3	V
$F_{sw}$	Row refresh frequency with duty=25%			780		Hz

## 5 Reverse polarity protection

Reverse polarity protection can be implemented on board using two different solutions:

1. Placing a resistor ( $R_{GND}$ ) between IC GND pin and load GND
2. Placing a diode between IC GND pin and load GND

If option 1 is selected, the minimum resistance value has to be selected according to the following equation:

$$R_{GND} \geq V_{CC} / I_{GND}$$

where  $I_{GND}$  is the DC reverse ground pin current and can be found in [Section 3](#) of this datasheet.

Power dissipated by  $R_{GND}$  (when  $V_{CC} < 0$ : during reverse polarity situations) is:

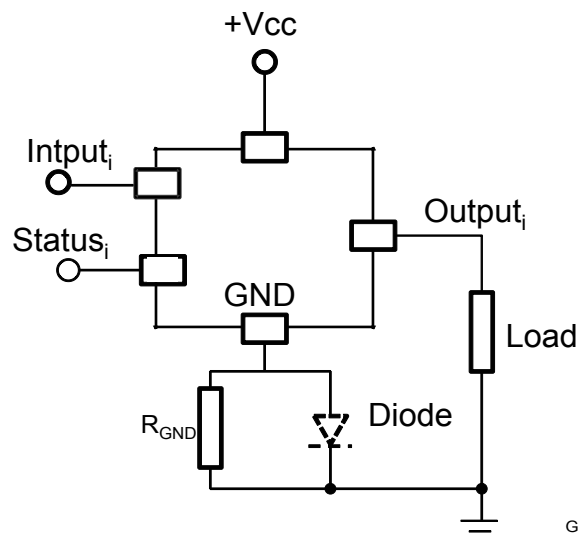
$$P_D = (V_{CC})^2 / R_{GND}$$

If option 2 is selected, the diode has to be chosen by taking into account  $V_{RRM} > |V_{CC}|$  and its power dissipation capability:

$$P_D \geq I_S * V_F$$

*Note:* In normal conditions (no reverse polarity), due to the diode, there is a voltage drop between GND of the device and GND of the system.

Figure 6. Reverse polarity protection

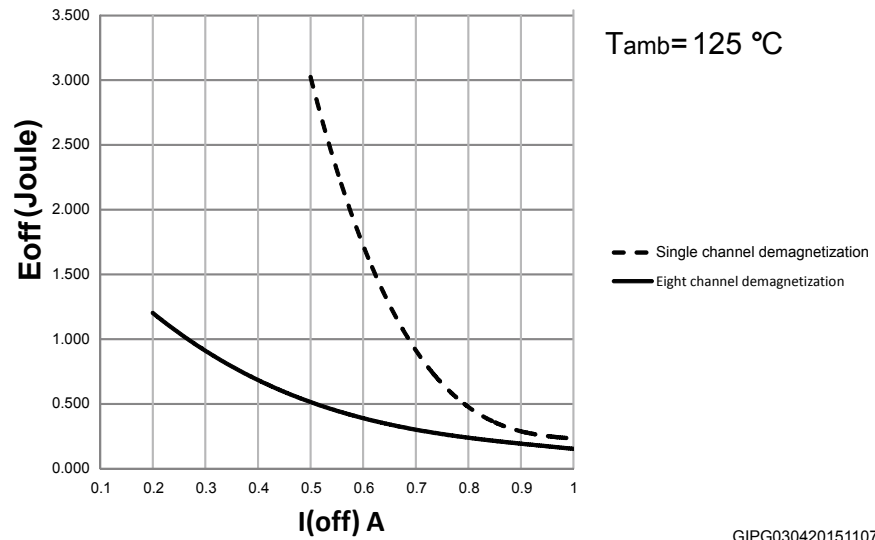


GIPG020420151344LM

This schematic can be used with any type of load.

## 6 Demagnetization energy

Figure 7. Typical single pulse demagnetization:  $E_{OFF}$  vs  $I_{OUT}$  ( $V_{CC} = 24\text{ V}$ ,  $T_{AMB} = 125\text{ °C}$ )



## 7 Truth table

**Table 11. Truth table**

Condition	Input/ Driving bit	Output	SPI status bit	$\overline{\text{FAULT}}$	$\overline{\text{TWARN}}$	$\overline{\text{PG}}$
Normal operation	High	On	Reset	High	High	High
	Low	Off	Reset	High	High	High
Junction overtemperature	High	Off	Set	Low	X	X
	Low	Off	Set <sup>(1)</sup>	High	X	X
Case overtemperature	High	Off	Set <sup>(1)</sup>	X	Low	X
	Low	Off	Set <sup>(1)</sup>	X	Low <sup>(1)</sup>	X
Undervoltage	High	Off	Reset	X	X	X
	Low	Off	Reset	X	X	X
Power Good	High	On	Set <sup>(2)</sup>	High	High	Low
	Low	Off		High	High	Low
SPI communication fault (Parity check or module-8 violation)	High	X <sup>(3)</sup>	Set	Low	High	High
	Low		Set	Low	High	High

1. This signal becomes high after the temperature falls below the reset threshold.

2. If fault expires, the reset condition occurs after SPI communication, otherwise it is set again.

3. When the SPI communication fails the output is frozen last valid state

## 8 Pin function description

### 8.1 SPI/parallel selection mode (SEL2)

This pin allows the selection of the IC interfacing mode. The SPI interface is selected if SEL2 = H, while the parallel interface is selected if SEL2 = L, according to:

**Table 12. Pin function description**

Pin	SEL2 = H <sup>(1)</sup>		SEL2 = L	
	SPI operation		parallel operation	
SDO/IN8	SDO	Serial data output	IN8	Input to channel 8
$\overline{SS}$ /IN7	$\overline{SS}$	Slave select	IN7	Input to channel 7
CLK/IN6	CLK	Serial clock	IN6	Input to channel 6
SDI/IN5	SDI	Serial data input	IN5	Input to channel 5
WD/IN4	WD	Watchdog input	IN4	Input to channel 4
OUT_EN/IN3	OUT_EN	OUTx enable / disable	IN3	Input to channel 3
WD_EN/IN2	WD_EN	Watchdog enable / disable and timing preset	IN2	Input to channel 2
SEL1/IN1	SEL1	8/16-bit SPI selection mode	IN1	Input to channel 1

1. SEL2 has an internal weak pull-down.

### 8.2 Serial data in (SDI)

If SEL2 = H, this pin is the input of the serial control frame. SDI is read on CLK rising edges and, therefore, the microcontroller must change SDI state during the CLK falling edges. After the  $\overline{SS}$  falling edge, the SDI is equal to the most significant bit of the control frame (Figure 8).

### 8.3 Serial data out (SDO)

If SEL2 = H, this pin is the output of the serial fault frame. SDO is updated on CLK falling edges and, therefore, the microcontroller must read SDO state during the CLK rising edges.

The SDO pin is tri-stated when  $\overline{SS}$  signal is high and it is equal to the most significant bit of the fault frame after the  $\overline{SS}$  falling edge (Figure 8).

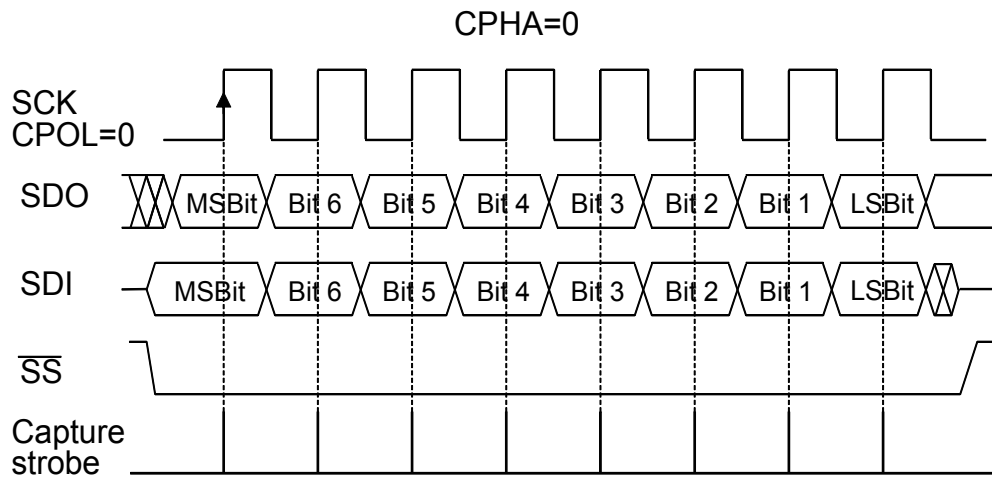
### 8.4 Serial data clock (CLK)

If SEL2 = H, the CLK line is the input clock for serial data sampling. On CLK rising edge the SDI input is sampled by the IC and the SDO output is sampled by the host microcontroller. On CLK falling edge, both SDI and SDO lines are updated to the next bit of the frame, from the most to the less significant one (see Figure 8). When the  $\overline{SS}$  signal is high, slave not selected, the microcontroller should drive the CLK low (the settings for the MCU SPI port are CPHA = 0 and CPOL = 0).

### 8.5 Slave select (SS)

If SEL2 = H, the slave select ( $\overline{SS}$ ) signal is used to enable the IC serial communication shift register; data is flushed-in through the SDI pin and flushed-out from the SDO pin only when the SS pin is low. On the  $\overline{SS}$  pin falling edge the shift register (containing the fault conditions) is frozen, so any change on the power switches status is latched until the next  $\overline{SS}$  falling edge event and the SDO output is enabled. On the  $\overline{SS}$  pin rising edge event the 8/16 bits present on the SPI shift register are evaluated and the outputs are driven according to this frame. If more than 8/16 bits (depending on the SPI settings) are flushed inside only the last 8/16 are evaluated; the others are flushed out from the SDO pin after fault condition bits; in this way a proper communication is possible also in a daisy chain configuration.

Figure 8. SPI mode diagram



GIPG030420151131LM

## 8.6 8/16-bit selection (SEL1)

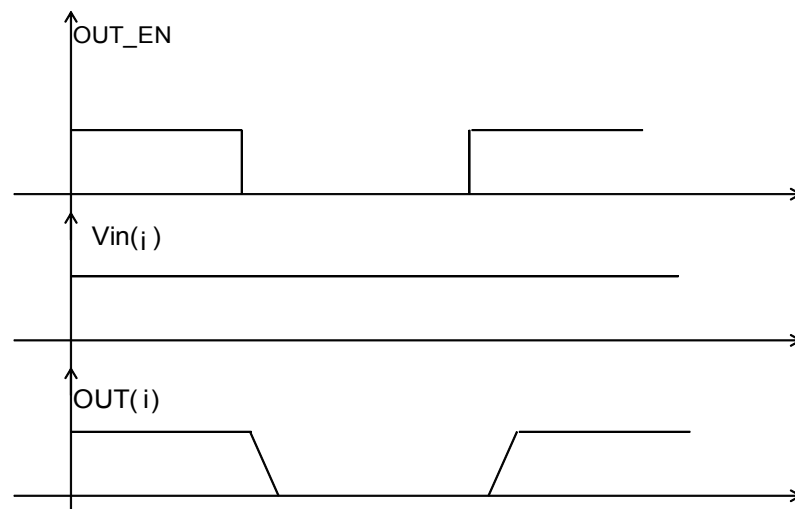
If SEL2 = H, SEL1 is used to select between two possible SPI configurations: the 8-bit SPI mode (SEL1 = L) and the 16-bit SPI mode (SEL1 = H). 8/16-bit SPI operation is described below.

## 8.7 Output enable (OUT\_EN)

If SEL2 = H, the OUT\_EN pin provides a fast way to disable all the outputs simultaneously. When the OUT\_EN pin is driven low for at least  $T_{RES}$ , the outputs are disabled while fault conditions in the SPI register are latched. To enable the outputs, the OUT\_EN pin should be raised and the IC should be re-programmed through the SPI interface. As fault conditions are latched inside the IC and SPI interface also works while the OUT\_EN pin is driven low, the SPI can be used to detect if a fault condition occurred before than the reset event.

The device is ready to operate normally after a  $T_{SU}$  period. The OUT\_EN pin is the fastest way to disable all outputs when a fault occurs.

Figure 9. Output channel enable/disable behavior



GIPG030420151208LM



### 8.8 IC warning case temperature detection ( **TWARN** )

The **TWARN** pin is an active low open drain output. This pin is active if the IC case temperature exceeds  $T_{CSD}$ . According to the PCB thermal design and  $R_{th(JC)}$  value, this function allows a warning about a PCB overheating condition to be given.

The **TWARN** bit is also available through SPI. This bit is not latched: the **TWARN** pin is low only while the case overtemperature condition is active ( $T_C > T_{CSD}$ ) and is released when this condition is removed ( $T_C < T_{CR}$ ).

### 8.9 Fault indication ( **FAULT** )

The **FAULT** pin is an open drain active low fault indication pin. This pin is activated by one or more of the following conditions:

- Channel overtemperature (OVT)

This pin is activated when at least one of the channels is in junction overtemperature.

Unlike the SPI fault detection bits, this signal is not latched: the **FAULT** pin is low only when the fault condition is active and is released if the input driving signal is OFF or after the OVT protection condition has been removed. This last event occurs if the channel temperature decreases below the threshold level and the case temperature has not exceeded  $T_{CSD}$  or is below  $T_{CR}$ . This means that the **FAULT** pin is low only while the junction overtemperature is active ( $T_J > T_{TSD}$ ) and is released after this condition has been removed ( $T_J < T_R$  and  $T_C < T_{CR}$ ).

- SPI communication fault (parity check or module-8 violation)

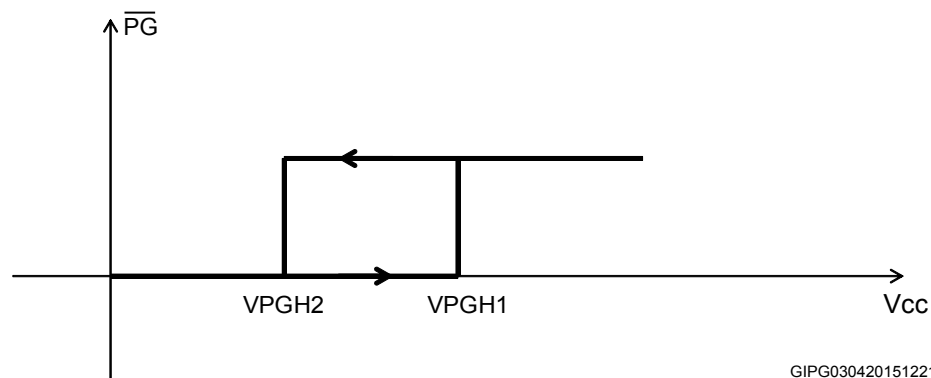
When SPI mode is used ( $SEL2 = H$ ), if a parity check fault of the incoming SPI frame is detected or counted CLK rising edges are different by a multiple of 8, the **FAULT** pin is kept low. When counted CLK rising edges are a multiple of 8 and parity check is valid, the **FAULT** pin is kept high.

### 8.10 Power Good ( **PG** )

The **PG** terminal is an open drain, which indicates the status of the supply voltage. When  $V_{CC}$  supply voltage reaches the  $V_{sth1}$  threshold, **PG** goes into a high impedance state. It goes into a low impedance state when  $V_{CC}$  falls below the  $V_{sth2}$  threshold.

In 16-bit SPI mode, a **PG** bit is also available. This bit is set high when the Power Good diagnostic is active, it is otherwise cleared.

Figure 10. Power Good diagnostic



### 8.11 Programmable watchdog counter reset ( **WD** )

If  $SEL2 = H$ , and the  $WD\_EN = H$ , then the embedded watchdog counter is enabled. An H-L transition on the **WD** pin resets the watchdog counter.

If the counter elapses before of the H-L transition on **WD** pin, then the IC enters into an internal reset state where all the outputs are disabled; to restart normal operation a negative pulse must be applied to the **WD** pin.

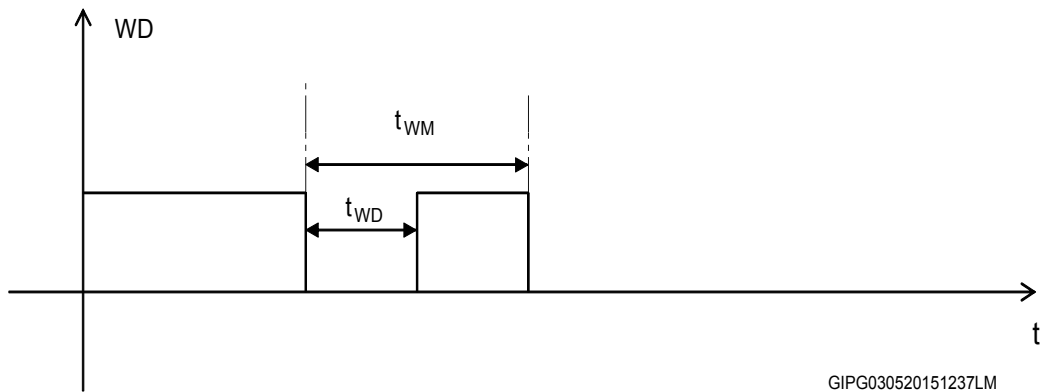
The **WD\_EN** pin should be connected through an external divider to  $V_{REG}$ .

The watchdog time is fixed in the following table:

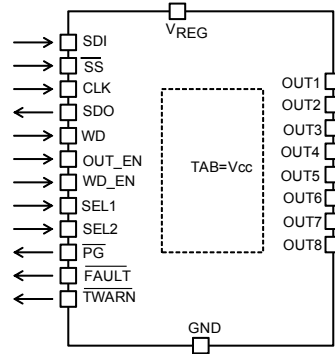
Table 13. Programmable watchdog time

$V_{WD\_EN}$	$t_{WM}$
$0.25 V_{REG} > V_{WD\_EN}$	Disable
$0.25 V_{REG} \leq V_{WD\_EN} < 0.5 V_{REG}$	$40 \pm 25\%$ ms
$0.25 V_{REG} \leq V_{WD\_EN} < 0.75 V_{REG}$	$80 \pm 25\%$ ms
$0.75 V_{REG} \leq V_{WD\_EN} = V_{REG}$	$160 \pm 25\%$ ms

Figure 11. Watchdog reset



## 9 SPI operation (SEL2 = H)

**Figure 12. SPI directional logic convention**


### 9.1 8-bit SPI mode (SEL1 = L)

If SEL2 = H, the 8-bit SPI mode is based on an 8-bit command frame sent from the microcontroller to the IC; each bit directly drives the corresponding output where LSB drives output 0 and MSB drives output 7. Each bit, set to '1', activates (closes) the corresponding output.

At the same time, the IC transfers the channel fault conditions (OVT) to the microcontroller. These fault conditions are latched at the occurrence and cleared after each communication (each time the SS signal has a positive transition). Each bit, set to '1', indicates an OVT condition for the corresponding channel.

**Table 14. Command 8-bit frame (master-to-slave)**

MSB							LSB
IN7	IN6	IN5	IN4	IN3	IN2	IN1	IN0

**Table 15. Fault 8-bit frame (slave-to-master)**

MSB							LSB
F7	F6	F5	F4	F3	F2	F1	F0

### 9.2 16-bit SPI mode (SEL1 = H)

The 16-bit SPI mode is based on a 16-bit command frame sent from the microcontroller to the IC; the first 8 bits directly drive the output channels (each bit, set to '1', activates the corresponding output), the other 8 bits contain a 4-bit parity check code where the last bit (the inversion of the previous one) is used to detect a communication error condition (providing at least a transition in each frame):

$$P0 = IN0 + IN1 + IN2 + IN3 + IN4 + IN5 + IN6 + IN7$$

$$P1 = IN1 + IN3 + IN5 + IN7$$

$$P2 = IN0 + IN2 + IN4 + IN6$$

$$nP0 = \text{not } P0$$

**Table 16. Command 16-bit frame (master-to-slave)**

MSB												LSB			
IN7	IN6	IN5	IN4	IN3	IN2	IN1	IN0					P2	P1	P0	nP0

At the same time, the IC transfers to the microcontroller a 16-bit fault frame where the first 8 bits indicate a channel fault (OVT) condition (each bit, set to '1', indicates an OVT event), the following 4 bits provide general fault condition information. FB\_OK: this bit is related to the DC-DC regulation: at the DC-DC turn-on, this bit is low and becomes high after FB rises above 90% of the nominal  $V_{FB}$  voltage and a correct SPI communication occurred. If the FB voltage falls below 80% of the nominal  $V_{FB}$  voltage, this bit is zero;  $\overline{TWARN}$  (IC warning case temperature), PC (parity check fail, the bit, set to '1', indicates a PC fail or the length is not a multiple of 8) and  $\overline{PG}$  (Power Good, see Section 8.10). The last 4 bits are used as parity check bits and communication error condition (see command 16-bit frame):

$$P0 = F0 + F1 + F2 + F3 + F4 + F5 + F6 + F7$$

$$P1 = PC + FB\_OK + F1 + F3 + F5 + F7$$

$$P2 = \overline{PG} + \overline{TWARN} + F0 + F2 + F4 + F6$$

$$nP0 = \text{not } P0$$

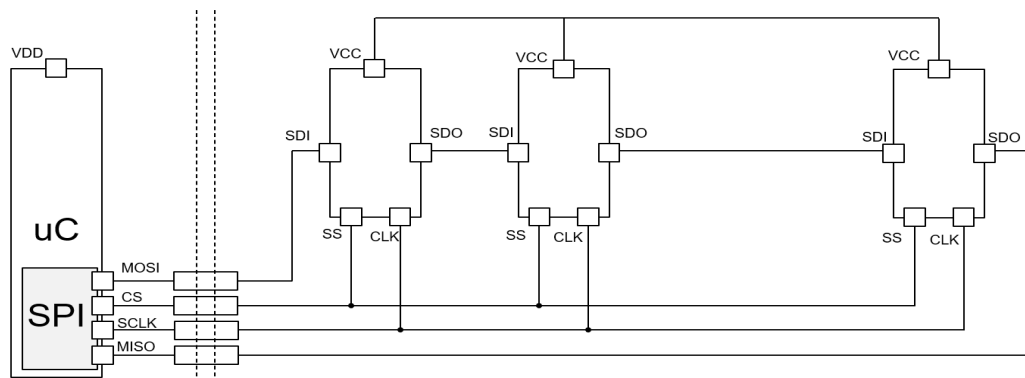
**Table 17. Fault 16-bit frame (slave-to-master)**

MSB													LSB			
F7	F6	F5	F4	F3	F2	F1	F0	FB_OK	TWARN	PC	$\overline{PG}$	P2	P1	P0	nP0	

Channel indications are latched and cleared after a communication only.

### 9.3 Daisy chaining

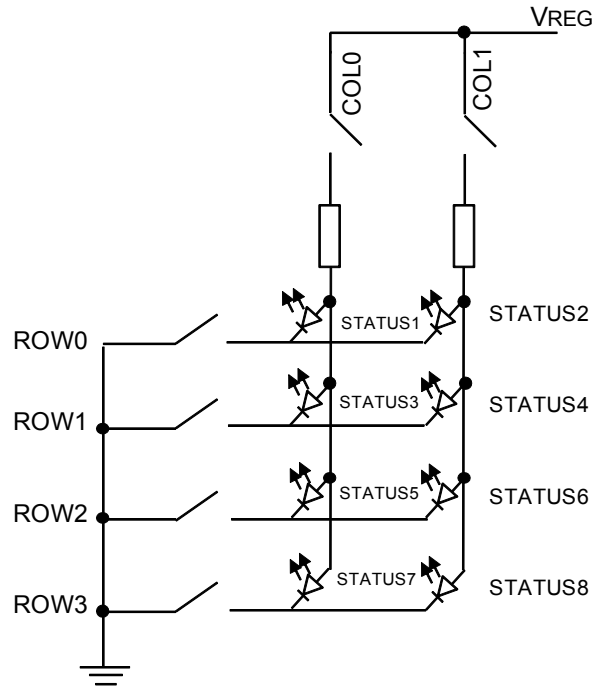
The VNI8200XP/XP-32 can be daisy-chained by connecting the MOSI port of the micro-controller to the SDI pin of the first IC of the chain; the SDO pin of the first IC of the chain to the SDI pin of the second (and similarly for the next ICs of chain); the SDO pin of the last IC of the chain to the MISO port of the micro-controller. See an example in Figure 13

**Figure 13. Example of daisy chaining connection**


## 10 LED driving array

The LED driving array carries out the status of the output channels (ON or OFF).

Figure 14. LED driving array



GIPG030420151307LM

The following equation is an indication how to choose the  $R_{ext}$  resistor value:

$$R_{ext} = (V_{COLmin}) - (V_{ROWmax}) - V_{F(LED)} / I_{F(LED)}$$

where  $I_{F(LED)} \leq 7 \text{ mA}$ ;  $(V_{COL min})$  and  $(V_{ROW max})$  can be found in Table 10;  $V_{F(LED)}$  and  $I_{F(LED)}$  depend of the LEDs electrical characteristics.

## 11 Step-down switching regulator

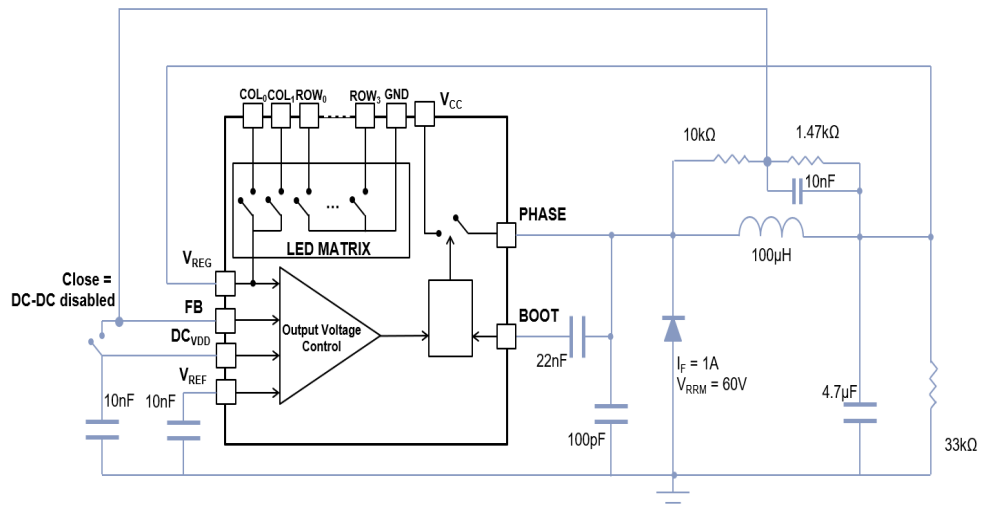
The IC embeds a high efficiency 100 mA micropower step-down switching regulator. The regulator is protected against short-circuit or overload conditions. Pulse-by-pulse current limit regulation is obtained in normal operation through a current loop control.

A low ESR output capacitor connected to the  $V_{REG}$  pin helps to limit the regulated voltage ripple; a low ESR (less than 10 m $\Omega$ ) capacitor is preferable. The control loop pin FB allows 3.3 V to be regulated, connecting it directly to  $V_{REG}$ , or 5 V connecting it through a voltage divider. The DC-DC converter can be turned off by connecting the FB pin to the DCVDD pin.

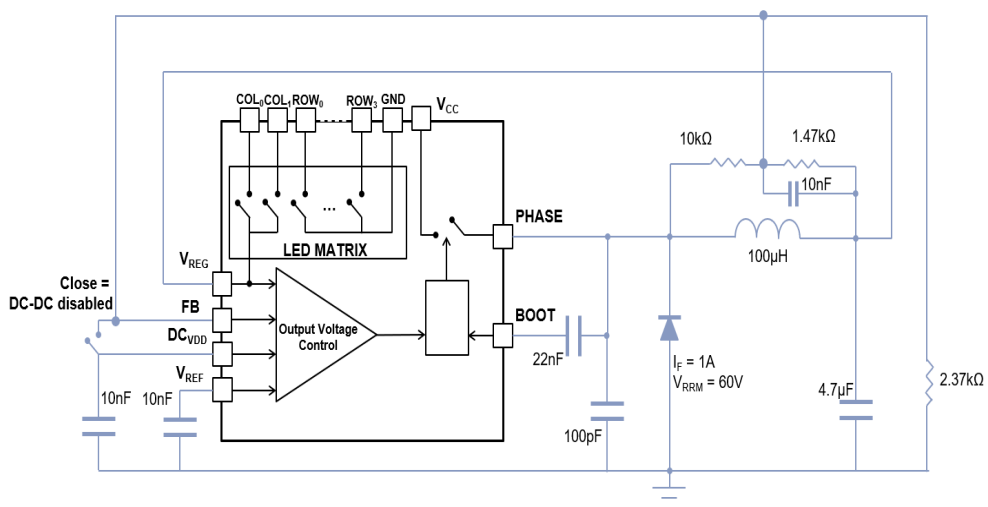
In some applications, it is possible to switch off the embedded DC-DC and supply the  $V_{REG}$  by 5 V or 3.3 V externally. Also, in case of two or more IC inside the same board, the user can activate the DC-DC converter on only one IC and also supply the  $V_{REG}$  pins of the other ICs.

If the DC-DC converter is adjusted to provide 3.3 V regulation and the  $V_{DC\_out}$  is used to power an external load and not the device, a 33 k $\Omega$  resistor has to be connected on  $V_{REG}$  pin.

**Figure 15. Typical circuit for switching regulation  $V_{DC\_out} = 3.3$  V**



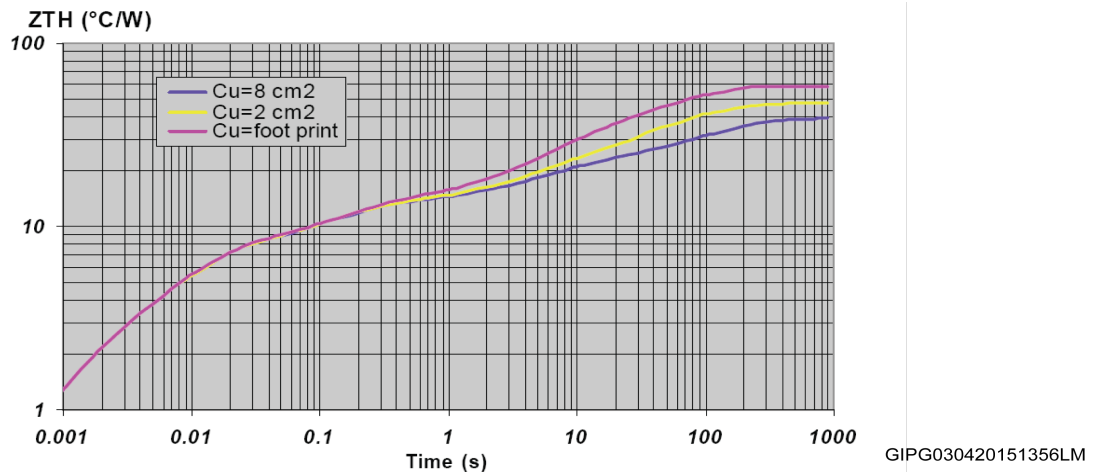
**Figure 16. Typical circuit for switching regulation  $V_{DC\_out} = 5$  V**



## 12 Thermal management

The power dissipation in the IC is the main factor that sets the safe operating condition of the device in the application. Therefore, it must be taken into account very carefully. Heatsinking can be achieved using copper on the PCB with proper area and thickness. The following image shows the junction-to-ambient thermal impedance values for the PowerSSO-36 package.

Figure 17. PowerSSO-36 thermal impedance vs. time

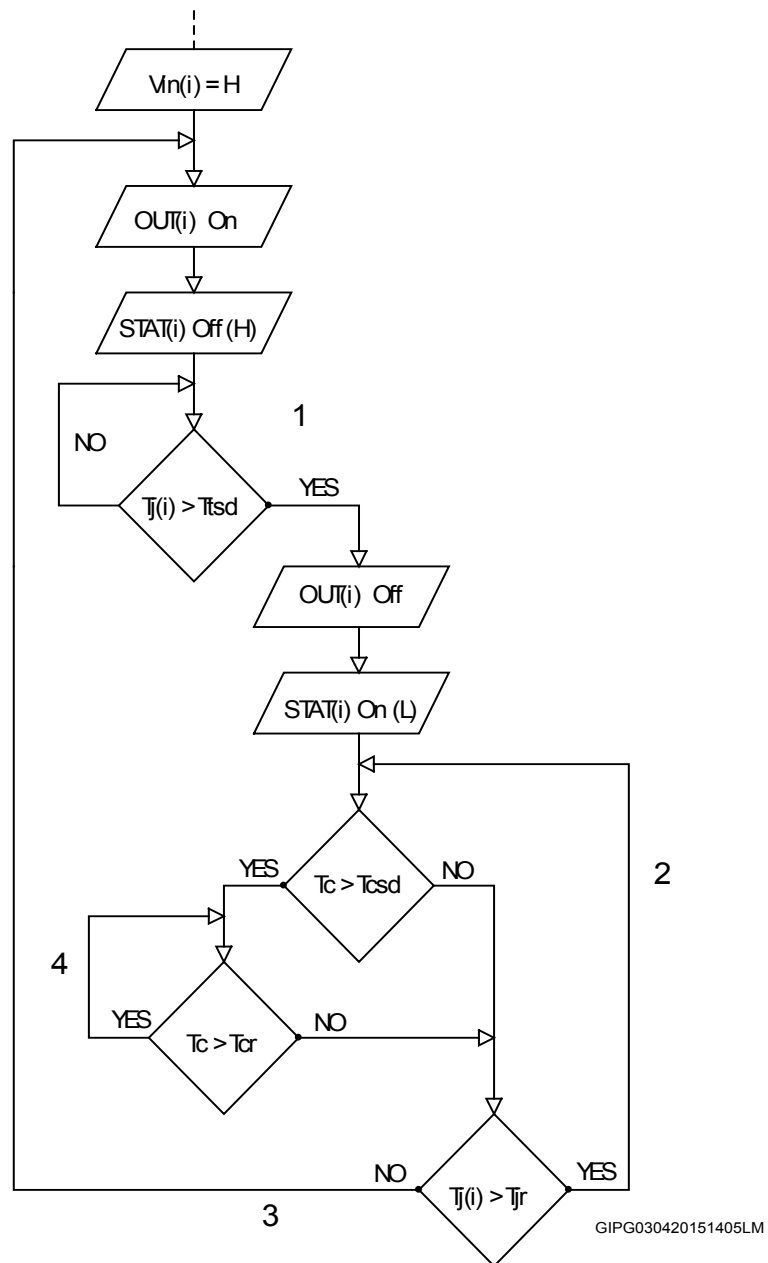


For instance, three cases have been considered using a PowerSSO-36 packaged with copper slug soldered on a 1.6 mm thickness FR4 board with dissipating footprint (copper thickness of 70 μm):

- single layer PCB with just IC footprint dissipating area
- double layer PCB with footprint dissipating area on the top side and a 2 cm<sup>2</sup> dissipating layer on the bottom side through 15 via holes
- double layer PCB with footprint dissipating area on the top side and an 8 cm<sup>2</sup> dissipating layer on the bottom side through 15 via holes

## 12.1 Thermal behavior

Figure 18. Thermal behavior



- Note:
- 1 Thermal shutdown
  - 2 Junction hysteresis
  - 3 Restore to idle condition
  - 4 Case hysteresis

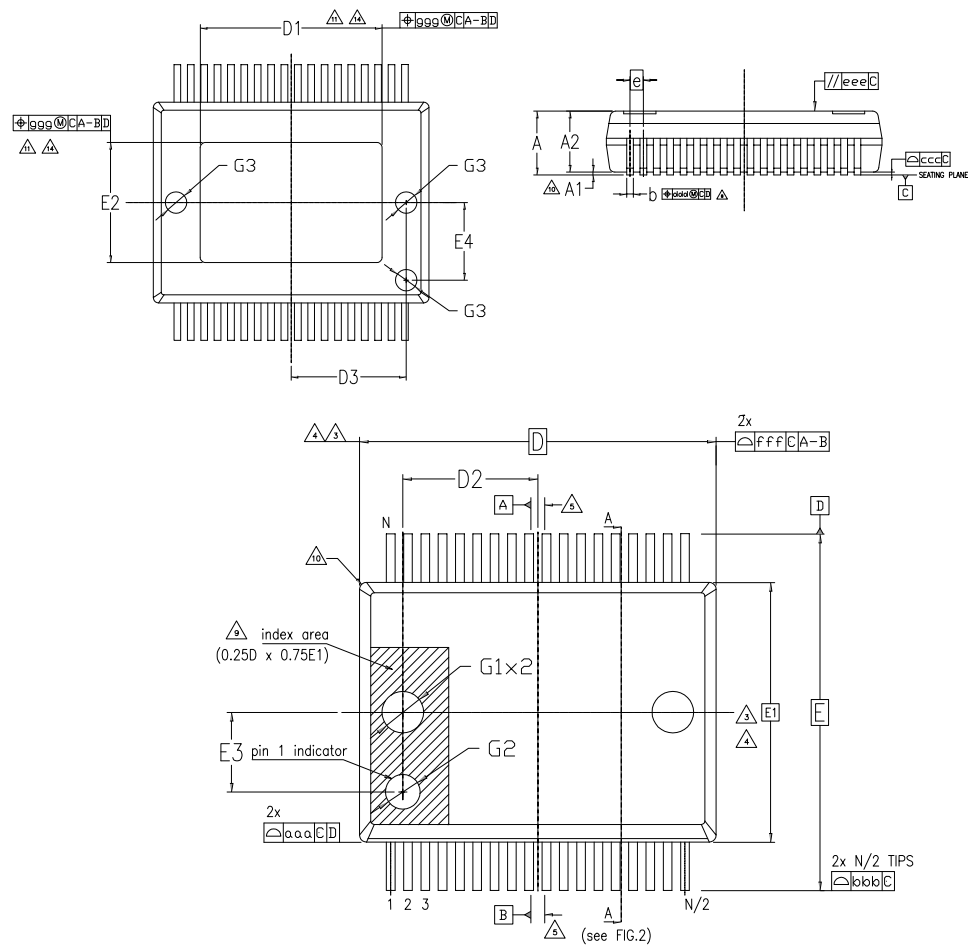


## 13 Package information

In order to meet environmental requirements, ST offers these devices in different grades of **ECOPACK** packages, depending on their level of environmental compliance. ECOPACK specifications, grade definitions and product status are available at: [www.st.com](http://www.st.com). ECOPACK is an ST trademark.

### 13.1 PowerSSO-36 package information

Figure 19. PowerSSO-36 package outline



7587131 rev9

Figure 20. PowerSSO-36 package outline details

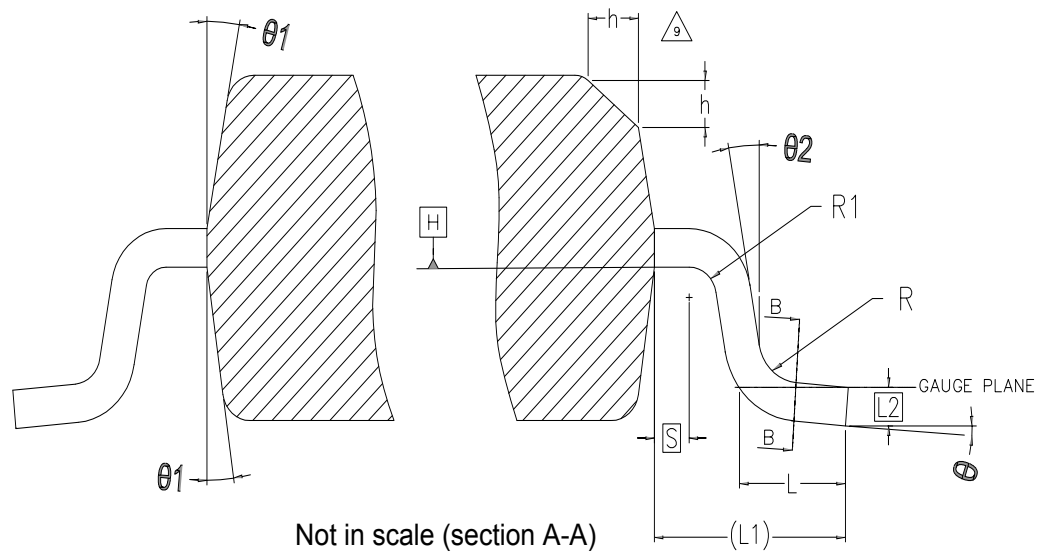
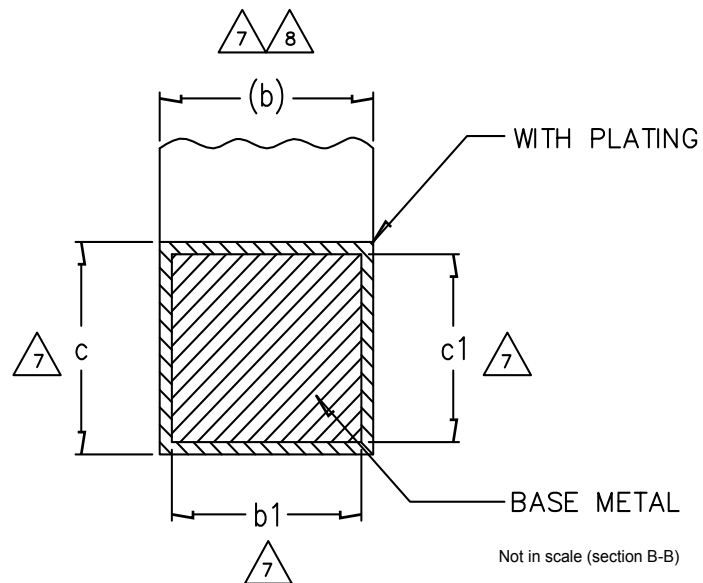


Figure 21. PowerSSO-36 package outline details (section B-B)



**Table 18. PowerSSO-36 mechanical data**

Dim.	mm		
	Min.	Typ.	Max.
e	0°		8°
e1	5°		10°
e2	0°		
A	2.15		2.45
A1	0.00		0.10
A2	2.15		2.35
b	0.18		0.32
b1	0.13	0.25	0.30
c	0.23		0.32
c1	0.20	0.20	0.30
D		10.30 BSC	
D1	7.00		7.40
D2		3.65	4.200
D3		4.30	
e		0.50 BSC	
E		10.30 BSC	
E1		7.50 BSC	
E2	4.20		4.60
E3		2.30	
E4		2.90	
G1		1.20	
G2		1.00	
G3		0.80	
h	0.30		0.40
L	0.60	0.70	0.85
L1		1.40 REF	
L2		0.25 BSC	
N		36	
R	0.30		
R1	0.20		
S	0.25		

## 13.2 PowerSSO-36 packing information

Figure 22. PowerSSO-36 tube shipment outline

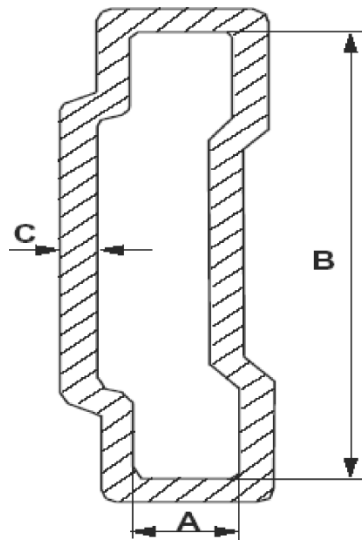
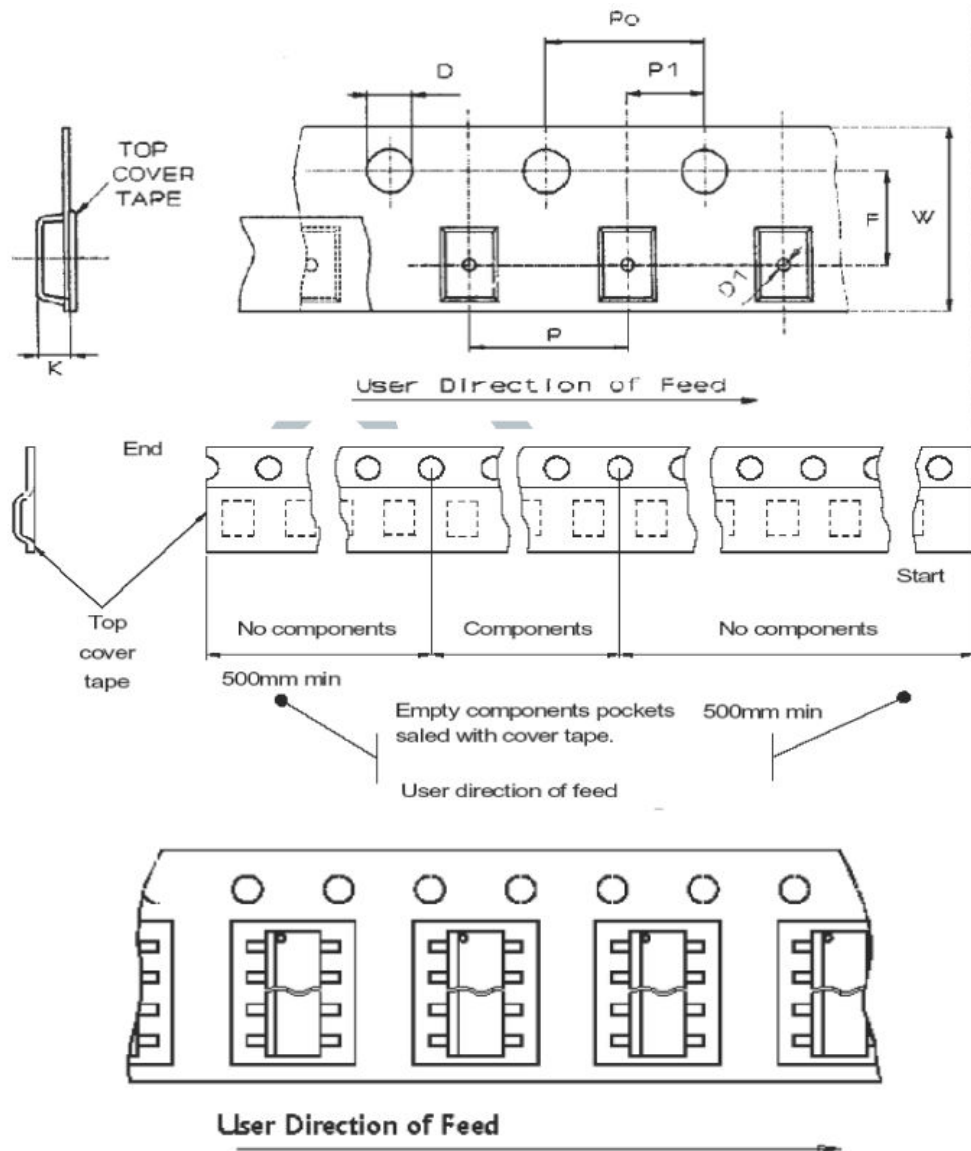


Table 19. PowerSSO-36 tube shipment mechanical data

Description	Value
Base quantity	49
Bulk quantity	1225
Tube length ( $\pm 0.5$ )	532
A	3.5
B	13.8
C ( $\pm 0.1$ )	0.6

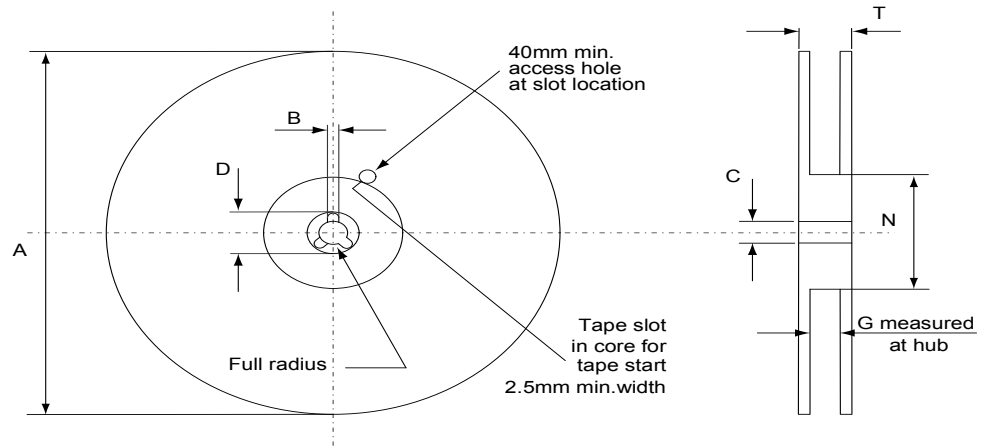
Note: All dimensions are in mm

**Figure 23. PowerSSO-36 tape dimension outline**

**Table 20. PowerSSO-36 tape dimension mechanical data**

Description	Dimensions	Value
Tape width	W	24
Tape hole spacing	P0 ( $\pm 0.1$ )	4
Component spacing	P	12
Hole diameter	D ( $\pm 0.05$ )	1.55
Hole diameter	D1 (min.)	1.5
Hole position	F ( $\pm 0.1$ )	11.5
Compartment depth	K (max.)	2.85
Hole spacing	P1 ( $\pm 0.1$ )	2

Note: According to the Electronic Industries Association (EIA) standard 481 rev. A, Feb 1986

Figure 24. PowerSSO-36 reel shipment outline



AM06038v1

Table 21. PowerSSO-36 reel dimension mechanical data

Description	Value
Base quantity	1000
Bulk quantity	1000
A max.	330
B min.	1.5
C ( $\pm 0.2$ )	13
F	20.2
G ( $2 \pm 0$ )	24.4
N min.	100
T min.	30.4

## 14 Ordering information

**Table 22. Ordering information**

Part number	Package	Packaging
VNI8200XP	PowerSSO-36	Tube
VNI8200XPTR		Tape and reel
VNI8200XP-32		Tube
VNI8200XPTR-32		Tape and reel

## Revision history

**Table 23. Document revision history**

Date	Revision	Changes
08-May-2015	1	Initial release.
09-Jun-2015	2	Updated $V_{CC}$ supply current parameter in table 5 and updated $V_{PGH1}$ , $V_{PGH2}$ , $V_{USD}$ , $I_{PEAK}$ , $I_{LIM}$ and Hyst parameters in table 9.
24-Aug-2015	3	Updated programmable watchdog time table. Datasheet status promoted from preliminary data to production data.
08-May-2023	4	Merged DS of VNI8200XP and VNI8200XP-32; changed IC Section Features in front page reordered; changed IC Section Description in front page; changed Figure 1; updated pin description in Table 1 changed Table 2; updated description in Table 3; changed $I_{LIM}$ (symbol and definition) in Table 9; changed title of Figure 7; add row (SPI communication fault) in Table 11; updated description in Section 8.11; updated description and add figures in Section 11; deleted old section 12 (Typical circuits and conventions) and moved Figure 12 in Section 9; deleted old section 14 (Interface timing diagram) and moved ex fig.15 (Serial timing) now Figure 3 in Section 4.2; deleted old section 15 (Switching parameter test conditions) and moved ex fig. 16 now Figure 4 and ex fig 17 now Figure 5 in Section 4.3; some minor changes.
15-May-2023	5	Changed Figure 1.



## Contents

<b>1</b>	<b>Block diagram</b> .....	<b>3</b>
<b>2</b>	<b>Pin connection</b> .....	<b>4</b>
<b>3</b>	<b>Maximum ratings</b> .....	<b>6</b>
<b>4</b>	<b>Electrical characteristics</b> .....	<b>7</b>
4.1	Power section .....	7
4.2	SPI characteristics .....	7
4.3	Switching .....	8
4.4	Logic inputs .....	9
4.5	Protection and diagnostic .....	9
4.6	Step-down switching regulator .....	11
4.7	LED driving array .....	11
<b>5</b>	<b>Reverse polarity protection</b> .....	<b>12</b>
<b>6</b>	<b>Demagnetization energy</b> .....	<b>13</b>
<b>7</b>	<b>Truth table</b> .....	<b>14</b>
<b>8</b>	<b>Pin function description</b> .....	<b>15</b>
8.1	SPI/parallel selection mode (SEL2) .....	15
8.2	Serial data in (SDI) .....	15
8.3	Serial data out (SDO) .....	15
8.4	Serial data clock (CLK) .....	15
8.5	Slave select (SS) .....	15
8.6	8/16-bit selection (SEL1) .....	16
8.7	Output enable (OUT_EN) .....	16
8.8	IC warning case temperature detection ( $\overline{\text{TWARN}}$ ) .....	17
8.9	Fault indication ( $\overline{\text{FAULT}}$ ) .....	17
8.10	Power Good ( $\overline{\text{PG}}$ ) .....	17
8.11	Programmable watchdog counter reset (WD) .....	17
<b>9</b>	<b>SPI operation (SEL2 = H)</b> .....	<b>19</b>
9.1	8-bit SPI mode (SEL1 = L) .....	19
9.2	16-bit SPI mode (SEL1 = H) .....	19
9.3	Daisy chaining .....	20
<b>10</b>	<b>LED driving array</b> .....	<b>21</b>
<b>11</b>	<b>Step-down switching regulator</b> .....	<b>22</b>
<b>12</b>	<b>Thermal management</b> .....	<b>23</b>



---

12.1	Thermal behavior .....	24
<b>13</b>	<b>Package information.....</b>	<b>25</b>
13.1	PowerSSO-36 package information .....	25
13.2	PowerSSO-36 packing information.....	28
<b>14</b>	<b>Ordering information .....</b>	<b>31</b>
	<b>Revision history .....</b>	<b>32</b>
	<b>List of tables .....</b>	<b>35</b>
	<b>List of figures.....</b>	<b>36</b>

## List of tables

<b>Table 1.</b>	Pin description . . . . .	4
<b>Table 2.</b>	Absolute maximum ratings . . . . .	6
<b>Table 3.</b>	Thermal data . . . . .	6
<b>Table 4.</b>	Power section . . . . .	7
<b>Table 5.</b>	SPI characteristics . . . . .	7
<b>Table 6.</b>	Switching . . . . .	8
<b>Table 7.</b>	Logic inputs . . . . .	9
<b>Table 8.</b>	Protection and diagnostic . . . . .	9
<b>Table 9.</b>	Step-down switching regulator . . . . .	11
<b>Table 10.</b>	LED driving array . . . . .	11
<b>Table 11.</b>	Truth table . . . . .	14
<b>Table 12.</b>	Pin function description . . . . .	15
<b>Table 13.</b>	Programmable watchdog time . . . . .	18
<b>Table 14.</b>	Command 8-bit frame (master-to-slave) . . . . .	19
<b>Table 15.</b>	Fault 8-bit frame (slave-to-master) . . . . .	19
<b>Table 16.</b>	Command 16-bit frame (master-to-slave) . . . . .	19
<b>Table 17.</b>	Fault 16-bit frame (slave-to-master) . . . . .	20
<b>Table 18.</b>	PowerSSO-36 mechanical data . . . . .	27
<b>Table 19.</b>	PowerSSO-36 tube shipment mechanical data . . . . .	28
<b>Table 20.</b>	PowerSSO-36 tape dimension mechanical data . . . . .	29
<b>Table 21.</b>	PowerSSO-36 reel dimension mechanical data . . . . .	30
<b>Table 22.</b>	Ordering information . . . . .	31
<b>Table 23.</b>	Document revision history . . . . .	32

## List of figures

<b>Figure 1.</b>	Block diagram . . . . .	3
<b>Figure 2.</b>	Pin connection (top view) . . . . .	4
<b>Figure 3.</b>	Serial timing . . . . .	8
<b>Figure 4.</b>	dV/dt(ON) and dV/dt(OFF), time diagram test conditions . . . . .	9
<b>Figure 5.</b>	t <sub>d(ON)</sub> and t <sub>d(OFF)</sub> , time diagram test conditions . . . . .	9
<b>Figure 6.</b>	Reverse polarity protection . . . . .	12
<b>Figure 7.</b>	Typical single pulse demagnetization: E <sub>OFF</sub> vs I <sub>OUT</sub> (V <sub>CC</sub> = 24 V, T <sub>AMB</sub> = 125 °C) . . . . .	13
<b>Figure 8.</b>	SPI mode diagram . . . . .	16
<b>Figure 9.</b>	Output channel enable/disable behavior . . . . .	16
<b>Figure 10.</b>	Power Good diagnostic . . . . .	17
<b>Figure 11.</b>	Watchdog reset . . . . .	18
<b>Figure 12.</b>	SPI directional logic convention . . . . .	19
<b>Figure 13.</b>	Example of daisy chaining connection . . . . .	20
<b>Figure 14.</b>	LED driving array . . . . .	21
<b>Figure 15.</b>	Typical circuit for switching regulation V <sub>DC-out</sub> = 3.3 V . . . . .	22
<b>Figure 16.</b>	Typical circuit for switching regulation V <sub>DC-out</sub> = 5 V . . . . .	22
<b>Figure 17.</b>	PowerSSO-36 thermal impedance vs. time . . . . .	23
<b>Figure 18.</b>	Thermal behavior . . . . .	24
<b>Figure 19.</b>	PowerSSO-36 package outline . . . . .	25
<b>Figure 20.</b>	PowerSSO-36 package outline details . . . . .	26
<b>Figure 21.</b>	PowerSSO-36 package outline details (section B-B) . . . . .	26
<b>Figure 22.</b>	PowerSSO-36 tube shipment outline . . . . .	28
<b>Figure 23.</b>	PowerSSO-36 tape dimension outline . . . . .	29
<b>Figure 24.</b>	PowerSSO-36 reel shipment outline . . . . .	30

**IMPORTANT NOTICE – READ CAREFULLY**

STMicroelectronics NV and its subsidiaries (“ST”) reserve the right to make changes, corrections, enhancements, modifications, and improvements to ST products and/or to this document at any time without notice. Purchasers should obtain the latest relevant information on ST products before placing orders. ST products are sold pursuant to ST’s terms and conditions of sale in place at the time of order acknowledgment.

Purchasers are solely responsible for the choice, selection, and use of ST products and ST assumes no liability for application assistance or the design of purchasers’ products.

No license, express or implied, to any intellectual property right is granted by ST herein.

Resale of ST products with provisions different from the information set forth herein shall void any warranty granted by ST for such product.

ST and the ST logo are trademarks of ST. For additional information about ST trademarks, refer to [www.st.com/trademarks](http://www.st.com/trademarks). All other product or service names are the property of their respective owners.

Information in this document supersedes and replaces information previously supplied in any prior versions of this document.

© 2023 STMicroelectronics – All rights reserved