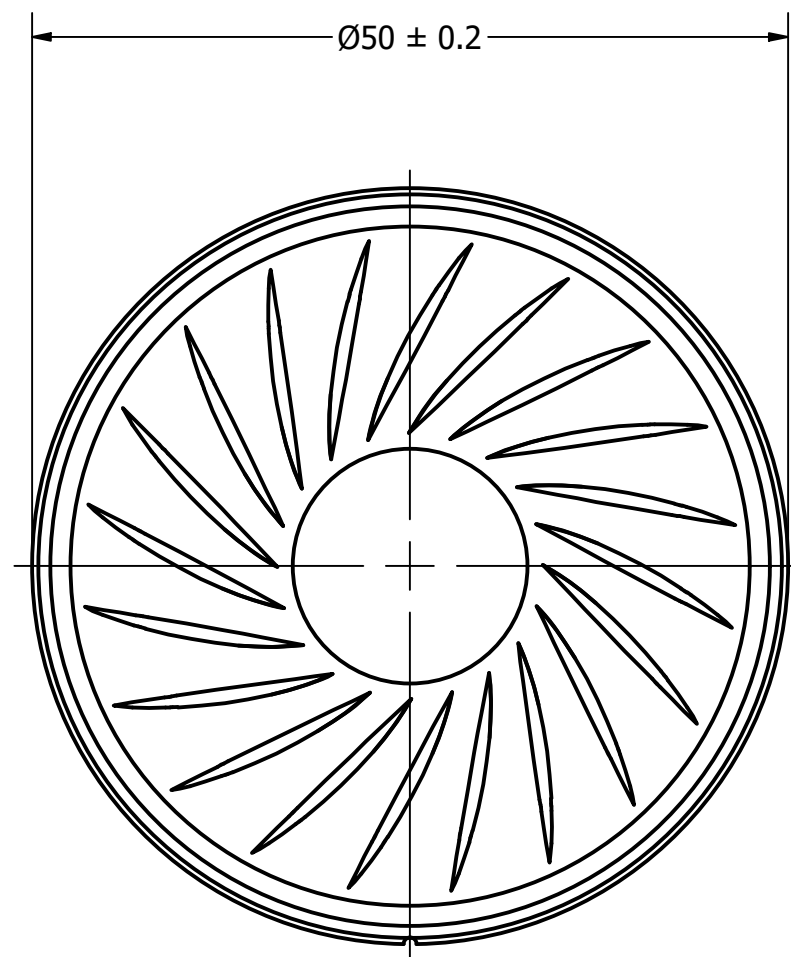




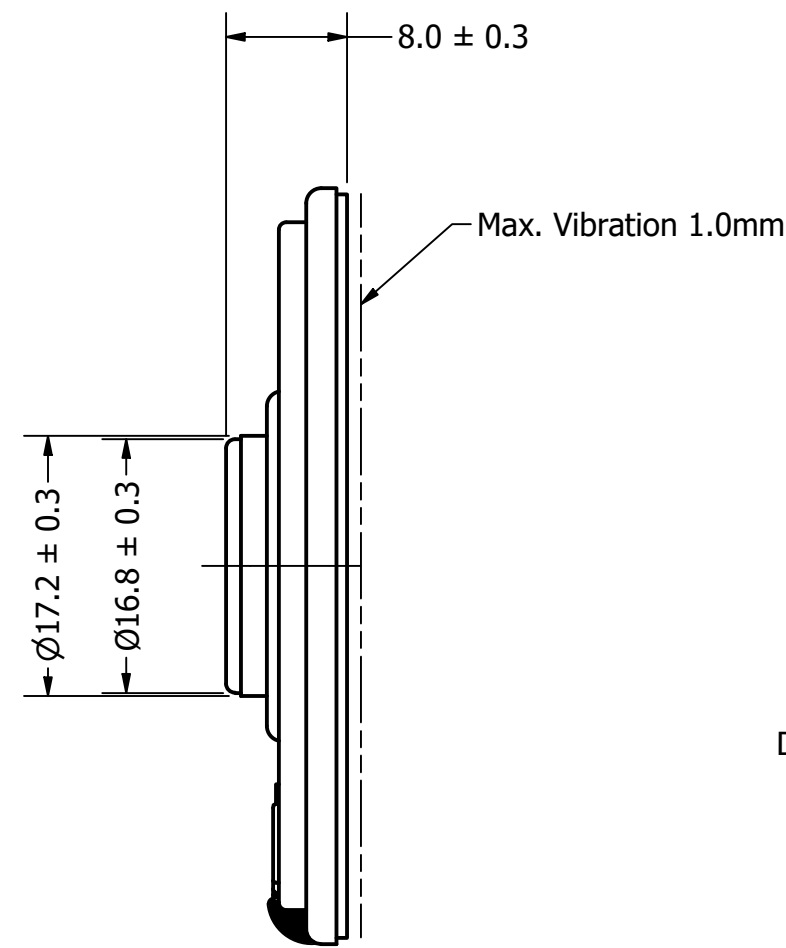
# DB UNLIMITED

Part Number:	SM500416-1	
	DRAWN CJ	5/23/2018
Description:	CHECKED C.H.	5/30/2018
	APPROVED C.E.	5/30/2018
	Dynamic Speaker	
This document contains data proprietary to DB Unlimited. Any use or reproduction, in any form, without prior written permission of DB Unlimited is prohibited. All terms and conditions can be found at <a href="http://www.dbunlimitedco.com">www.dbunlimitedco.com</a>		

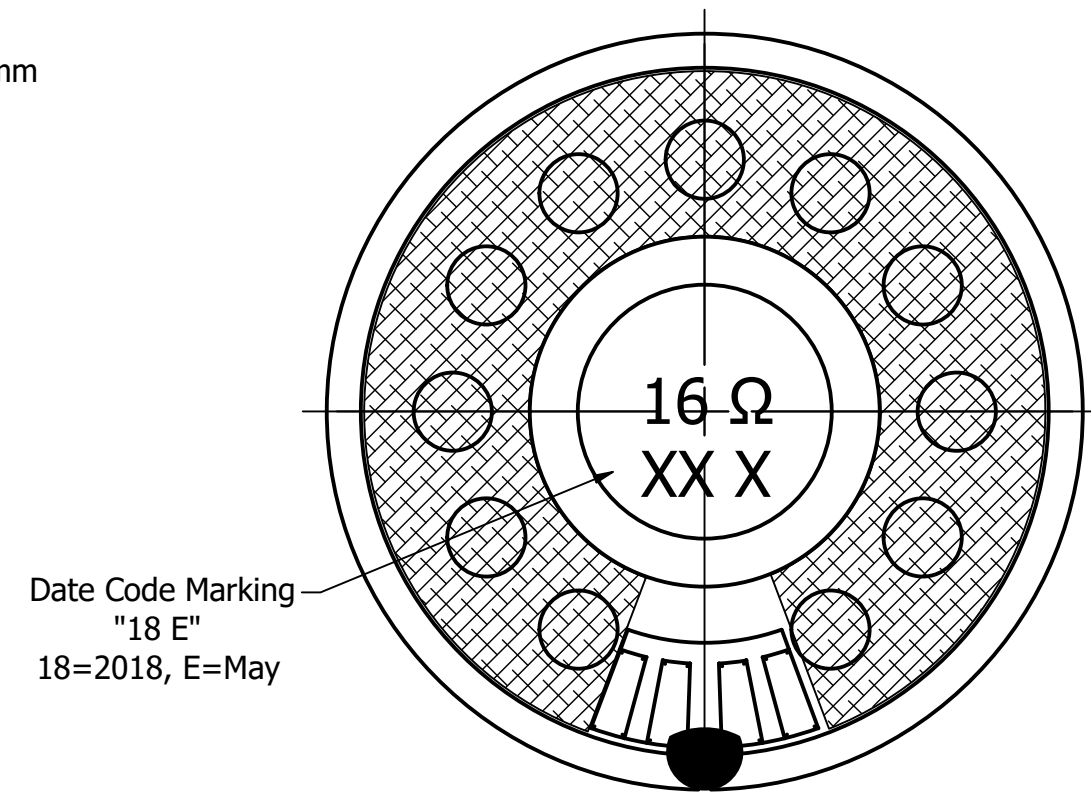
Top View



Side View



Bottom View



Items	Specifications	Conditions	REVISION HISTORY			
Sound Pressure Level	97	dB (@ 10cm), Avg.	REV	DESCRIPTION	DATE	APPROVED
Resonant Frequency	400	Hz		Released from Engineering	5/30/2018	C.E.
Frequency Range	400 ~ 5,000	Hz	1	Update back magnet detail	2/3/2018	C.E.
Nominal Power	0.25	W	NOTES			
Max. Power	0.5	W	1) All dimensions are in mm unless otherwise noted			
Impedance	16	Ω	2) All tolerances are ± 0.5 mm unless otherwise noted			
Cone Material	Mylar		3) All parts meet RoHS			
Mount Type	Flush Mount		4) Subject to change or redrawn without notice			
Storage Temperature	-30 ~ +70	°C				
Operating Temperature	-20 ~ +60	°C				