



MS56L Series

Ø56mm LED Signal Lights



- Compact LED warning light
- Direct mount
- Lead wire connection
- Rotating speed is adjustable

Specifications

Functions	Steady, Steady+Flashing, Rotating				
Power Supply		12VAC/DC	24VAC/DC	110VAC	220VAC
Current Consumption	Steady	0.1A	0.12A	0.03A	
	Rotating	0.8A	0.07A	0.03A	0.04A
Flash Rate (±10 times/minute)		110/60	80/80	80	
Vibration	0.75mm at 10~55Hz				
Insulation Resistance	100 MΩ minimum (500VDC mega)				
Ambient Temperature	-15~40°C				
Storage Temperature	-25~70°C				
Ambient Humidity	45 ~ 85% RH				
Certificate/Compliance	CE, RoSH				
Recommended Wire Size	UL1007/22AWG				
Degree of protection	IP65				
Weight	Approx. 66g				

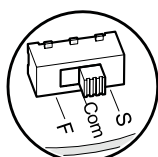
Ordering Information

MS56L - F 02 - R
 ① ② ③

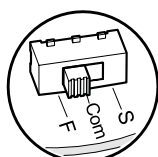
① Light Style	No mark	Steady
	F	Steady + Flashing
	R	Rotating
② Power Supply	01	12V AC/DC
	02	24V AC/DC
	10	110V AC
	20	220V AC
③ Lens Colors	R	Red
	Y	Yellow
	G	Green
	B	Blue
	C	Clear

Function controls

MS56L Series

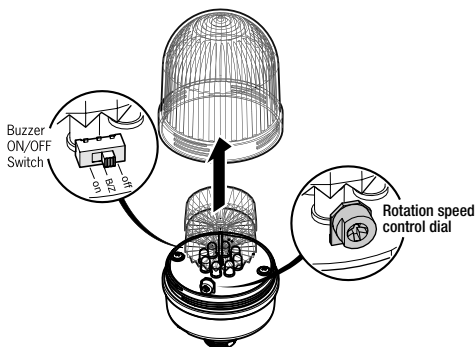


Steady

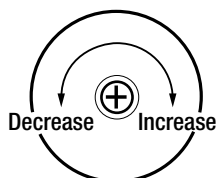


Flashing

MS66 Series



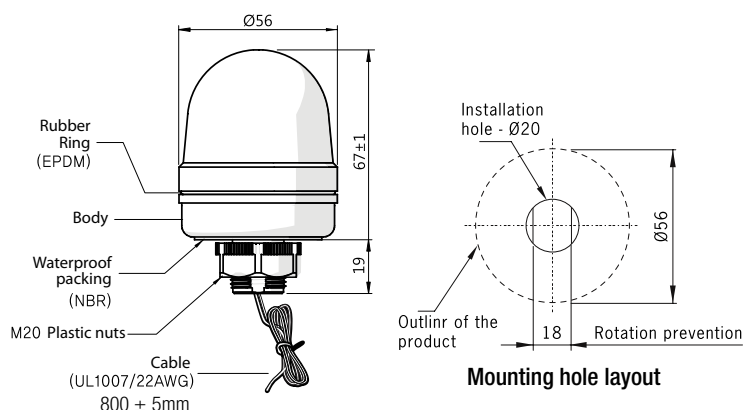
Rotation speed control



min40 to max300 RPM (±10%)
(Clockwise rotation)

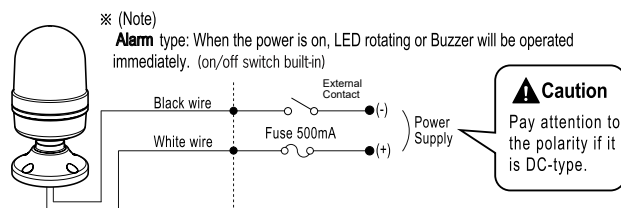
Dimensions

(unit: mm)



Wiring Diagram (MS56L & MS66)

12~24VAC/DC, 110~220VAC Rotating (Alarm)



Wall Mounting Option
(MS56L & MS66)

MAM-DS25



See page 19 - 21
for mounting options and accessories