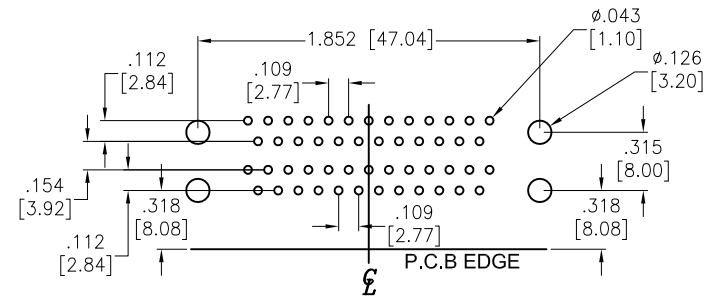
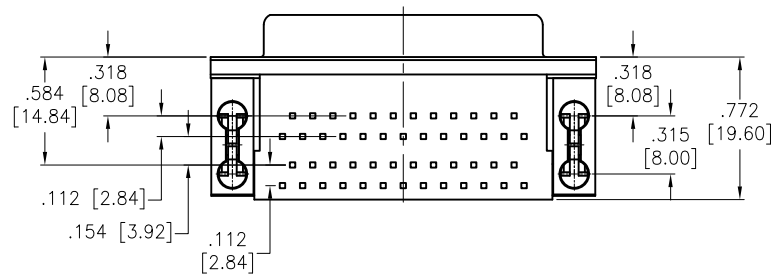
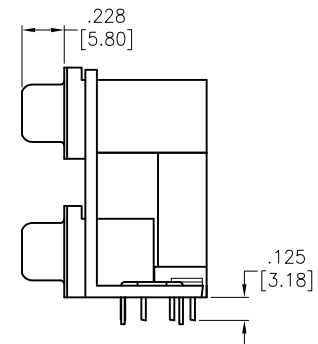
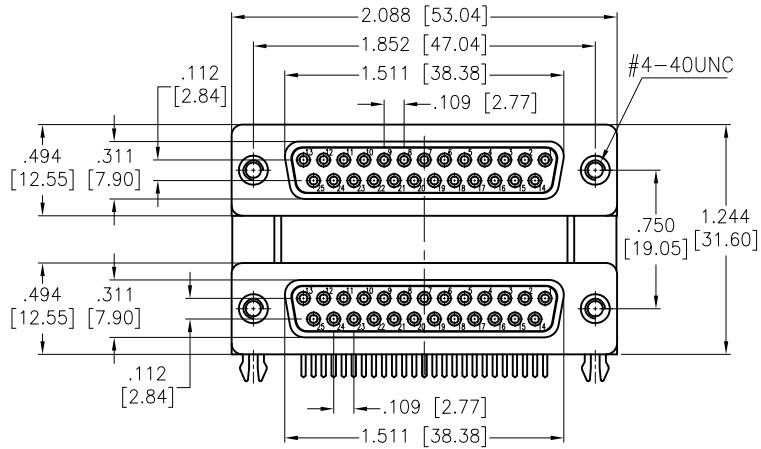


Rev	AWO #	Description	Date	Appr
-		RELEASED	7/26/18	

APPROVED: \_\_\_\_\_  
DATE: \_\_\_\_\_ TITLE: \_\_\_\_\_



RECOMMENDED PCB LAYOUT

**SPECIFICATIONS:**  
Material:  
Insulator: PBT, rated UL 94V-0  
Insulator color: Black  
Contacts: Copper Alloy  
Shell: SPCC, Nickel plated  
Boardlock: Copper Alloy, Tin plated  
Bracket: Zinc Alloy, Nickel plated  
Plating:  
Gold flash over Nickel underplate in contact area,  
Tin over Nickel underplate on solder tails.  
Electrical:  
Operation Voltage: 250 VAC (RMS) max  
Current rating: 3 Ampere per Contact  
Contact resistance: 25 mohms max  
Insulation resistance: 5,000 Mohms min  
Dielectric withstanding voltage: 1,000 VAC (RMS)  
Temperature Rating:  
Operating temperature: -55°C to +85°C  
Environmental:  
Lead free, RoHS compliant



UNLESS OTHERWISE SPECIFIED ALL DIMENSIONS ARE INCHES [MM] TOLERANCES: EXCEPT AS NOTED		
INCHES		
.X ± .10	∅.X ± .10	HOLES
.XX ± .020	∅.XX ± .015	
.XXX ± .015	∅.XXX ± .010	
APPROVALS		DATE
DRAWN	AY	7/26/18
CHECKED	LW	7/26/18
APPROVED		

**ADAM TECH INTERCONNECTS** 909 Rahway Avenue,  
Union, NJ 07083  
Phone: 908-687-5000  
Fax: 908-687-5710

TITLE: **DUAL PORT D-SUB, 25P FEMALE OVER 25P FEMALE**

SIZE X	PART NO. DPD-25-00-B3	REV. -
REF: S00027T	SCALE: NTS	SHEET 1 OF 1

6 5 4 3 2 1

6 5 4 3 2 1

D

D

C

C

B

B

A

A