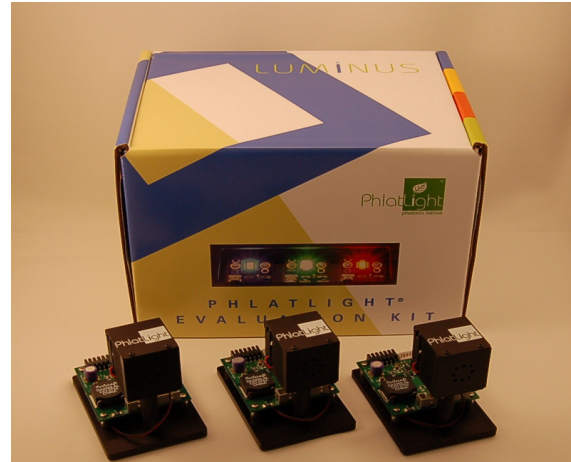


Development Kit Manual

DK-114N-1 and DK-114N-3



Overview

Big Chip LEDs from Luminus Devices have been designed from the ground up to enable a new class of illumination and projection systems. Benefiting from a suite of innovations in chip technology, packaging, and thermal management, Big Chip LEDs allow designers to achieve efficient light engine designs and deliver high brightness solutions.

The DK-114N series development kit is a comprehensive solution designed specifically to support the development of single and three channel PT and CBT series Big Chip LEDs. Each channel of the kit, comprising of a high current driver, an efficient thermal management solution and cables is capable of sourcing a drive current of 14 A and ensures that CBT and PT series LEDs are operated at up to 70 W for maximum brightness. This plug and play solution can easily be connected to common laboratory equipment through standard connectors and allows system designers to save weeks in their development cycles.

Table of Contents

- 1. Key Features2
- 2. Development Kit Contents2
 - 2.1 Heat Sink and Driver Board2
 - 2.2 Cable Assembly3
 - 2.3 TIM and Mounting Hardware4
- 3. User Instructions4
 - 3.1 Device Mounting Instructions5
 - 3.2 Electrical Connections6
 - 3.3 Operation6
- 4. Appendix9

1. Key Features

- Drive any CBT or PT series Big Chip LED up to 14 A
- Pulse frequencies of greater than 40 kHz possible
- Analog current control via on-board potentiometer or external voltage
- Simple current and voltage measurements
- Fast rise and fall times - less than 1 microsecond
- Fast current level switching - less than 5 microseconds

2. Development Kit Contents

The DK-114N-1 and DK114N-3 are similar in all aspects; while the DK-114N-1 supports one channel, the DK-114N-3 supports three channels. All instructions in this manual are based on the DK-114N-1 and can easily be replicated in the DK-114N-3. As shown in Figure 1, the DK-114N-1 consists of:

- Heat sink and driver board
- Cable assemblies
- Thermal interface materials and mounting hardware
- User Manual

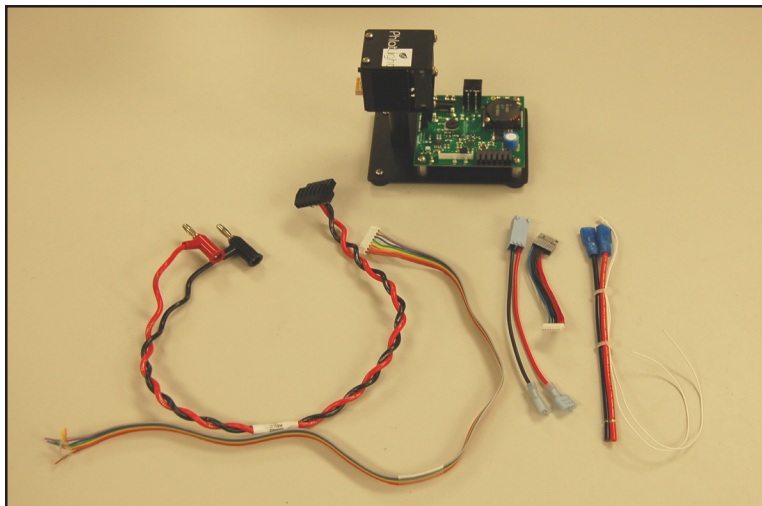


Figure 1: Contents of DK-114N-1

A list of contents of the development kit is given in Appendix A. This development kit is designed with flexible features to allow easy evaluation of the Big Chip LEDs but is not optimized for size or for direct integration into end products. However, the underlying circuit

and thermal design can be used as a reference by system designers; to this effect, design files including schematics, mechanical drawings, and bill of materials are available upon request. PT, CBT, and CST series LEDs are built in the common anode configuration. To enable driving these LEDs, the driver circuit, based on National Semiconductor’s LM3433 IC, is configured in the grounded common anode topology (refer Appendix B), which enables anodes of multiple LEDs to be in electrical contact with each other without necessitating electrical isolation. Further design support for the driver can be obtained at <http://www.national.com>.

2.1 Heat-Sink and Driver Board

The heat sink, measuring only 40 mm x 40 mm x 40 mm is a high performance, low cost, compact air cooled aluminum extrusion, and enables significant power dissipation to the ambient by virtue of its low thermal resistance (0.6 °C/W). The bolt pattern on the front allows for easy mounting of all CBT and PT series modules.



Figure 2: Heat sink

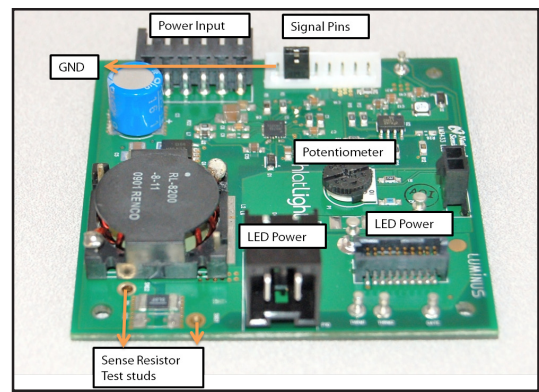


Figure 3: Driver board

The driver board, designed with National Semiconductor’s LM3433 IC (Figure 3), is mounted close to the heat-sink allowing for minimal cable lengths (<3”) which help prevent current ringing when pulsing LEDs. The driver board, because of its grounded common anode topology, requires a -12V DC input with respect to ground and can provide up to 14 A to LEDs in either CW or pulsed mode. PWM dimming is achieved with a 0-5 V signal from a function generator and frequencies up to 40 kHz are supported. Figure 3 depicts the layout of the driver board along with the commonly used pins and readouts. The signal pins are used to achieve external current control and provide PWM dimming; the orientation of these pins is also shown, starting with pin 1(GND) on the left. Appendix C lists the pin-out for the signal pins.

Note: The heat sink conducts power even though it is grounded.

2.2 Cable Assembly

Each development kit includes the following cables:

- Power supply to driver board cable
- Driver board to LED cables
- Signal cable
- Thermistor cable

The figures below illustrate the cables included in the DK-114N-1.

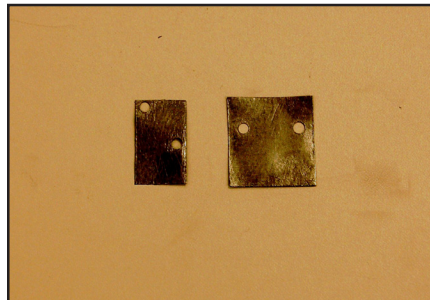


Figures 4-7: From left to right: Power supply to driver board cable, Signal cable, Driver board to LED cable, Thermistor cable

Figure 6 depicts two types of driver board to LED cables: the shorter cable (with either 8 - or 10- pins on the LED connector) on the left, used with LEDs such as PT39, PT40, CBT-40 and PT54, and the longer cable with the two spade connectors on the right, used with LEDs such as the CBT-90, PT-120 and CBT-120. There are five different variants of the shorter driver board to LED cable : 960011 to be used with PT39, PT54 and CBT-40; 960043 to be used with PT40-RA; 960044 to be used with PT40-G/B; 960045 to be used with PT54-TE-RA and 960046 to be used with PT54-TE-G/B. These five cables have labels that contain the cable number and the LEDs to which they connect--users must match the LED they use to the appropriate cable since connecting an incorrect cable can damage the LED. For optimum performance, and to avoid ringing when pulsing the LEDs, increasing the length of the driver board to LED cable is not recommended.

2.3 Thermal Interface Material (TIM) and Mounting Hardware

The development kit includes precut sheets of eGraf HiTherm 1205, a high performance thermal interface material, and M2x5, M2.5x6 screws required for mounting the LEDs.



3. User Instructions

The following sections explain the set-up and operation of the DK-114N-1 Development Kit. Additional lab equipment such as a 12 V laboratory power supply, an oscilloscope, a waveform generator, a multimeter and a photodetector are required to power and use the DK-114N-1. Table 1 lists a recommended model for the equipment and Appendix D provides an additional list of compatible power supplies. The use of a table equipped with ESD protection is recommended.

Table 1: Additional Lab Equipment	
Lab Equipment	Model
12 V Lab Power Supply	Lambda ZUP20-20
Oscilloscope	Tektronix TDS 3024B
Waveform Generator	Agilent 33220A
Multimeter	Fluke 187
Photodetector	Thorlabs PDA10A

3.1 Device Mounting Instructions

Ineffective heat sinking may lead to premature LED degradation or failure. The following steps explain how a device is mounted on the heat sink while ensuring good thermal contact between the copper core-board and the heat sink:

1. Use a thermal interface sheet that is slightly larger than the core-board (Figure 7).

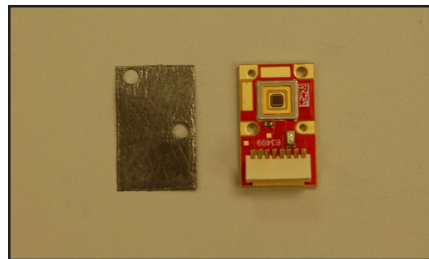


Figure 8: PT-39 LED and an appropriate TIM sheet

2. The heat sink surface must be free of dust particles. Place the thermal interface sheet on the heat sink with its pre-drilled holes matching the holes on the heat sink.
3. Place the device on the thermal interface sheet.
4. Insert screws in the holes of the coreboard and tighten. To ensure equal pressure is exerted by all screws, alternate tightening each screw until the board is securely fastened. The device is now mounted and ready for electrical connections (Figure 9).

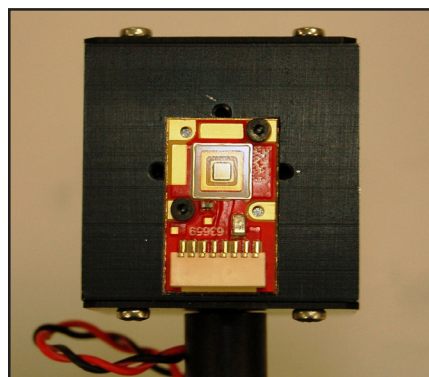


Figure 9: LED mounted on heat sink

3.2 Electrical Connections

1. The power supply being used must be capable of providing sufficient power to drive the LED. Preset the output voltage to 0V and keep the power supply switched off until all connections are established. The positive terminal of the power supply should be at ground; the negative terminal would then supply a negative voltage with respect to ground.
2. Connect the driver board to the LED and the power supply using the cables provided in the kit. The choice of the driver board to LED cables is based on the LED connector— LEDs such as PT-39, PT-54 and CBT-40 require the appropriate variant of the shorter 3" cable while LEDs such as CBT-90, PT-120 and CBT-120 with the 2 pin spade connector require the longer cable. Figure 10 illustrates the electrical connections to the driver board; while both types of driver board to LED cables are shown for illustration, only one is required.

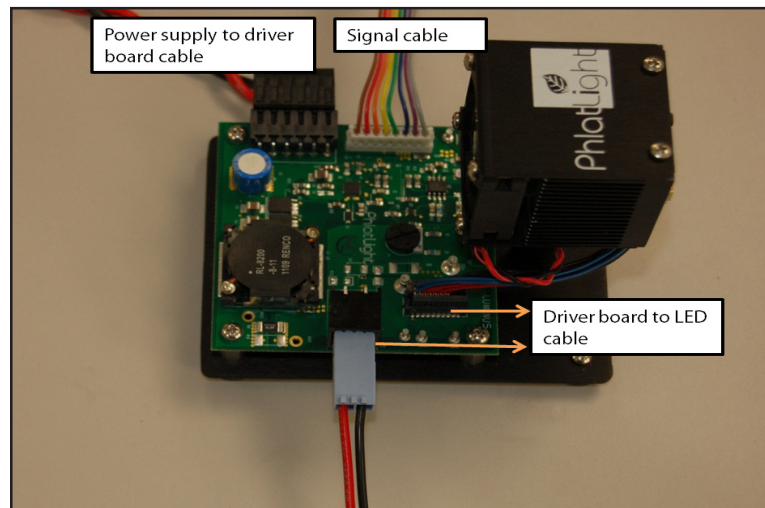


Figure 10: Completed electrical connections on DK-114N-1

3. Use the jumper provided with the driver board to short signal pins 2 and 3 (see Figure 3 and Appendix C). These pins correspond to Analog ADJ and POT; shorting them enables the on-board potentiometer. Alternatively, the jumper can be removed and signal cable can be used to short the Analog ADJ and POT pins.
4. Set the POT to the minimum current setting by rotating it fully counter-clockwise. The embedded arrow should point towards the "10" on the POT.
5. The development kit is now ready to be powered on. Turn on the power supply and increase the source voltage to -12V with respect to ground. The driver will draw about 1-2 A current.

CAUTION: Do not set the power supply higher -12V; doing so may damage the driver.

3.3 Operation

The DK-114N-1 can be used to drive LEDs in continuous-current controlled mode via the on-board POT or through an external analog voltage. Additionally, each channel has inputs for PWM dimming using an external function generator and supports frequencies up to 40 kHz.

1. Current control via the on-board POT is achieved by shorting the Analog ADJ and POT pins. Clockwise rotation of the POT increases the current, while counter-clockwise rotation decreases the current.

CAUTION: The driver board is capable of providing 14 A to any LED. LEDs has different drive current limitations and care must be taken not to exceed these limitations. Consult product data sheets for current and junction temperature limitations of specific LEDs.

2. To determine the current through the LED, measure the voltage across the sense resistor test studs (see Figure 3). Figure 11 shows the relationship between the sense resistor voltage (V_{sense}) and the LED current, (I_{LED}), which is also calculated using:

$$I_{LED} = \frac{V_{Sense}}{R_{Sense}}$$

where the sense resistance, $R_{sense} = 0.005 \Omega$.

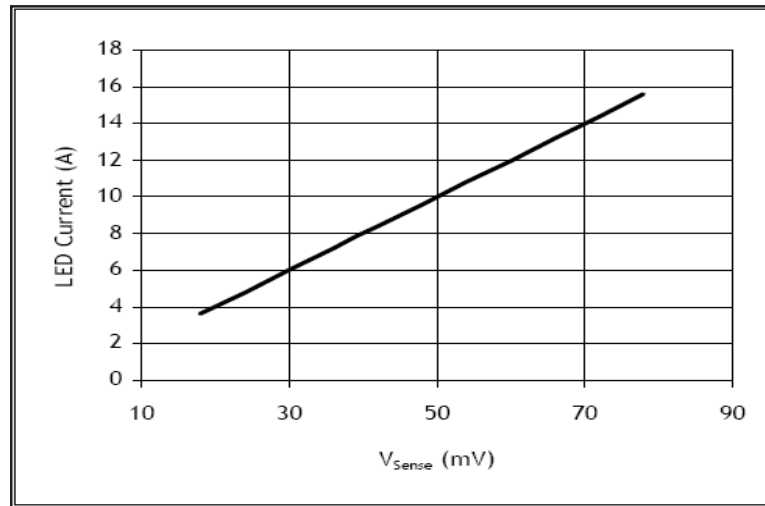


Figure 11: LED Current as a function of V_{sense}

3. To control the current externally, connect the positive of a 0-5 V signal to the Analog ADJ pin and the negative to the GND pin, using the signal cable. Figure 12 shows the relationship between the LED current and the external voltage.

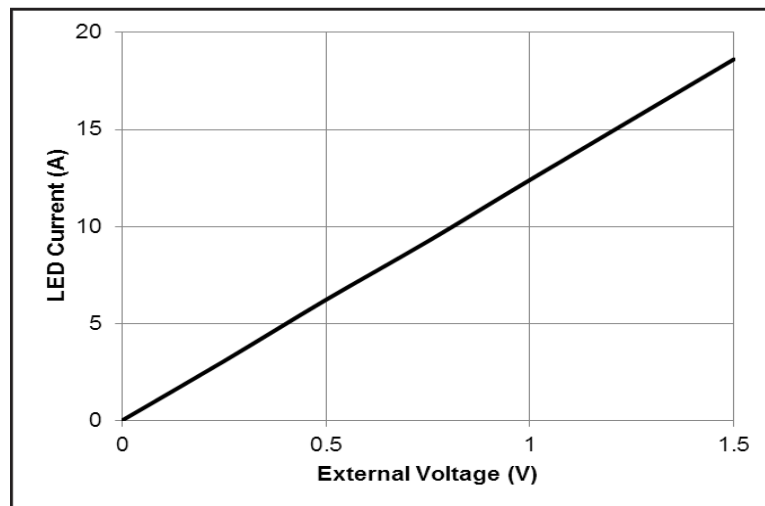


Figure 12: LED Current as a function of External Voltage

4. To modulate the LEDs through PWM, connect the 0-5 V pulsed output of a waveform generator across the PWM and GND pins on the signal cable, with the PWM pin at a positive voltage with respect to GND. 5 V represents Off and 0 V represents On. The Analog ADJ and POT pins must be shorted; this allows for the LED's peak current to be controlled via the on-board POT. Proper operation is best monitored by using a photo detector to observe the light output from the LED. Note: Exceeding 5 V on the PWM pin may cause permanent damage to the driver board.

5. Coreboard temperature of the Big Chip LEDs is monitored using a Murata Manufacturing Co. thermistor (part number NCP15XH103J03RC). When using the short 8-pin cable, the on board thermistor is connected to test points THRM1 and THRM2 on the driver board. Signal Pins 7 and 8 are also thermistor test points and are equivalent to THRM2 and THRM1. Figure 13 shows the relationship between the thermistor (coreboard) temperature and the resistance between the thermistor test points. Note that there is a temperature rise from the thermistor to the LED junction; for guidance on estimating the LED junction temperature (T_j), refer to appropriate product datasheets. To monitor coreboard temperature when using the two pin driver board to LED cable, the thermistor cable (Fig 7) must be connected to the on board thermistor. The resistance across the cable's leads can then be used to monitor temperature.



Figure 13: Coreboard temperature as a function of thermistor resistance

Appendix A: Contents of DK-114N-1 and DK-114N-3

Table 2: Table of Contents		
	DK-114N-1	DK-114N-3
Description	Quantity	Quantity
Driver board	1	3
Heat sink with mounting screws	1	3
Power supply to driver board cable	1	3
Driver board to LED cable (short, 8-pin or 10-pin LED connector)-five variants	1 each	3 each
Driver board to LED cable (long, for 2-pin spade connector)	1	3
Signal cable	1	3
Thermistor cable	1	3
TIM sheets	4	12
User Manual	1	1

Appendix B: Grounded Common Anode Topology

PT, CBT and CST series Big Chip LEDs are built with a common anode configuration, where the copper coreboard is at a positive electrical potential with respect the LED cathode. In a system with multiple LEDs in direct contact with a common heat sink, the common anode configuration causes poses a challenge to electrically addressing and isolating individual LEDs. The driver board in the DK-114N-1, based on National Semiconductor's LM3433 IC, addresses the challenge of connecting multiple common anode LEDs by utilizing a grounded common anode topology, i.e., the anode is kept at ground and the cathode is at a negative potential, thus enabling LEDs to be in contact directly with the heat sink. A basic schematic, using three grounded common anode LEDs is shown below in Figure 14. It is important to note that while the heat sink is at ground, there is still power passing through it.

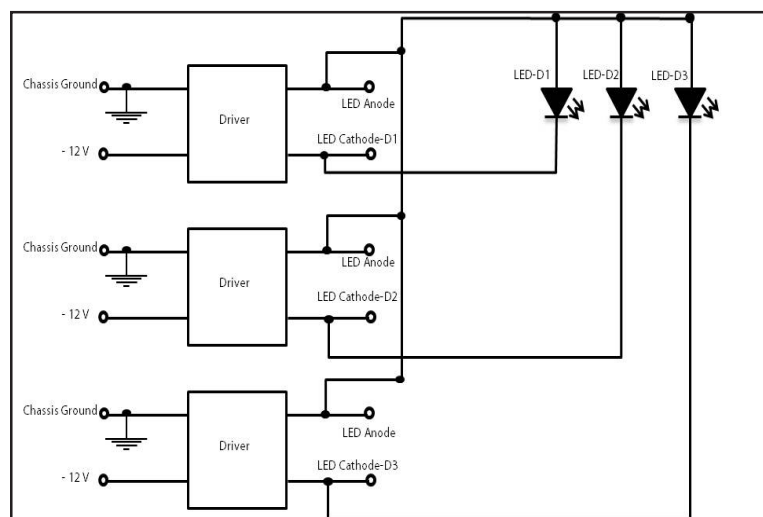


Figure 14: Grounded common anode configuration

Appendix C: Driver Board Pin-out

Pin	Description
Pin 1	GND
Pin 2	Analog ADJ
Pin 3	POT
Pin 4	Enable
Pin 5	PWM
Pin 6	Vinx
Pin 7	Thermistor
Pin 8	Thermistor

Appendix D: Isolated AC/DC Power Supplies

Table 3 lists a few isolated AC-DC power supplies. A power supply with isolated outputs is required to properly drive the common anode LEDs and failure to use an isolated power supply may damage the driver board. For best efficiency, select a power supply that closely matches the required power.

Power	Manufacturer	Input	Output V/I	Size	Mounting	Part #
30 W	CUI Inc.	85-264 VAC (47-400 Hz)	12 V / 2.5 A	3.7" x 2" x 0.85"	Thru-hole/SMT	FSK-S30-12U
50 W	Omron	85-264 VAC (47-63 Hz)	12 V / 4.2 A	5" x 3.34" x 1.57"	DIN Rail	S8SP-05005
50 W	Lambda Power	90-264VAC (47-63Hz)	12 V / 3 A	3.62" x 1.46" x 6.26"	Enclosed/Chassis mount	SWS Series
60 W	Globtek Inc.	90-264 VAC (47-440Hz)	12 V / 5 A	5.24" x 2.39" x 1.62"	External/Desktop	DPS50
75W	Lambda Power	90-264 VAC (47-63Hz)	12 V / 6.3 A	3.7" x 1.69" x 6.69"	Enclosed/Chassis mount	SWS Series
100 W	Lambda Power	90-264 VAC (47-63Hz)	12 V / 8.5 A	3.78" x 1.77" x 7.4"	Enclosed/Chassis mount	SWS Series
100 W	Elpac Power	100-264 VAC (47-63Hz)	12V / 8.3	7.36" x 4.33" x 2.32"	External/Desktop	FWP10012- D8F-NC
120 W	AULT Inc. AC	100-264 VAC (47-63Hz)	12 V / 10 A	9" x 2.9" x 2"	Medical/External	MW122RA12X XF01
125 W	Power-One Solutions	90-264 VAC (47-63Hz)	12 V / 10.5 A	5" x 3" x 1.25"	Open Frame	MBP125-1012
150 W	Lambda Power	90-264 VAC (47-63Hz)	12 V / 12.5 A	3.9" x 2" X 7.8"	Enclosed/Chassis mount	SWS Series

Appendix E: Driver Specifications

Table 5 Driver board specifications			
Input Specifications	Value	Unit	Note
Input Voltage	12	V	
Max Supply current/channel	7	A	
Efficiency	>90	%	
Output Specifications	Value	Unit	Note
Max output current	17	A	
Output current ripple (pulsed)	<10	%	of set current
Output Pulse Rise time	<1	μs	
Output Pulse Fall Time	<1	μs	
Output Setting Time	<5	μs	min current to max
Control Specifications	Value	Unit	Note
Max Pulse Frequency	>40	k Hz	
Duty Cycle Range	0-100	%	

Appendix F: Driver Board Schematic and Pinout

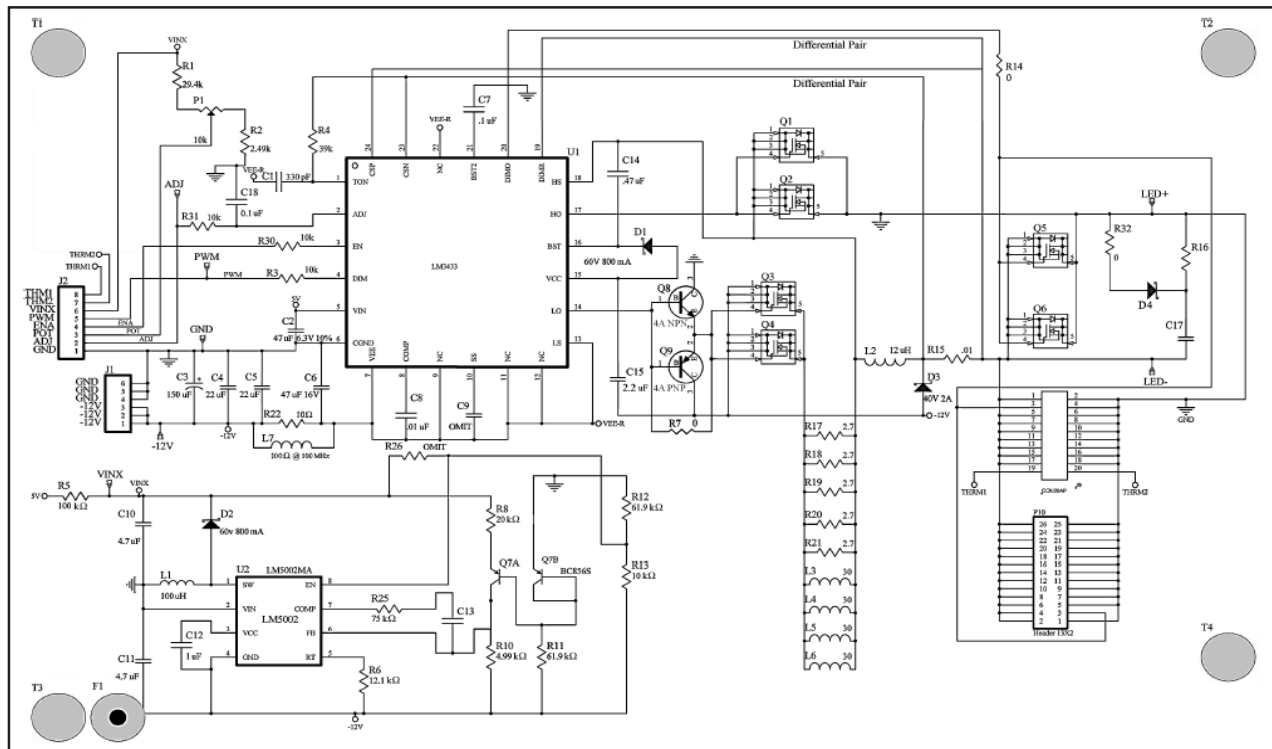


Figure 15: Schematic of driver board