
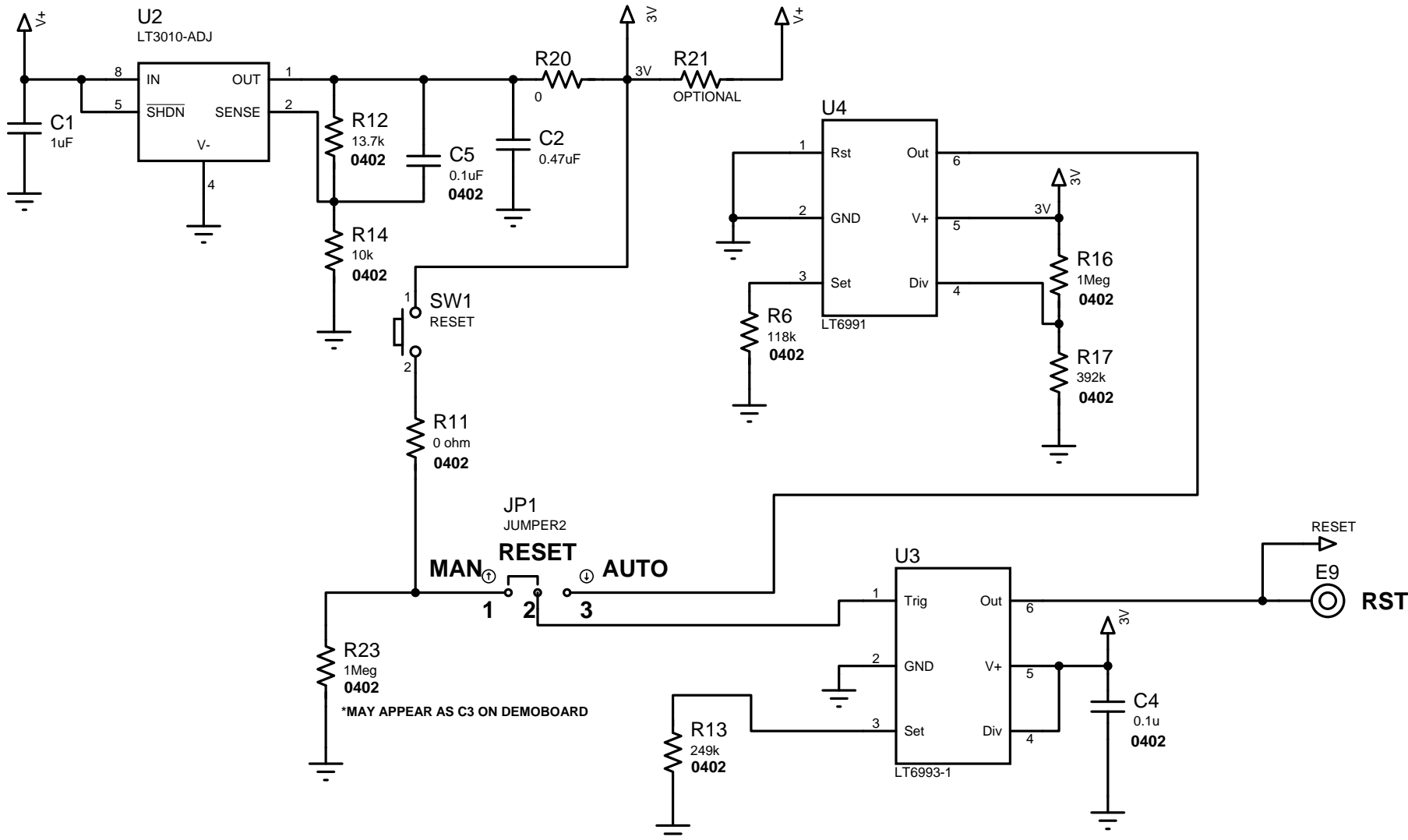


* ASSY		IC
-A		LT6109IMS-1
-B		LT6109IMS-2

NOTES: UNLESS OTHERWISE SPECIFIED

1. ALL RESISTORS ARE IN OHMS, 0603
2. ALL CAPACITORS ARE IN MICRO FARADS, 0603
3. INSTALL SHUNTS AT J1 PIN 1+2
4. OPTIONAL COMPONENTS ARE NOT INSTALLED

CUSTOMER NOTICE		APPROVALS					1630 McCarthy Blvd. Milpitas, CA 95035 PH: (408) 432-1900 WWW.LINEAR.COM LTC CONFIDENTIAL FOR-CUSTOMER USE ONLY		
LINEAR TECHNOLOGY HAS MADE A BEST EFFORT TO DESIGN A CIRCUIT THAT MEETS CUSTOMER-SUPPLIED SPECIFICATIONS; HOWEVER, IT REMAINS THE CUSTOMER'S RESPONSIBILITY TO VERIFY PROPER AND RELIABLE OPERATION IN THE ACTUAL APPLICATION. COMPONENT SUBSTITUTION AND PRINTED CIRCUIT LAYOUT MAY SIGNIFICANTLY AFFECT CIRCUIT PERFORMANCE OR RELIABILITY. CONTACT LINEAR TECHNOLOGY APPLICATIONS ENGINEERING FOR ASSISTANCE.							PCB DES.	CL	TITLE: SCHEMATIC
THIS CIRCUIT IS PROPRIETARY TO LINEAR TECHNOLOGY AND SUPPLIED FOR USE WITH LINEAR TECHNOLOGY PARTS.				APP ENG.	CUYLER L.	PRECISION CURRENT SENSE WITH COMPARATORS AND REFERENCE			
						SIZE	IC NO.	REV	
						N/A	LT6109IMS-1/-2	1	
				SCALE = NONE		DEMO CIRCUIT 1659A			
						DATE:	05/2010	SH 1 of 2	



<p>CUSTOMER NOTICE</p> <p>LINEAR TECHNOLOGY HAS MADE A BEST EFFORT TO DESIGN A CIRCUIT THAT MEETS CUSTOMER-SUPPLIED SPECIFICATIONS; HOWEVER, IT REMAINS THE CUSTOMER'S RESPONSIBILITY TO VERIFY PROPER AND RELIABLE OPERATION IN THE ACTUAL APPLICATION. COMPONENT SUBSTITUTION AND PRINTED CIRCUIT LAYOUT MAY SIGNIFICANTLY AFFECT CIRCUIT PERFORMANCE OR RELIABILITY. CONTACT LINEAR TECHNOLOGY APPLICATIONS ENGINEERING FOR ASSISTANCE.</p> <p>THIS CIRCUIT IS PROPRIETARY TO LINEAR TECHNOLOGY AND SUPPLIED FOR USE WITH LINEAR TECHNOLOGY PARTS.</p>	<p>APPROVALS</p>				<p>1630 McCarthy Blvd. Milpitas, CA 95035 PH: (408) 432-1900 WWW.LINEAR.COM LTC CONFIDENTIAL FOR-CUSTOMER USE ONLY</p>	
	PCB DES.	CL			<p>TITLE: SCHEMATIC</p>	
	APP ENG.	CUYLER L.	<p>PRECISION CURRENT SENSE WITH COMPARATORS AND REFERENCE</p>			
	<p>SCALE = NONE</p>		<p>SIZE N/A</p>	<p>IC NO. LT6109IMS-1/-2 DEMO CIRCUIT 1659A</p>	<p>REV 1</p>	
<p>DATE: 05/2010</p>			<p>SH 2 of 2</p>			