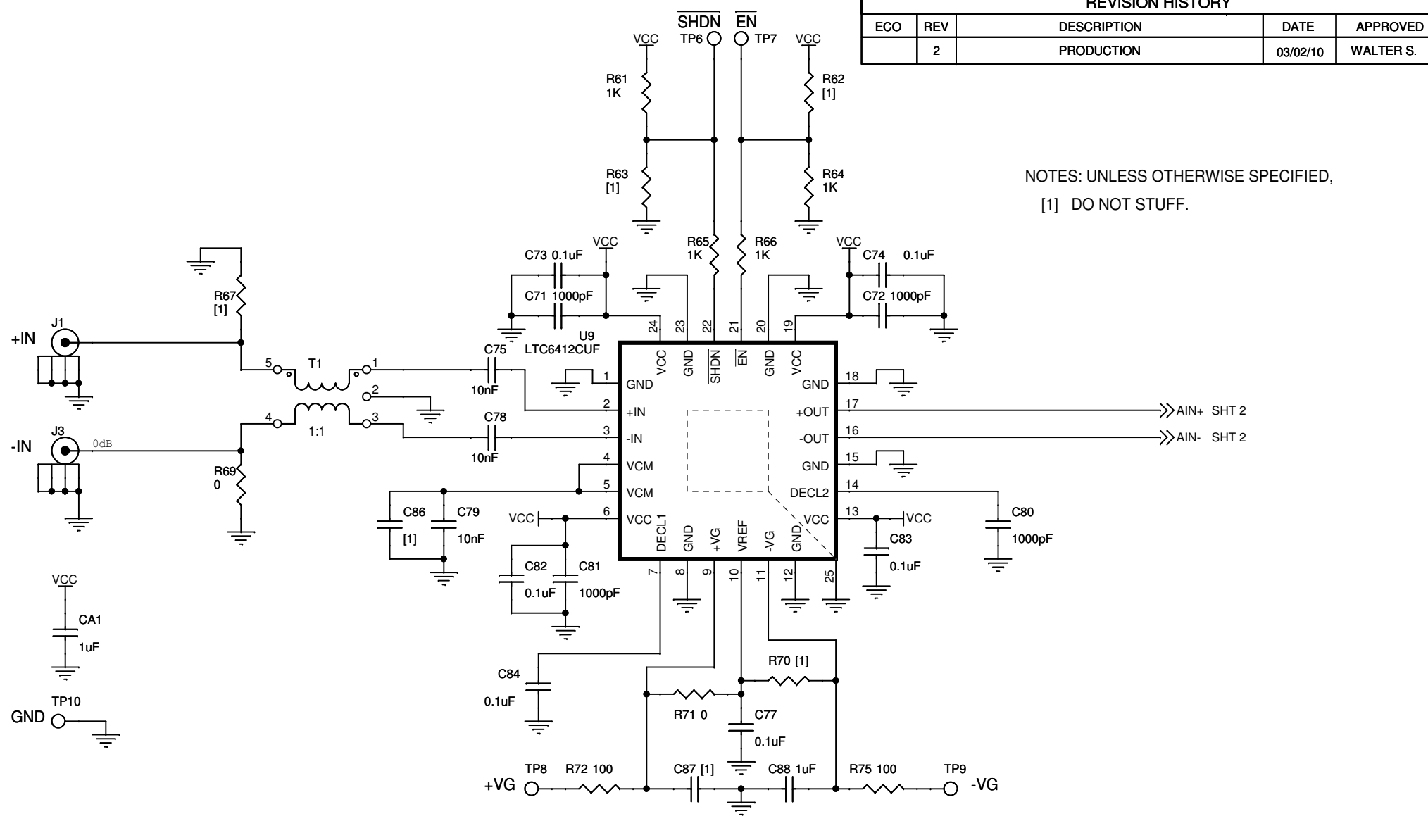


REVISION HISTORY				
ECO	REV	DESCRIPTION	DATE	APPROVED
	2	PRODUCTION	03/02/10	WALTER S.



NOTES: UNLESS OTHERWISE SPECIFIED,  
[1] DO NOT STUFF.


**CUSTOMER NOTICE**  
 LINEAR TECHNOLOGY HAS MADE A BEST EFFORT TO DESIGN A CIRCUIT THAT MEETS CUSTOMER-SUPPLIED SPECIFICATIONS; HOWEVER, IT REMAINS THE CUSTOMER'S RESPONSIBILITY TO VERIFY PROPER AND RELIABLE OPERATION IN THE ACTUAL APPLICATION. COMPONENT SUBSTITUTION AND PRINTED CIRCUIT BOARD LAYOUT MAY SIGNIFICANTLY AFFECT CIRCUIT PERFORMANCE OR RELIABILITY. CONTACT LINEAR TECHNOLOGY APPLICATIONS ENGINEERING FOR ASSISTANCE.

THIS CIRCUIT IS PROPRIETARY TO LINEAR TECHNOLOGY AND SUPPLIED FOR USE WITH LINEAR TECHNOLOGY PARTS.

**APPROVALS**

PCB DES.	MI
APP ENG.	WALTER S.

SCALE = NONE



1630 McCarthy Blvd.  
 Milpitas, CA 95035  
 Phone: (408)432-1900 www.linear.com  
 Fax: (408)434-0507  
 LTC Confidential-For Customer Use Only

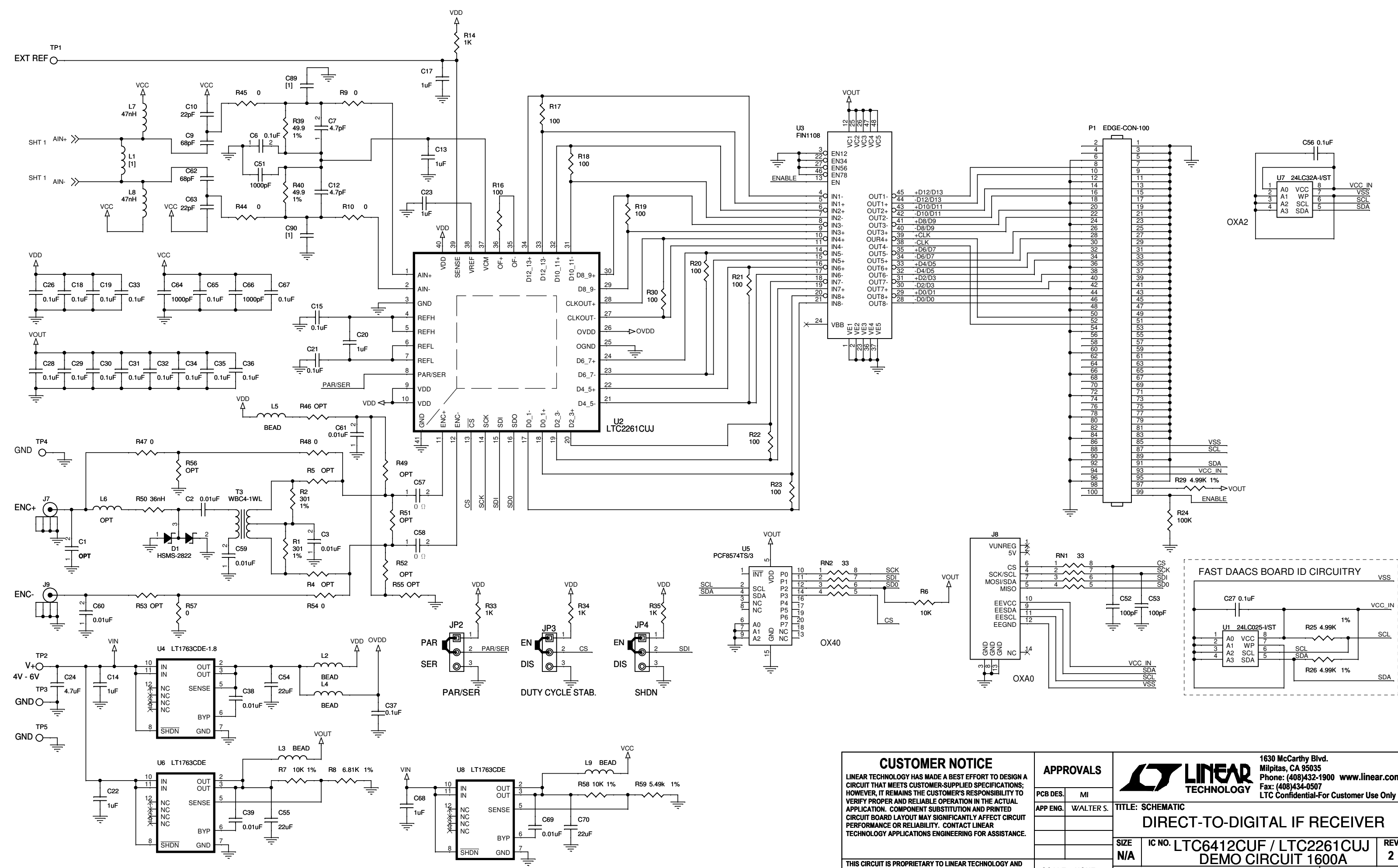
TITLE: SCHEMATIC

**DIRECT-TO-DIGITAL IF RECEIVER**

SIZE N/A	IC NO. LTC6412CUF / LTC2261CUJ DEMO CIRCUIT 1600A	REV. 2
-------------	--	-----------

DATE: Tuesday, March 02, 2010

SHEET 1 OF 2



**CUSTOMER NOTICE**  
 LINEAR TECHNOLOGY HAS MADE A BEST EFFORT TO DESIGN A CIRCUIT THAT MEETS CUSTOMER-SUPPLIED SPECIFICATIONS; HOWEVER, IT REMAINS THE CUSTOMER'S RESPONSIBILITY TO VERIFY PROPER AND RELIABLE OPERATION IN THE ACTUAL APPLICATION. COMPONENT SUBSTITUTION AND PRINTED CIRCUIT BOARD LAYOUT MAY SIGNIFICANTLY AFFECT CIRCUIT PERFORMANCE OR RELIABILITY. CONTACT LINEAR TECHNOLOGY APPLICATIONS ENGINEERING FOR ASSISTANCE.

THIS CIRCUIT IS PROPRIETARY TO LINEAR TECHNOLOGY AND SUPPLIED FOR USE WITH LINEAR TECHNOLOGY PARTS.

APPROVALS		TITLE: SCHEMATIC	SIZE N/A	IC NO. LTC6412CUF / LTC2261CUJ	REV. 2
PCB DES.	MI				
APP ENG.	WALTER S.	DATE: Tuesday, March 02, 2010			
SCALE = NONE		SHEET 2 OF 2			

