



Addressable LED Neon strip



1 Years Warranty

Product Description

Addressable LED Neon flex side emitting
silicon material with uniform light distribution without light dot
cutting unit 31.25mm and minimum bending diameter is 60mm
SMD RGB LED chip with Mirco IC built in ,individually control
High UV & salt spray corrosion resistance IP65 for outdoor
3m per reel ,6pcs mounting clips per reel included

Application

mini Signage and illuminated adverting
Casino Coin machine
car decorative lighting

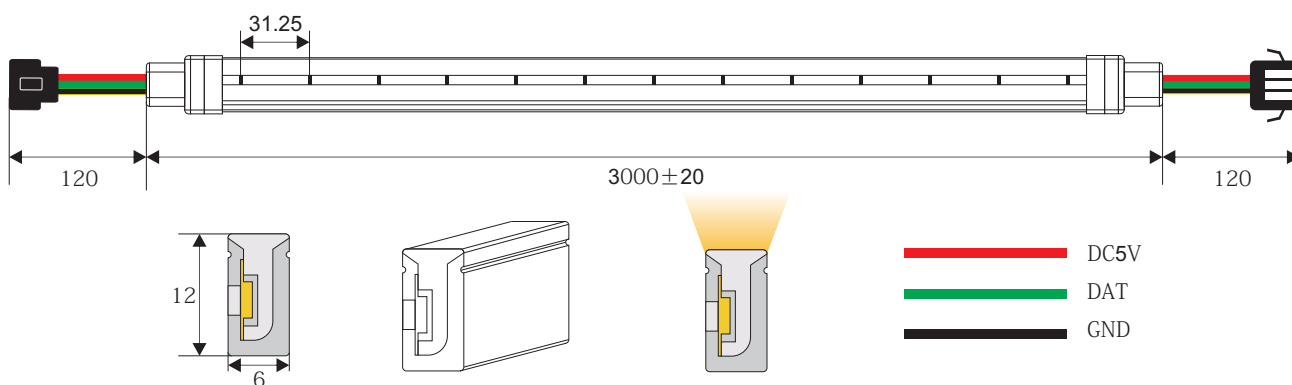




Product Datasheet

P/N	N006096YA3SF
Luminance (LM/M)	R: 20 G: 53 B: 8
Dimension	L: 1000MM* W: 6MM* H:12 MM
Material	Silicon
LED Type	SMD RGB
LED Quantity	96 leds/m
Operating Voltage	DC5V
Wattage / Meter	13W/M
IP Level	IP65
Operation Temperature	-30°C ~ 45°C
Pixel/M	96Pixels-SPI
Net Weight	0.2kg/roll (1m)
Color Sequence	RGB

Outline Dimension (MM)

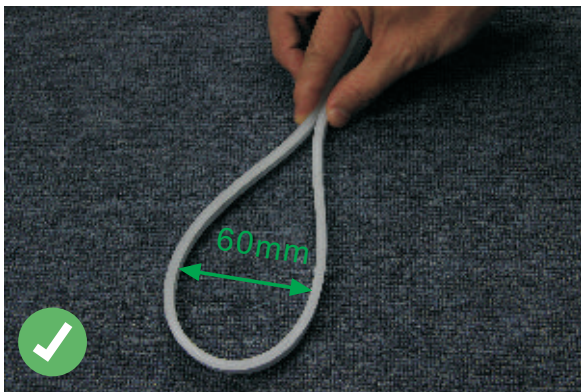
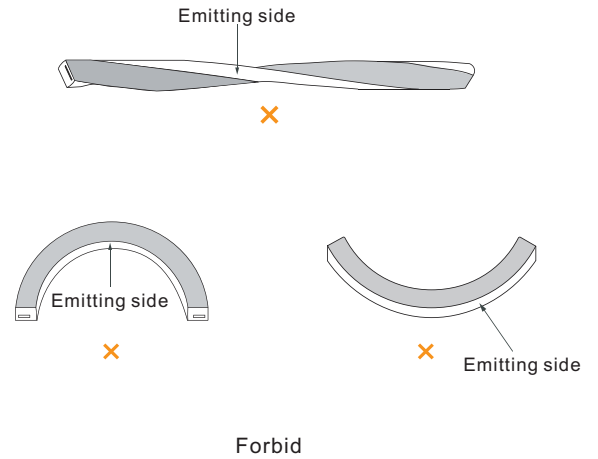
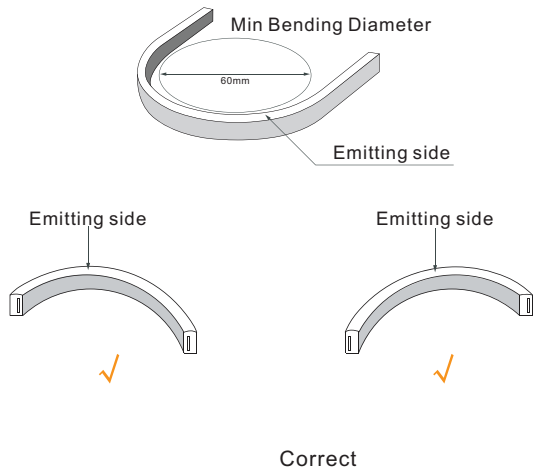


Accessory(Excluded)

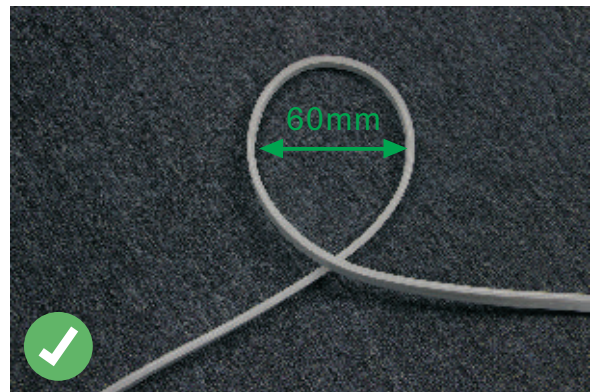
Name	Aluminum clip	Aluminum card slot	Silicone glue	Front cap	Front cap
Illustration					
Remarks	L: 20 mm	L: 1000 mm	10 ml / pc		



Correct bending way

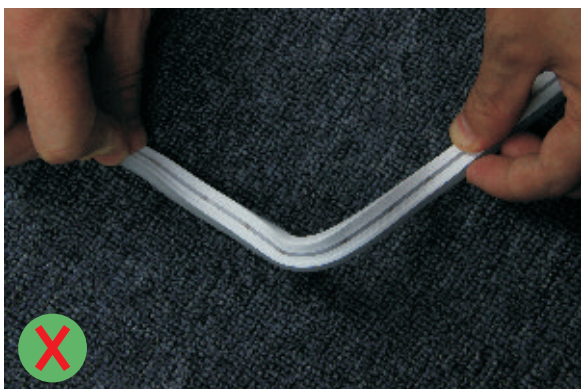


Face to the lighting surface and fold the strip.
The minimum bending diameter is 80mm



Lighting surface upwards and the strip can be bended to right or left naturally, The minimum bending diameter is 100mm

Incorrect bending way



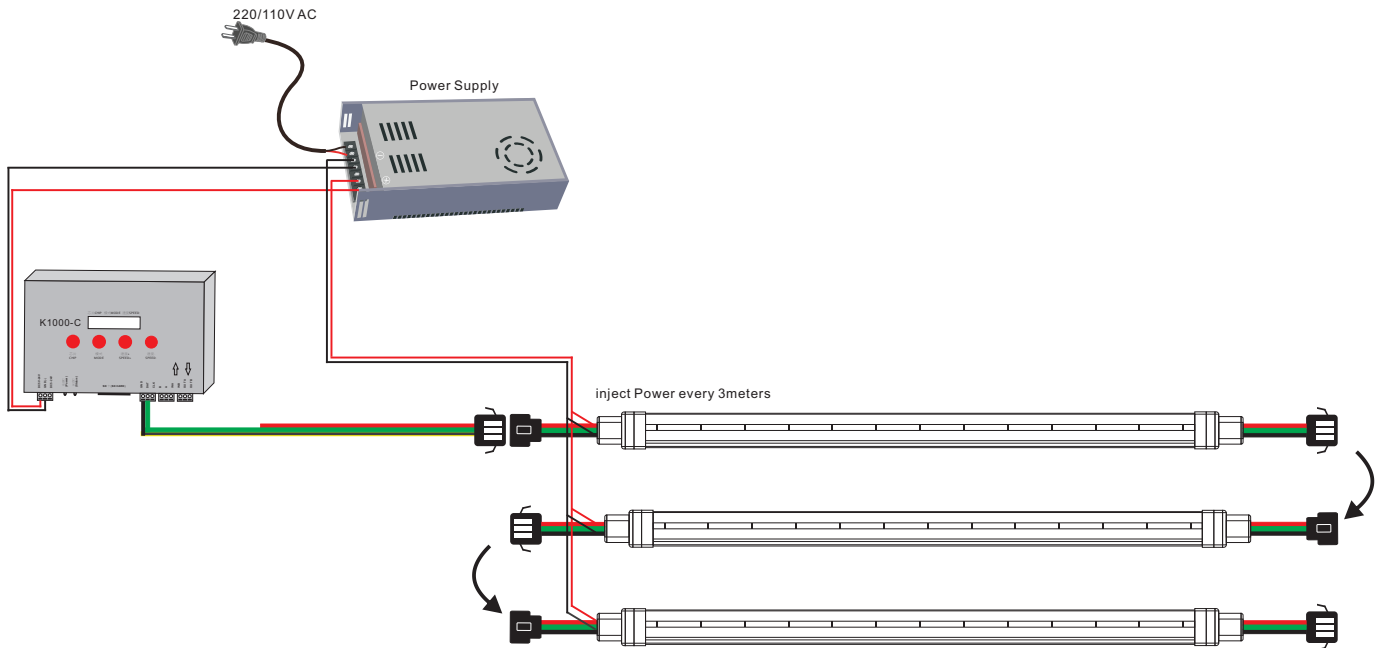
Face to the side surface (as the picture shows), Do not bend it downward to damage the strip.



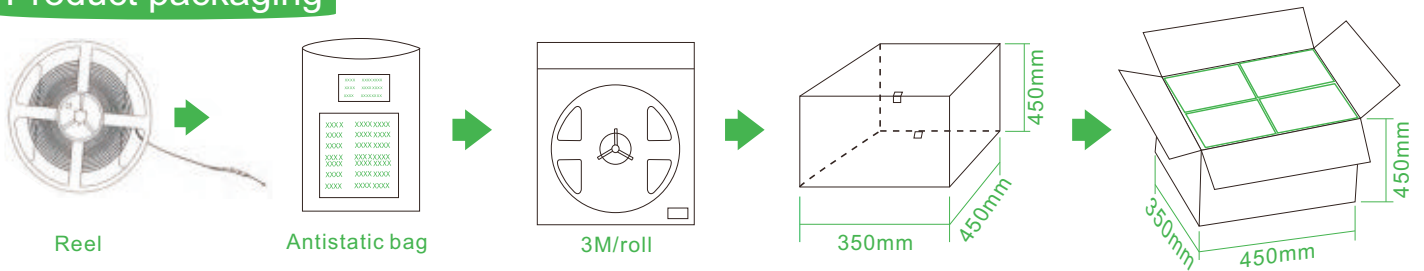
(as the picture shows) please do not twist the strip, or it will be damaged



Connection



Product packaging



Product number	Standard length	Quantity / volume	outer carton size	Weight(kg)/reel
N006096YA3SF	3M	50 Reels	L450xW350xH450mm	0.5kg
/				/
/				/
/				/
/				/
/				/

NOTES

- 1、 Please apply different IP rate products according to different environment conditions;
- 2、 Adopt suitable power supply to match the LED strips. Power is 20% bigger than max power of LED strips to ensure long time performance of power supply;
- 3、 Do not install it when power is on. Before powering on, please make sure the wiring is correct;
- 4、 Avoiding changing or damaging the circuit or other component on the strip;
- 5、 Avoid dragging, over bending in installation;
- 6、 In order to get the best lighting effect, please do not connect overlong;
- 7、 Please do not stare at the light for long time when it is working to protect your eyes;
- 8、 only professional personnel may dismantle and repair.