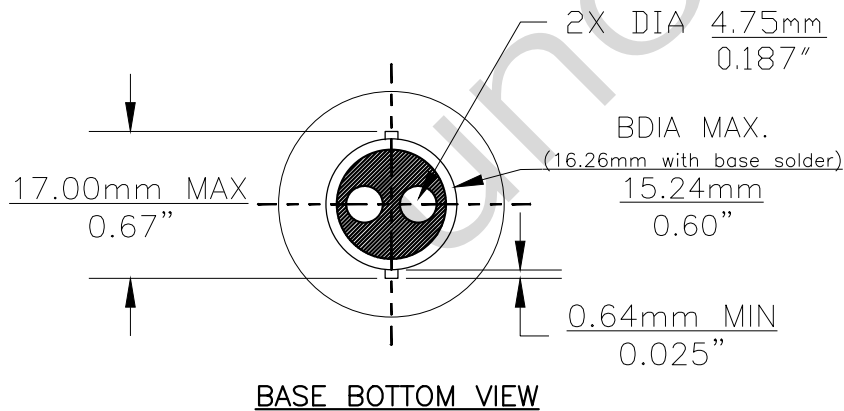
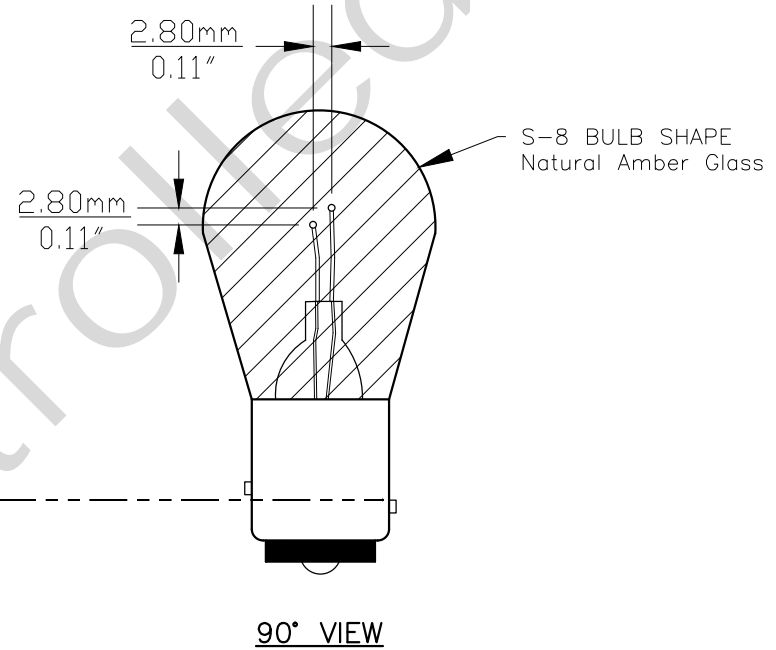
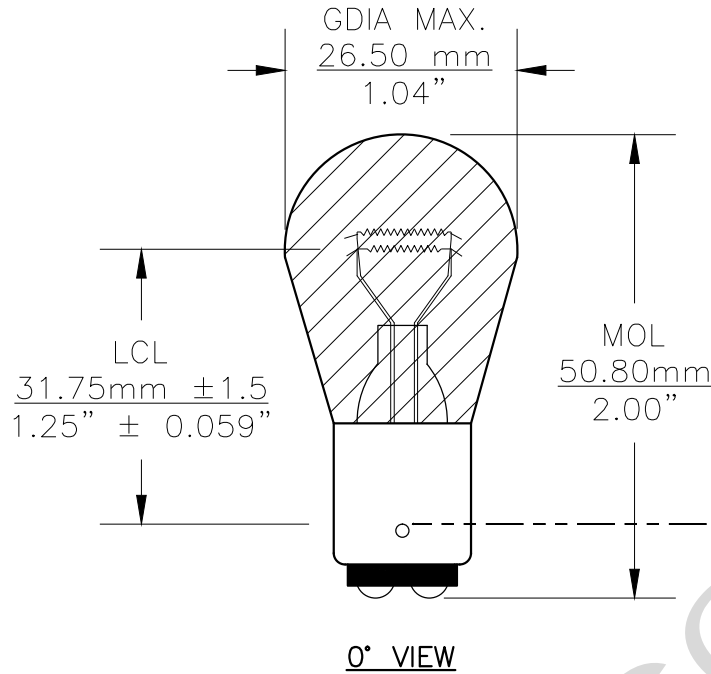




Since 1959

PART NO.	BASE TYPE	DESIGN VOLTS	DESIGN AMPS	MSCD	FILAMENT TYPE	AVERAGE LIFE HOURS	REVISIONS			
							REV #	DESCRIPTION	DATE	APPROVED
2057NALL	D.C. INDEX BAY15d	12.8V 14.0V	2.1±5% 0.48±8%	24±30% 1.5±30%	C-6 C-6	2,000 10,000	1	ISSUED	04/09/2001	E.S.
							2	MSCD, ADDITIONAL VIEWS	05/21/2010	D.C.
							3	REVISED AVERAGE LIFE HOURS	08/26/2014	R.M.



Note: Made according to SAE specifications

UNLESS OTHERWISE SPECIFIED: DIMENSIONS ARE IN INCHES TOLERANCES		CEC INDUSTRIES LTD			
DECIMALS	ANGULAR	599 BOND STREET		LINCOLNSHIRE, IL 60069	
.XX ± .05	± 0.5°	TITLE LIGHT BULB NO. 2057NALL			
.XXX ± .010		SIZE A	FSCM NO.	DWG NO. 2057NALL	REV 2
FRACTIONAL	±1/64	DESIGN	SCALE	PLOT SCALE	SHEET 1 OF 1
DRAWN ELIZABETH SONANES		DATE 04/09/2001	MATERIAL		
CHECKED		FILE 2057NALL.pdf	DRAWING NOT TO SCALE		