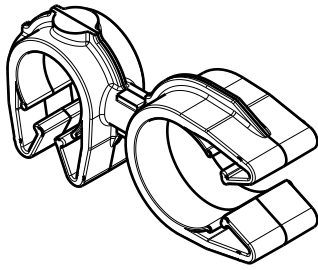
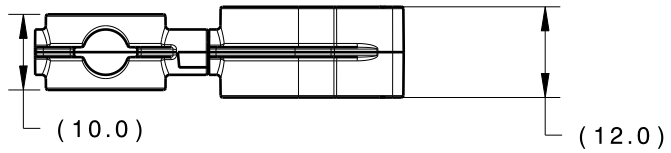
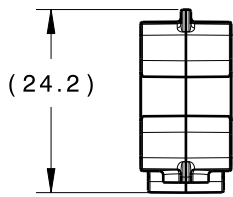
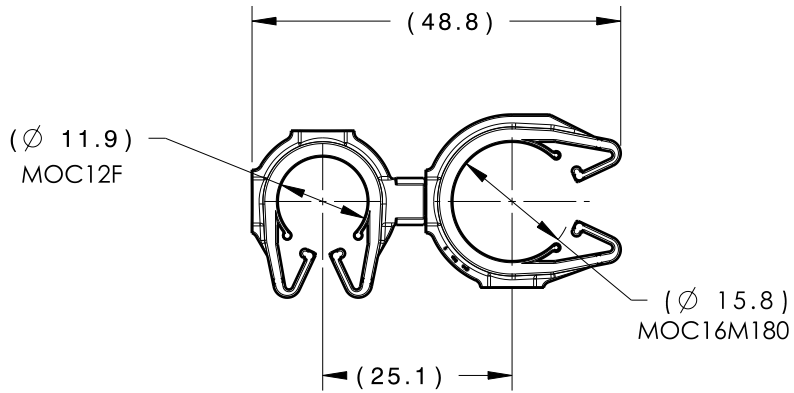


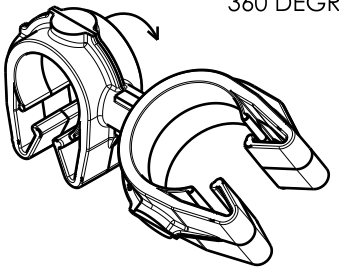
Revision Level			Revision Record	Changed	Date	Approved	Date
Drawing	State	Part					
00.1	Design Release	-	SEE ECN# 014773	TAT	11/30/2018	EJH	11/30/2018



ISOMETRIC VIEW



CLIPS ROTATE 360 DEGREES



ISOMETRIC VIEW ROTATED

TYPE	MOC12F	MOC16M180
HARNESS	11.5MM - 13.0MM	14.0MM - 17.0MM
HOSE	10.5MM - 13.0MM	14.0MM - 17.0MM
HARD PIPE/TUBE	12.0MM - 13.8MM	15.9MM - 18.3MM

*RECOMMENDED SIZES MAY DIFFER DEPENDING ON THE APPLICATION , PRODUCT REQUIREMENTS AND MATERIALS USED

**PATENT PENDING 29/582,271

GLOBAL PART DESCRIPTION	MOC12F**			MOC16M180**		
	DRAWING	MATERIAL	COLOR	DRAWING	MATERIAL	COLOR
MOC12FMOC16M180-PA66HIRHSUV-BK	16-0319-000-CSU	PA66HIRHSUV	BLACK	16-0321-000-CSU	PA66HIRHSUV	BLACK

Material
SEE CHART
COLOR: SEE CHART

Units millimeters
Tolerance defined on each dimension

The copyright of this drawing is reserved by HellermannTyton. It is issued on condition that it is not reproduced, copied or disclosed to a third party, either wholly or in part, without the consent of HellermannTyton.

Drawn CJR 8/28/18
Approved TAT 8/31/18
HellermannTyton
North America
Email: corp@htamericas.com
Web: www.hellermann.tyton.com

Article/Type-No MOC12FMOC16M180
Title 12MM MOC COUPLED TO A 16MM MOC M180
Drawing-No PRODUCTION : Phase
16-0330-357-CSU

Scale 1:1
Project Number 16-0330
Format AH
Sheet 1/1