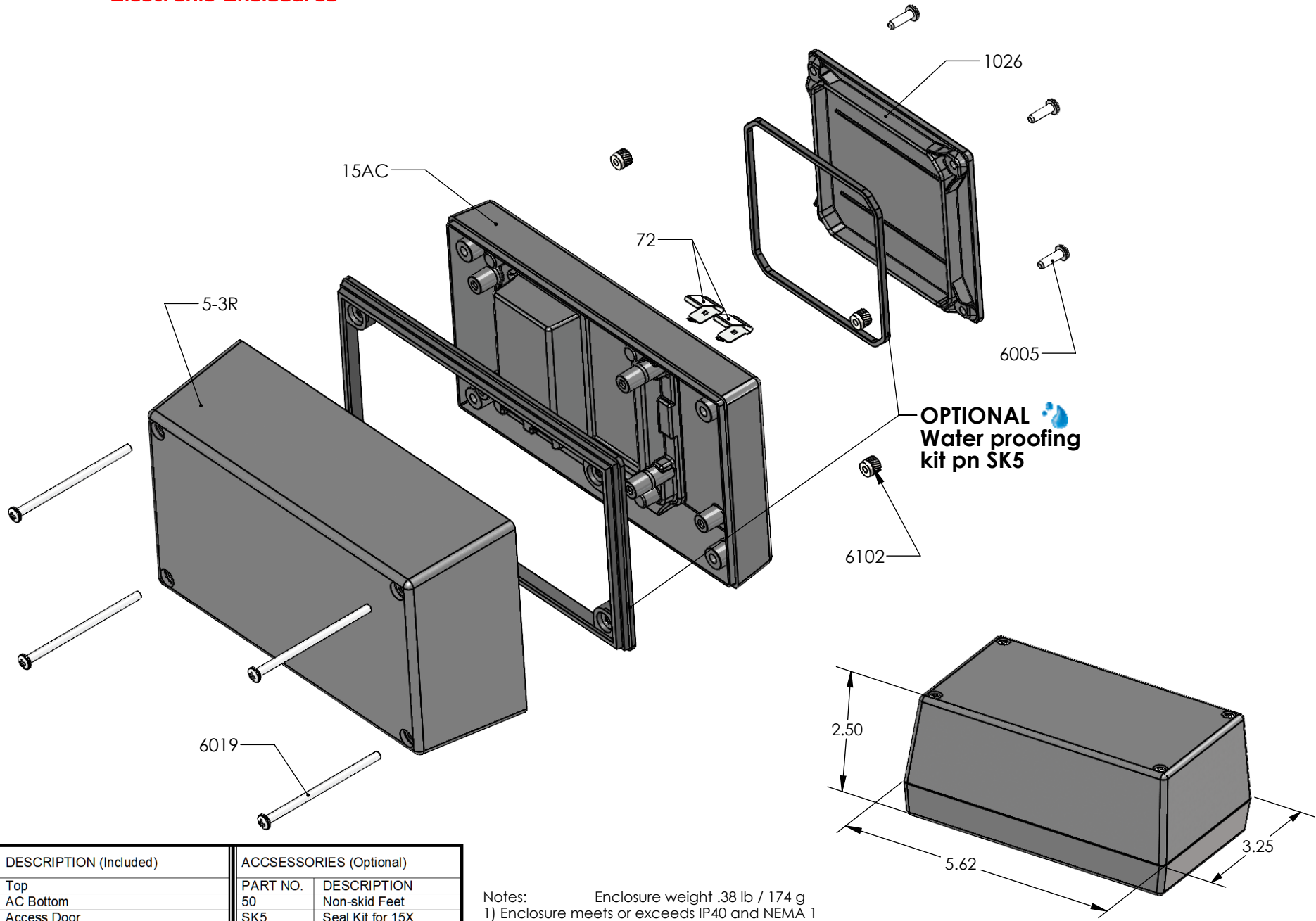


SERPAC 153RAC (exploded isometric)

Electronic Enclosures



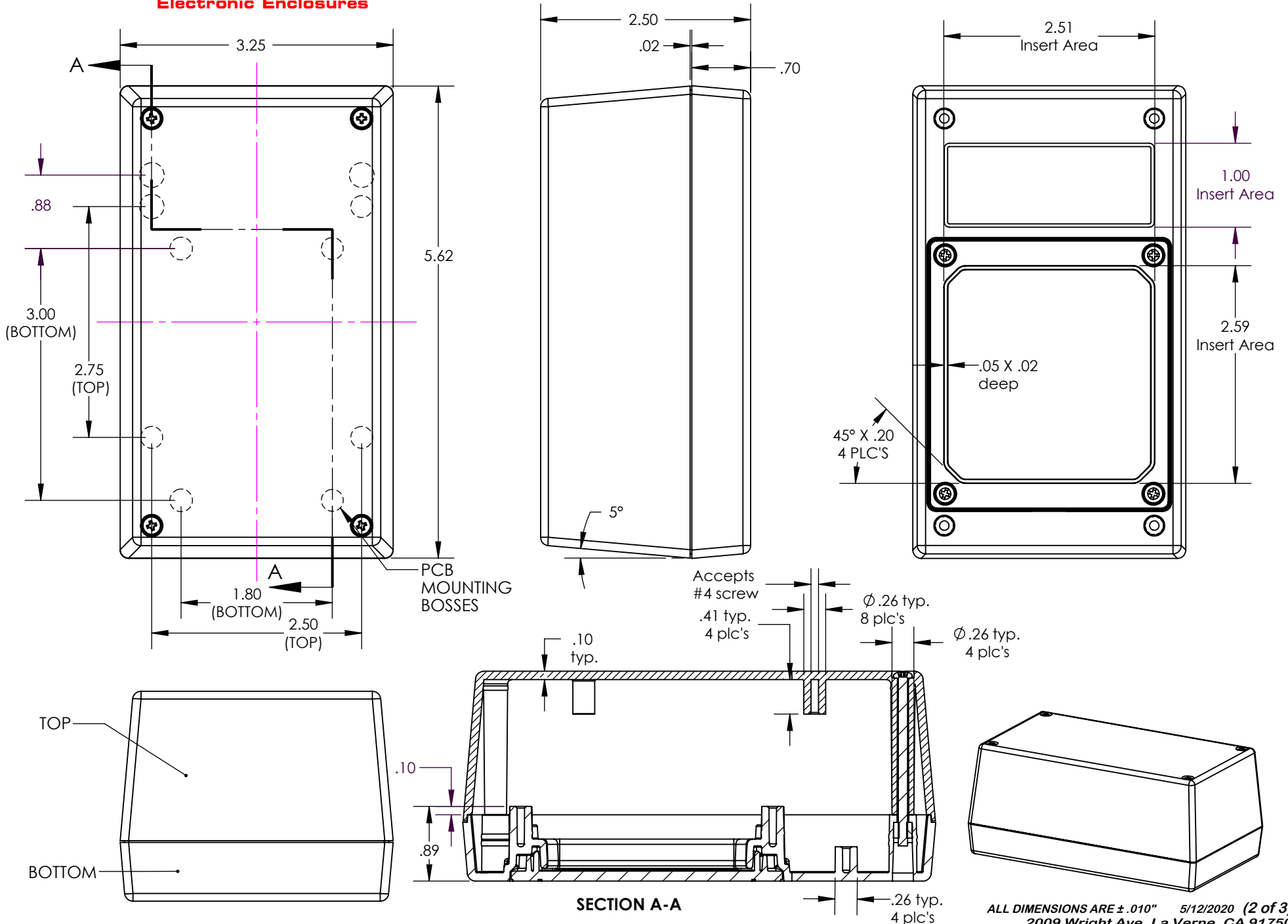
| PART NO. | DESCRIPTION (Included) | PART NO. | DESCRIPTION (Optional) |
|----------|--------------------------------|----------|------------------------|
| 5-3R | Top | 50 | Non-skid Feet |
| 15AC | AC Bottom | SK5 | Seal Kit for 15X |
| 1026 | Access Door | | |
| 6005 | #4X3/8" Self-Tapping Screw (4) | | |
| 6019 | 4-40 Screw (4) | | |
| 6102 | 4-40 Threaded Insert (4) | | |
| 73 | Double Battery Contact (3) | | |
| 72 | Single Battery Contact (2) | | |

- Notes:
- 1) Enclosure weight .38 lb / 174 g
 - 2) When used with SK5 the enclosure meets or exceeds IP 67 and NEMA 4X, 12 and 13 MIL-STD-810G 506.5 (.02 lb / 11g)
 - 3) Circuit Board drawings see sheet 3.
 - 4) All components are RoHS Compliant.

ALL DIMENSIONS ARE ± .010" 5/12/2021 (1 of 3)
 2009 Wright Ave. La Verne, CA 91750
 Ph. (626) 331-0517 Fx. (626) 331-8584 serpac.com

SERPAC 153RAC

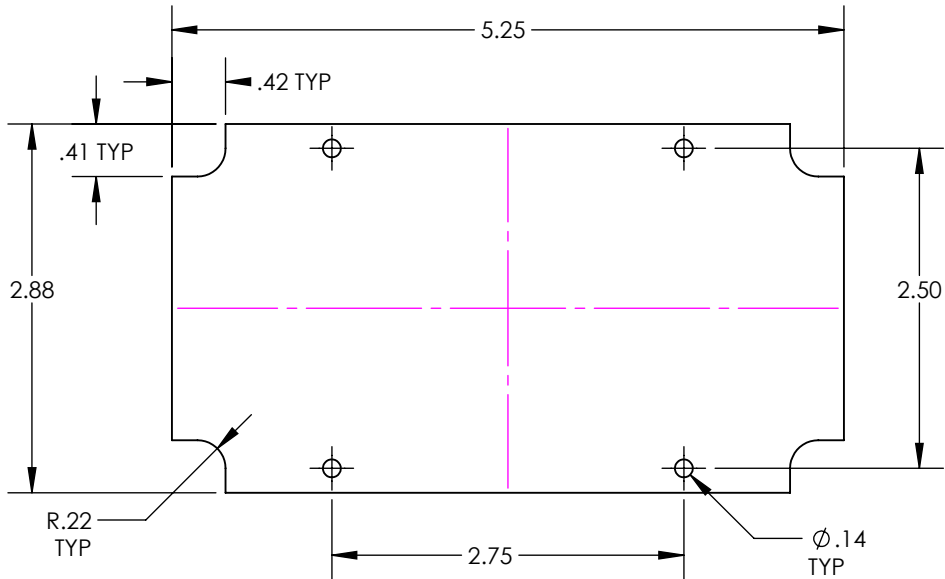
Electronic Enclosures



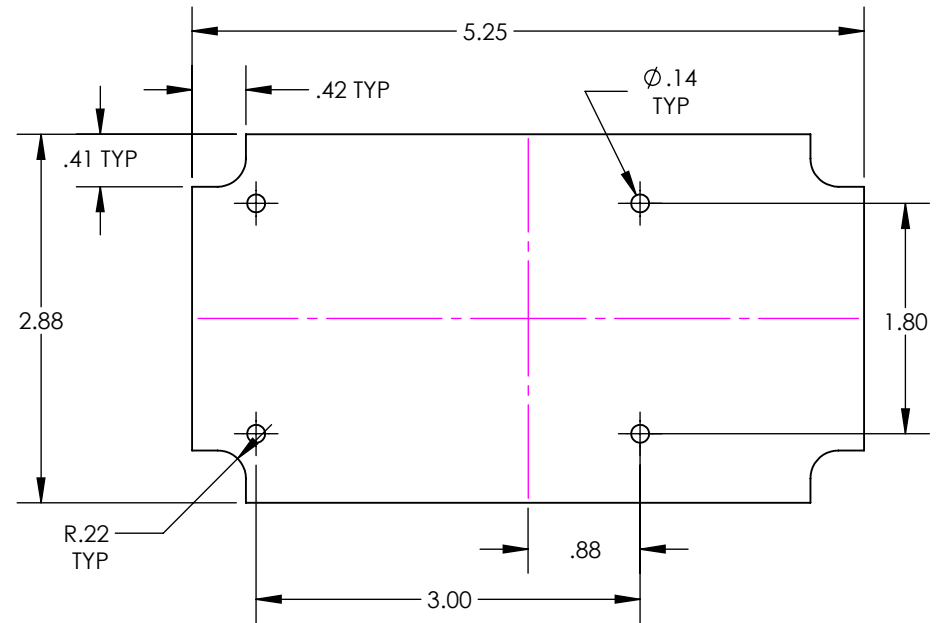
SERPAC PCB for 15X compartment enclosures

Electronic Enclosures

CIRCUIT BOARD FOR TOP



CIRCUIT BOARD FOR BOTTOM



SMALL CIRCUIT BOARD FOR BOTTOM

