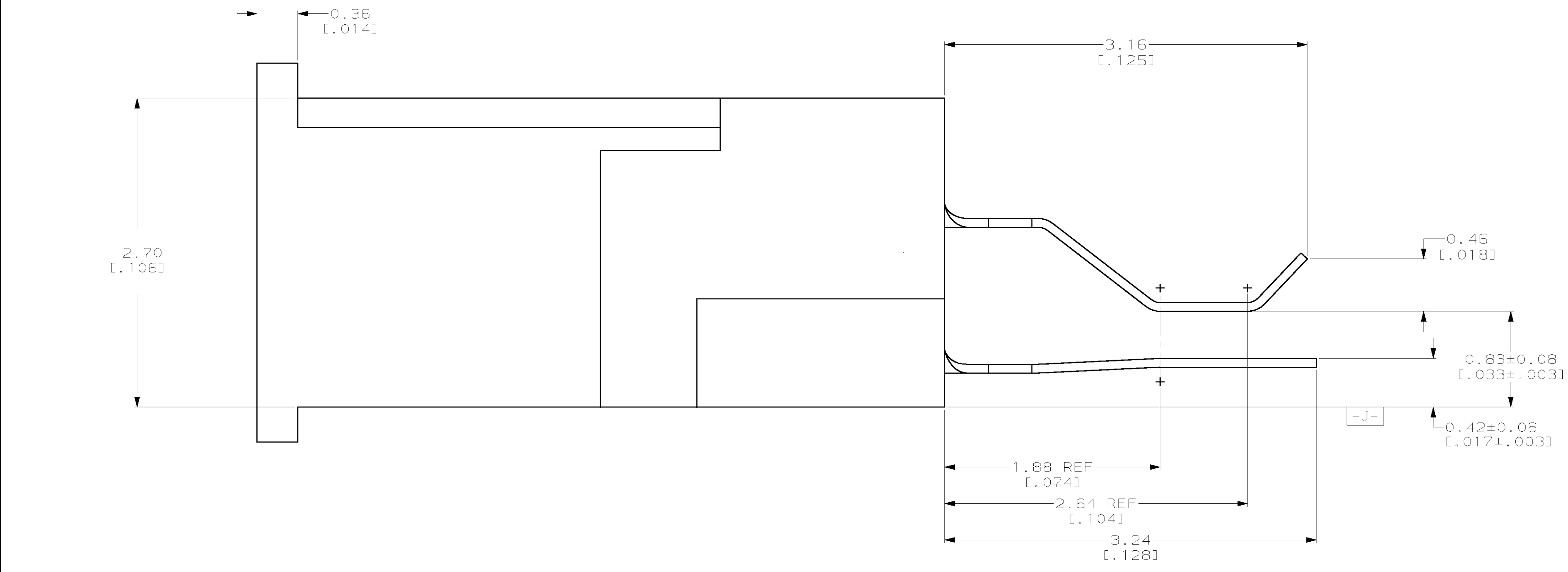
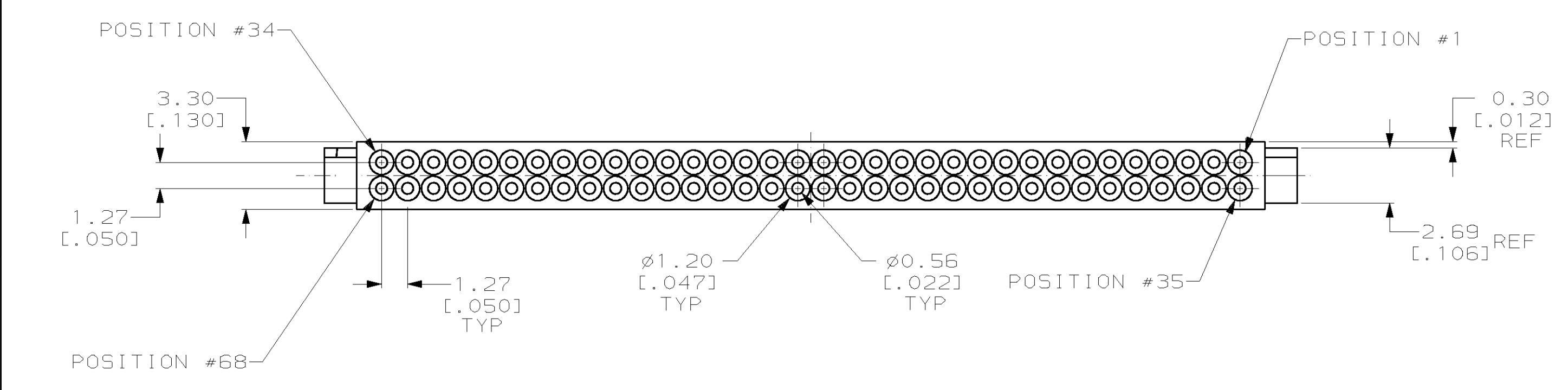
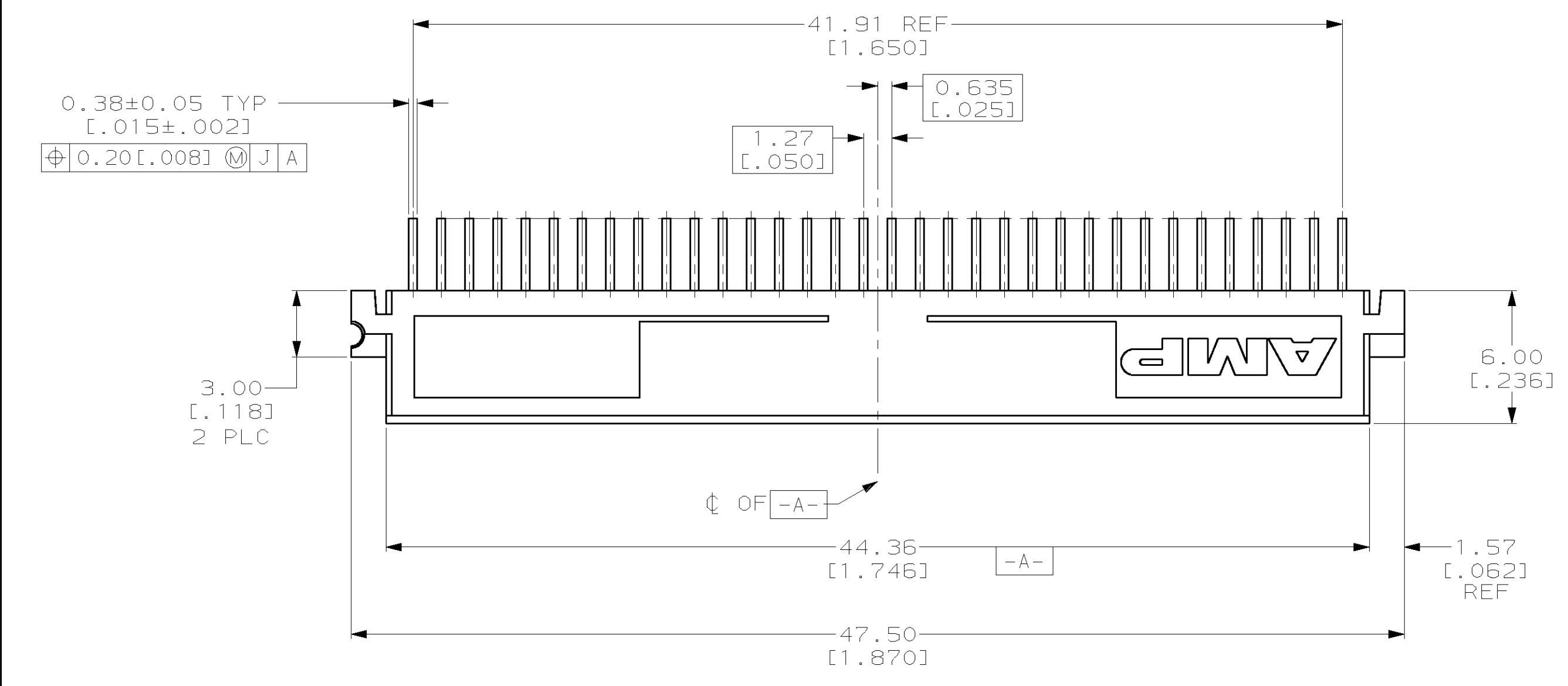


REV. NO.		DATE		BY		CHK		APP'D	
AD	39								

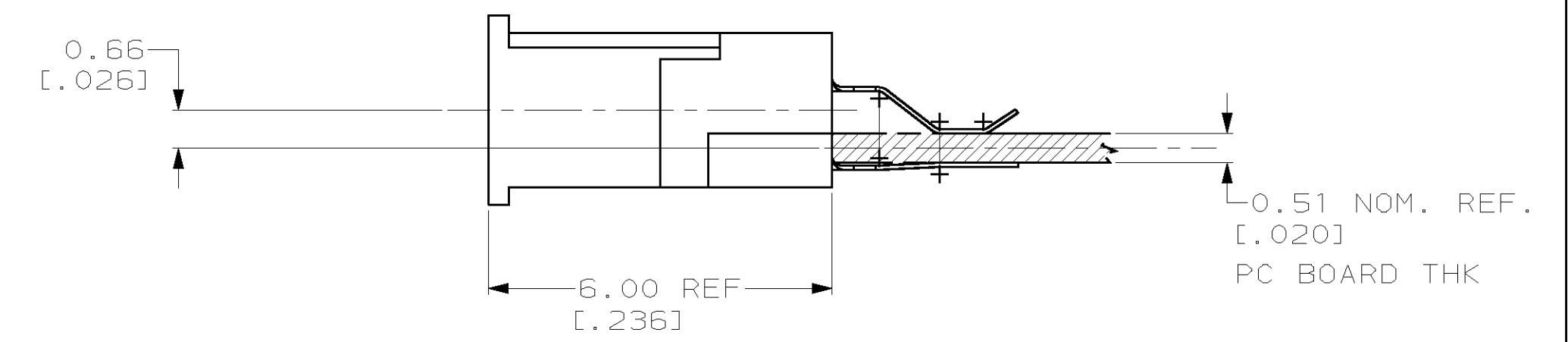
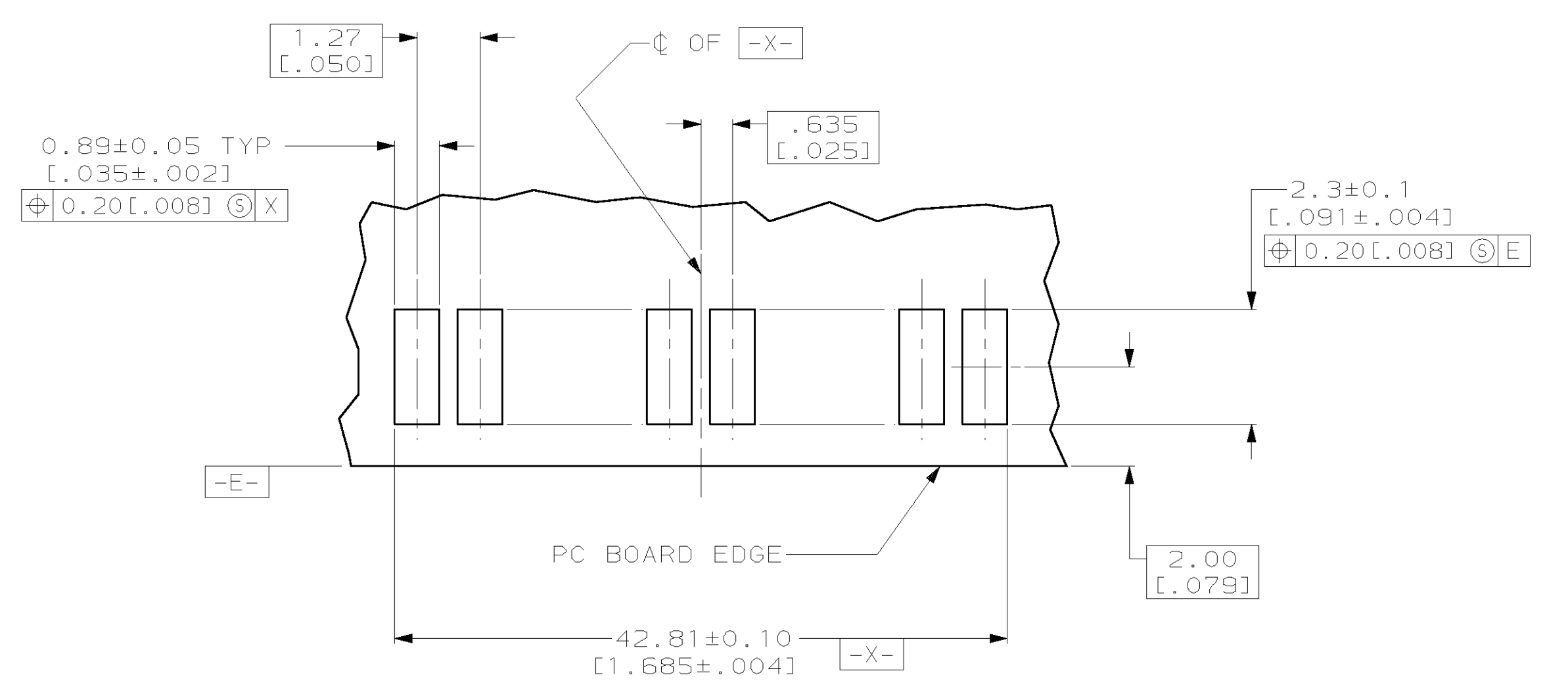
  

REV. NO.		DATE		BY		CHK		APP'D	
D									



VIEW Z-Z  
SCALE 40:1

- 1 HOUSING: LCP, GLASS FILLED, COLOR: BLACK.
- 2 CONTACT: BERYLLIUM COPPER.
- 3 0.00076[.000030] MINIMUM GOLD ON MATING AREA, 0.00254[.000100] MINIMUM TIN-LEAD ON SOLDER TAIL, ALL OVER 0.00127[.000050] MINIMUM NICKEL.
4. POINT OF CONTACT 2.3[.091] REF FROM MATING FACE.
5. PACKAGED PER EIA-481.
- 6 0.000127-0.000200[.000005-.000008] GOLD ON MATING AREA, 0.00254[.000100] MINIMUM TIN-LEAD ON SOLDER TAIL, ALL OVER 0.00127[.000050] MINIMUM NICKEL.



REV. NO.	DATE	BY	CHK	APP'D
68	10/24/94	D. WERTZ	D. DIXON	D. DIXON

DIMENSIONS:		TOLERANCES UNLESS OTHERWISE SPECIFIED:		MATERIAL:		FINISH:	
0 PLC	±.005	0 PLC	±.005	0 PLC	±.005	0 PLC	±.005
1 PLC	±.005	1 PLC	±.005	1 PLC	±.005	1 PLC	±.005
2 PLC	±.005	2 PLC	±.005	2 PLC	±.005	2 PLC	±.005
3 PLC	±.005	3 PLC	±.005	3 PLC	±.005	3 PLC	±.005
4 PLC	±.005	4 PLC	±.005	4 PLC	±.005	4 PLC	±.005
ANGLES	±0°30'	ANGLES	±0°30'	ANGLES	±0°30'	ANGLES	±0°30'

SIZE	CAGE CODE	DRAWING NO.
A1	00779	C=146234

SCALE	SHEET	OF	REV
5:1	1	1	0