

6

5

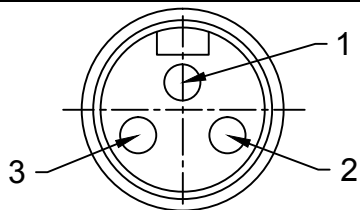
4

3

2

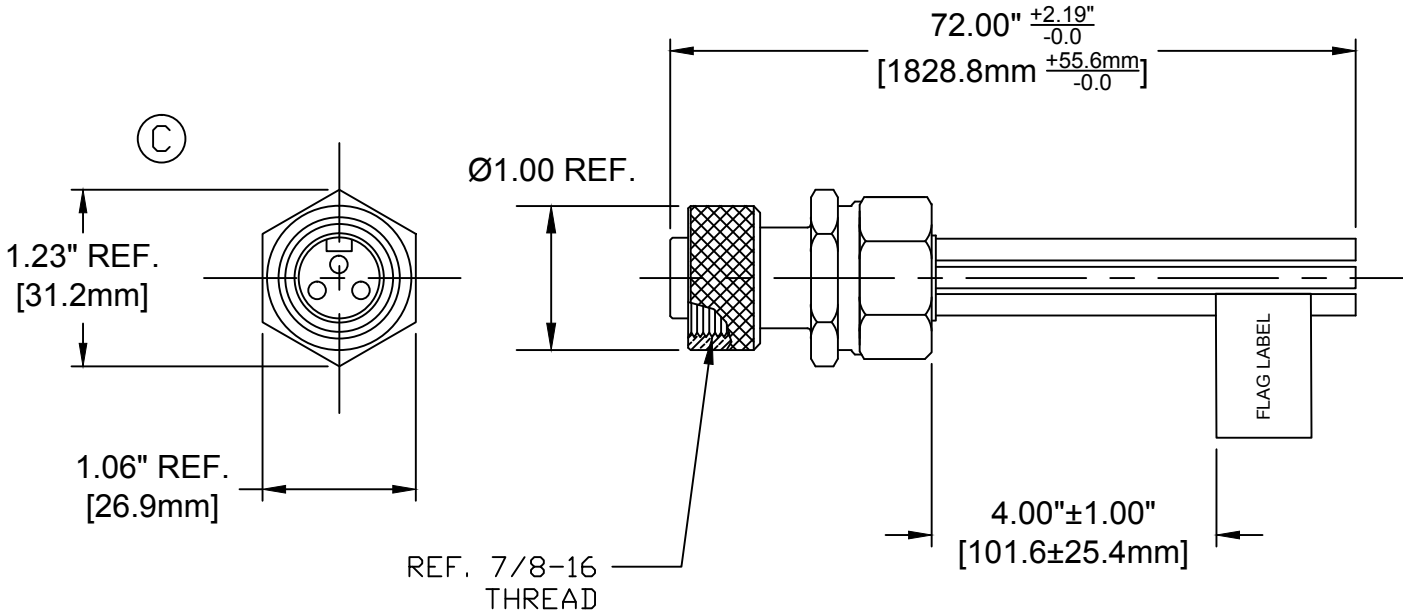
1

FACE VIEW-FEMALE INSERT



1 GREEN
2 BLACK
3 WHITE

MATERIAL P/N #	ENGINEERING P/N
1300062099	40925



SPECIFICATIONS:

MINI-CHANGE RECEPTACLE:

RECEPTACLE SHELL: ZINC PLATED STEEL
CONTACT: GOLD/NICKEL OVER COPPER ALLOY
INSERT: YELLOW PVC
CLAMP NUT: CLEAR ANODIZED ALUMINUM
PLASTIC FERRULE: WHITE NYLON
METAL FERRULE: ZINC PLATED STEEL
LABEL: YELLOW VINYL

WIRE: #16/1 THERMOPLASTIC 1015/TEW WIRE
WIRE MARKING: STYLE 1015, MTW AND CSA
TEW, 26AWG, 600V AND 105°C
ASSEMBLY RATINGS: 600V Max., 13A Max.
PROTECTION CLASS: IP67

1.23 WAS 2.45 EC NO: ICG2015-0288 DRWN: RSTONE 8/13/14 CHKD: BWOODMAN014/08/14 APPR: BWOODMAN 2009/08/28	DESCRIPTION QUALITY SYMBOLS $\nabla=0$ $\nabla/C=0$	GENERAL TOLERANCES (UNLESS SPECIFIED)		DIMENSION STYLE	SCALE	DESIGN UNITS	THIRD ANGLE PROJECTION		
			mm	INCH	IN/MM	NTS	INCH		
		4 PLACES	±---	±---	DRAWN BY DATE	TITLE	MC 3P FP LIQUID TIGHT 16AWG PVC		
		3 PLACES	±---	±.005	T.V. 2009/08/25				
	2 PLACES	±0.13	±.020	CHECKED BY DATE	MOLEX INCORPORATED				
	1 PLACE	±0.25	±.010	B.WOODMA 2009/08/25					
		ANGULAR ±1/2°		APPROVED BY DATE	SD-130062-005				
		DRAFT WHERE APPLICABLE MUST REMAIN WITHIN DIMENSIONS		DTITUS 2009/08/28					
				MATERIAL NO.	DOCUMENT NO.		SHEET NO.		
				SEE CHART	SD-130062-005		1 OF 1		
				SIZE A	THIS DRAWING CONTAINS INFORMATION THAT IS PROPRIETARY TO MOLEX INCORPORATED AND SHOULD NOT BE USED WITHOUT WRITTEN PERMISSION				

6

5

4

3

2

1

E

D

C

B

A

E

D

C

B

A