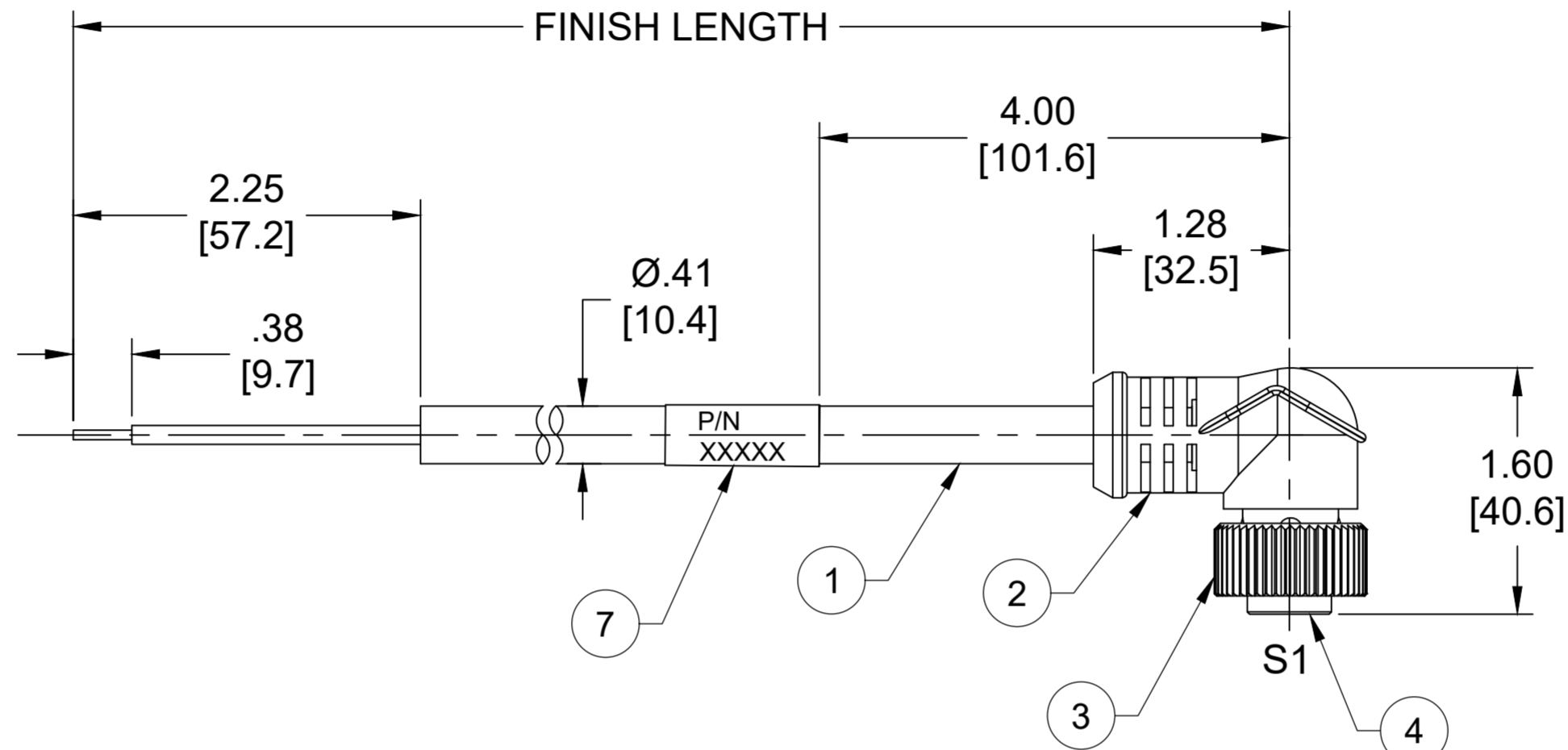
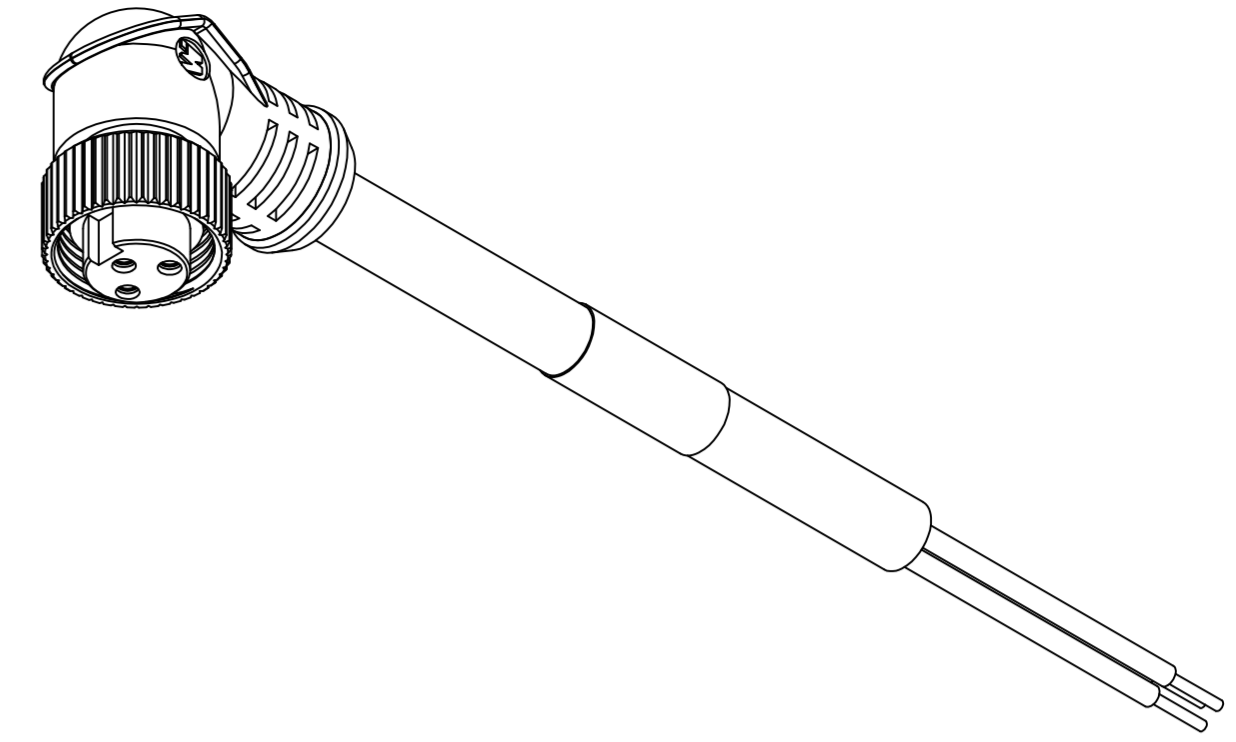


| PART NO.   | ENGINEERING NO. | FINISHED LENGTH |
|------------|-----------------|-----------------|
| 1300060422 | 103001A01F030   | 3FT [0.9M]      |
| 1300060433 | 103001A01F150   | 15FT [4.6M]     |
| 1300060442 | 103001A01F300   | 30FT [9.1M]     |

### PART NUMBER LEGEND

103001A01F030

CABLE LENGTH  
 F050 = 5 FEET  
 F100 = 10 FEET  
 F150 = 15 FEET



NOTES:

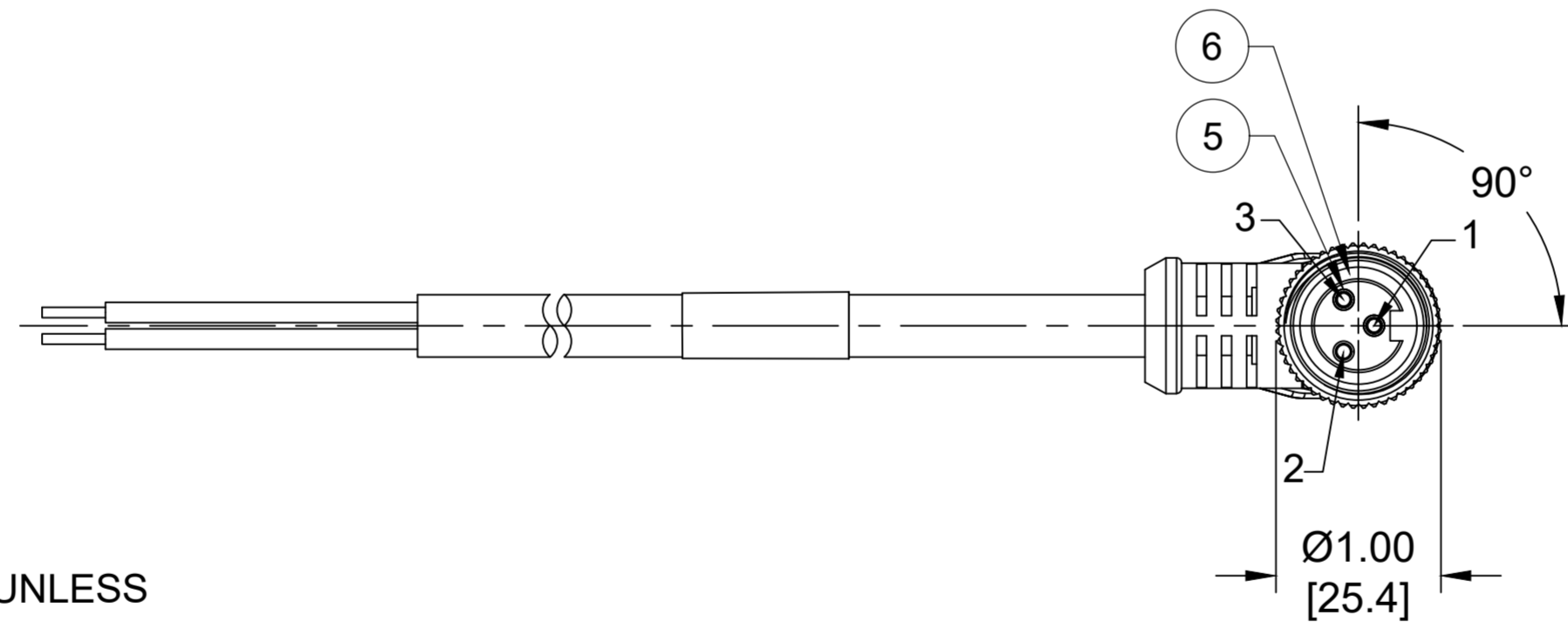
1. MATERIAL: AS NOTED
2. FINISH: AS NOTED
3. ELECTRICAL:  
 VOLTAGE : 500V PER IEC 60664  
 600V PER UL 2238  
 CURRENT: 13A
4. TEMP RATING: -20° TO +105°C
5. PROTECTION: IP67 (WHEN MATED)
6. COUPLING THREAD: 7/8"-16UN
7. UL RECOGNIZED FILE: E152210  
 CSA CERTIFIED FILE: LR6837
8. ALL DIMENSIONS ARE FOR REFERENCE UNLESS TOLERANCED OR NOTED OTHERWISE

| S1               |   |
|------------------|---|
| GREEN/YELLOW-GND | 1 |
| BLACK            | 2 |
| WHITE            | 3 |

WIRING DIAGRAM

CABLE LENGTH TOLERANCES

|                          |                         |
|--------------------------|-------------------------|
| <.3M [1FT]:              | +19mm-0 [+.75in-0]      |
| .3 - .9M [1 - 3FT]:      | +44.5mm-0 [+1.75in-0]   |
| .9 - 1.8M [3 - 6FT]:     | +55.6mm-0 [+2.19in-0]   |
| 1.8 - 3.7M [6 - 12FT]:   | +88.9mm-0 [+3.50in-0]   |
| 3.7 - 7.3M [12 - 24FT]:  | +165.1mm-0 [+6.50in-0]  |
| 7.3-14.6M [24 - 48FT]:   | +317.5mm-0 [+12.50in-0] |
| 14.6 - 30.5M [48-100FT]: | +622.3mm-0 [+24.50in-0] |
| OVER 30M [100FT]         | +2% OF FINISHED LENGTH  |



FEMALE FACE VIEW

| ITEM | COMPONENT              | MATERIAL      | FINISH           |
|------|------------------------|---------------|------------------|
| 7    | WRAP LABEL             | VINYL         | BLACK/YELLOW     |
| 6    | FRICION RING           | NYLON         | WHITE            |
| 5    | CONTACT SOCKET         | COPPER ALLOY  | GOLD OVER NICKEL |
| 4    | INSERT                 | TPE           | YELLOW           |
| 3    | COUPLING NUT           | ZINC DIE CAST | BLACK-E-COAT     |
| 2    | OVERMOLD               | TPE           | YELLOW           |
| 1    | CABLE, 16 AWG STOOV/ST | PVC           | YELLOW           |

THIS DRAWING CONTAINS INFORMATION THAT IS PROPRIETARY TO MOLEX ELECTRONIC TECHNOLOGIES, LLC AND SHOULD NOT BE USED WITHOUT WRITTEN PERMISSION

|                    |  |       |  |                            |
|--------------------|--|-------|--|----------------------------|
| FUNCTIONAL SYMBOLS | DIMENSION UNITS                                      | SCALE | CURRENT REV DESC: ITEM# 2 & 4 WERE PVC. ITEM #7 WAS PLASTIC FILM. ADDED FRICTION RING, IEC VOLTAGE, PN LEGEND & TOL CHART. MODIFIED PN CHART |                            |
| $F_A=0$            | INCH/MM  | NTS   | EC NO: 702709  |                            |
| $F_C=0$            | GENERAL TOLERANCES (UNLESS SPECIFIED)                |       | DRWN: ABENJAMINLW  | 2021/05/18                 |
| $F_P=0$            | mm INCH  |       | CHK'D: RSTONE  | 2022/04/11                 |
| DIVISIONAL SYMBOLS | 4 PLACES ±----                                       | ±---- | APPR: BWOODMAN   | 2022/04/16                 |
|                    | 3 PLACES ±----                                       | ±---- | INITIAL REVISION:  |                            |
|                    | 2 PLACES ±----                                       | ±---- | DRWN: TWOLDEGE   | 2009/07/29                 |
|                    | 1 PLACE ±----  | ±---- | APPR: JFMURPHY   | 2009/08/10                 |
|                    | 0 PLACES ±----                                       | ±---- | THIRD ANGLE PROJECTION   |                            |
|                    | ANGULAR TOL ± ---- °                                 |       | DRAWING  | SERIES                     |
|                    | DRAFT WHERE APPLICABLE MUST REMAIN WITHIN DIMENSIONS |       | C-SIZE   | 130006                     |
|                    |  |       | MATERIAL NUMBER  | CUSTOMER                   |
|                    |  |       | SEE CHART  | GENERAL MARKET             |
|                    |  |       | DOCUMENT NUMBER  | DOC TYPE/DOC PART/REVISION |
|                    |  |       | SD-130006-015  | PSD 001 C                  |
|                    |  |       | SHEET NUMBER   | 1 OF 1                     |