

Material Number	Description	Length [M]
1203550002	D/E Cordset straight	0.25
1203550014	D/E Cordset straight	0.50
1203550015	D/E Cordset straight	1.00
1203550016	D/E Cordset straight	1.50
1203550017	D/E Cordset straight	2.00
1203550018	D/E Cordset straight	5.00
1203550019	D/E Cordset straight	8.00
1203550020	D/E Cordset straight	10.00
1203550021	D/E Cordset straight	15.00

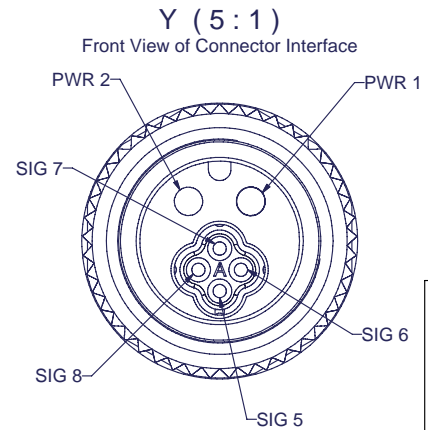
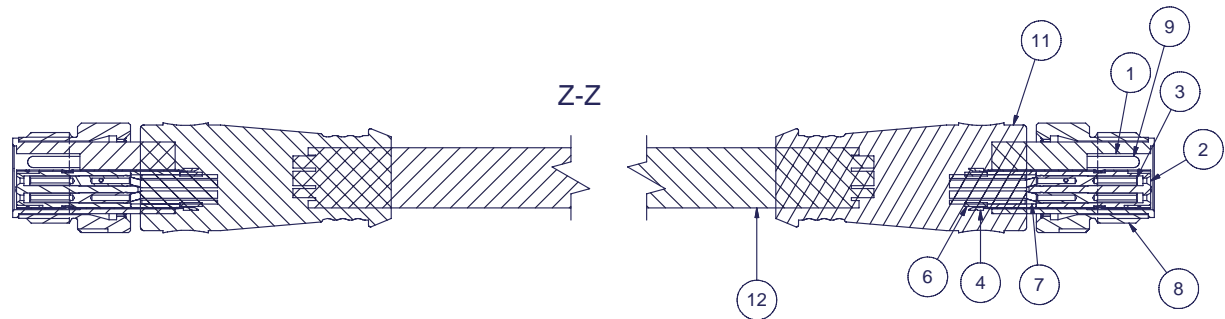
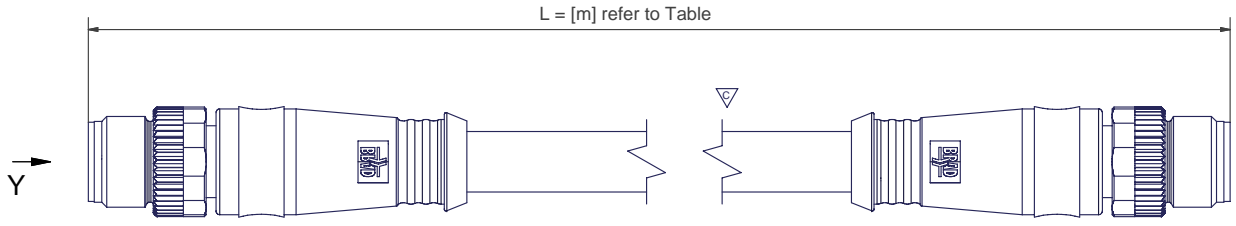
Description:  
M12 Hybrid Cordset  
Transmission after CAT5 (Signal contacts only)  
Special Keyway 4+2  
Cordset to be free of paint wetting impairment substances

Electrical Data:  
Signal: 4 Poles  
Max Voltage 30V  
Max. Current: 12A at 55°C  
Contact Resistance: 5 mOhm  
Insulation Resistance: 100 MOhm  
Impedance: 100 Ohm  
HF capability: CAT5

Power: 2 Poles  
Max. Voltage 30V  
Max. Current 12A  
Contact Resistance: 5 mOhm  
Insulation Resistance: 100 MOhm

Environmental:  
Protection: IP67  
Temperature Range: -25°C to 75°C

Packaging:  
Refer to PK-120355-002



EC NO. MEL2010-0247 DRAWN: FP 7/29/2009 CHKD: RS 1/11/2009 APPR: NS 12/14/2009 REV: 01	QUALITY SYMBOLS	GENERAL TOLERANCES (UNLESS SPECIFIED)	DIMENSION STYLE	SCALE	DESIGN UNITS	FIRST ANGLE PROJECTION
	≠1x	mm INCH	MM ONLY	2:1	METRIC	
	▽=1x	4 PLACES ±0.10	FP	DRAWN BY	DATE	M12-4+2 CHT Cordset Patch Cord Male-Male
		3 PLACES ±0.05	RS	CHECKED BY	DATE	
	2 PLACES ±0.05	NS	APPROVED BY	DATE	<b>MOLEX INCORPORATED</b>	
	1 PLACE ±0.10		MATERIAL NO.	DOCUMENT NO.		SHEET NO.
	ANGULAR ± 1/2 °		120355-xxxx	SD-120355-002	1 OF 1	
	DRAFT WHERE APPLICABLE MUST REMAIN WITHIN DIMENSIONS		SIZE A2	THIS DRAWING CONTAINS INFORMATION THAT IS PROPRIETARY TO MOLEX INCORPORATED AND SHOULD NOT BE USED WITHOUT WRITTEN PERMISSION		