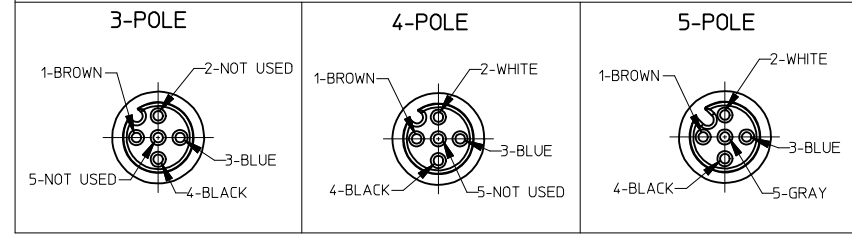


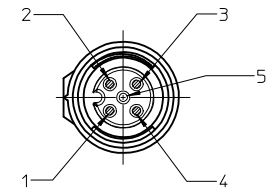
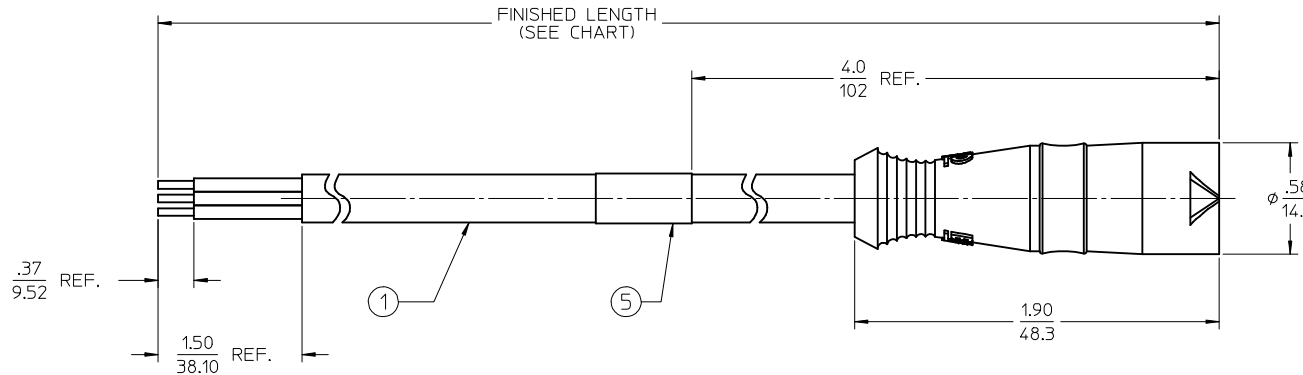
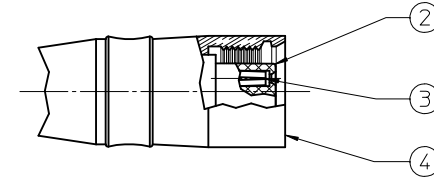
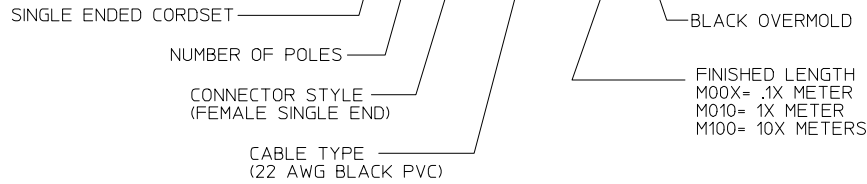
POLES	MATERIAL NO.	ENGINEERING NO.	FINISHED LENGTH
3	1200650048	N03000A41M020G	6'7" +3.50"-0 (2M +88.9mm-0)
3	1200650049	N03000A41M050G	16'5" +6.50"-0 (5M +165.1mm-0)
3	1200650050	N03000A41M100G	32'10" +12.50"-0 (10M +317.5mm-0)
4	1200650053	N04000A41M020G	6'7" +3.50"-0 (2M +88.9mm-0)
4	1200650054	N04000A41M030G	9'10" +3.50"-0 (3M +88.9mm-0)
4	1200650055	N04000A41M050G	16'5" +6.50"-0 (5M +165.1mm-0)
4	1200650056	N04000A41M100G	32'10" +12.50"-0 (10M +317.5mm-0)

FRONT VIEW - FEMALE INSERT CONFIGURATION CHART



CABLE P/N MATRIX

NOX000A41MXXXG



SEE FRONT VIEW DETAIL FOR SPECIFIC PIN-OUT FOR EACH POLE CONFIGURATION

- NOTES:
1. MATERIAL: SEE TABLE
  2. FINISHES: SEE TABLE
  3. ELECTRICAL SPECIFICATIONS  
VOLTAGE RATING: 250V AC/DC  
CURRENT RATING: 4 AMPS
  4. XX REFERS TO NUMBER OF CIRCUITS

5	1	WRAP LABEL	VINYL	BLACK/YELLOW
4	1	MICRO-PUSH OVERMOLD	PVC	BLACK
3	XX	CONTACT SOCKET	Cu ALLOY	GOLD PLATED
2	1	INSERT	NYLON	BLACK
1	A/R	CABLE, 22 AWG, UN SHLD	PVC JACKET	BLACK
ITEM	QTY.	DESCRIPTION	MATERIAL	FINISH

RELEASED EC NO: JGZ2015-1589 DRAWN BY: RSTONE 2015/03/09 CHKDK: JOZWIK 2015/03/12 APPR: JFMURPHY 2015/03/17	QUALITY SYMBOLS ▽=0 ▽=0	GENERAL TOLERANCES (UNLESS SPECIFIED)		DIMENSION STYLE IN/MM		SCALE 2:1	DESIGN UNITS INCH	THIRD ANGLE PROJECTION	
		4 PLACES ± --- ± --- 3 PLACES ± --- ± --- 2 PLACES ± --- ± .01 1 PLACE ± 0.3 ± --- 0 PLACE ± --- ± ---	mm INCH DRAWN BY: RSTONE DATE: 2015/03/09 CHECKED BY: K JOZWIK DATE: 2015/03/12 APPROVED BY: JFMURPHY DATE: 2015/03/17	TITLE MIC PUSH-ON CABLE ASSY FEMALE STRAIGHT 22 AWG CABLE		MATERIAL NO. SEE P/N CHART		DOCUMENT NO. SD-120065-084	SHEET NO. 1 OF 1
DRAFT WHERE APPLICABLE MUST REMAIN WITHIN DIMENSIONS		THIS DRAWING CONTAINS INFORMATION THAT IS PROPRIETARY TO MOLEX INCORPORATED AND SHOULD NOT BE USED WITHOUT WRITTEN PERMISSION							