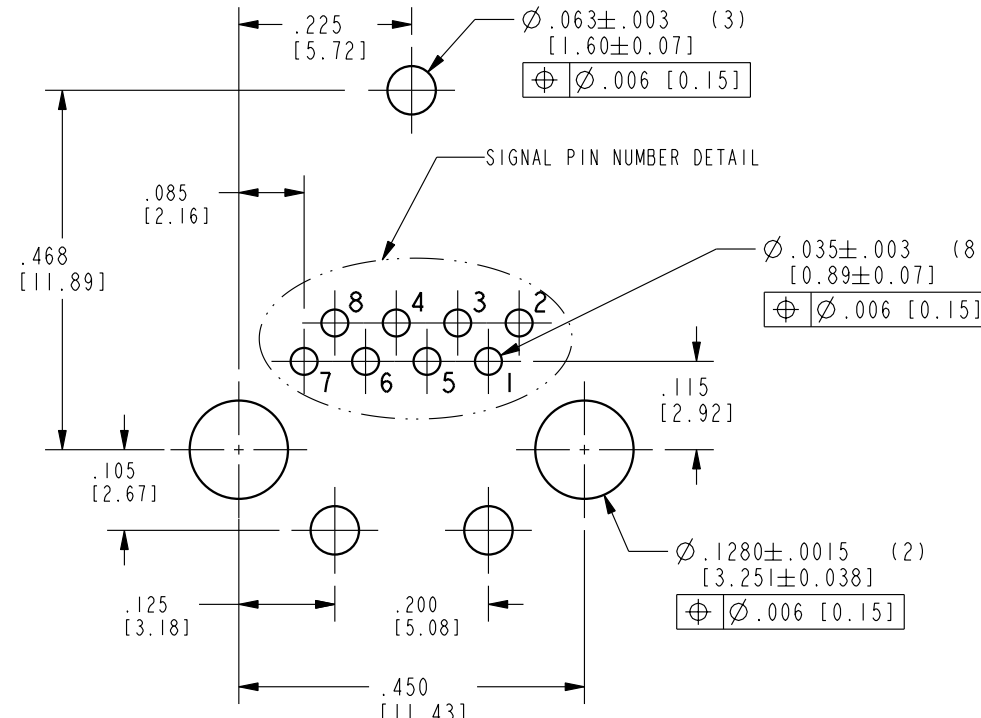
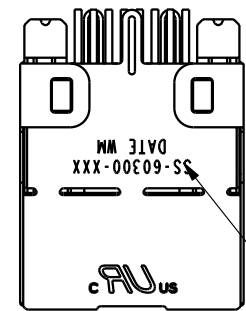
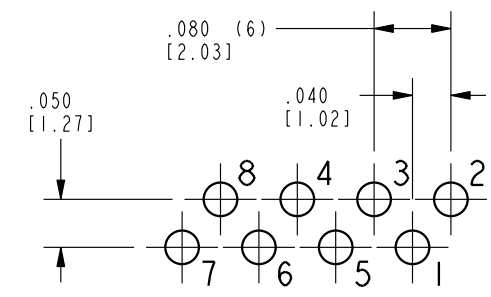
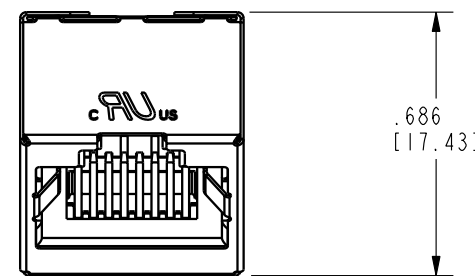


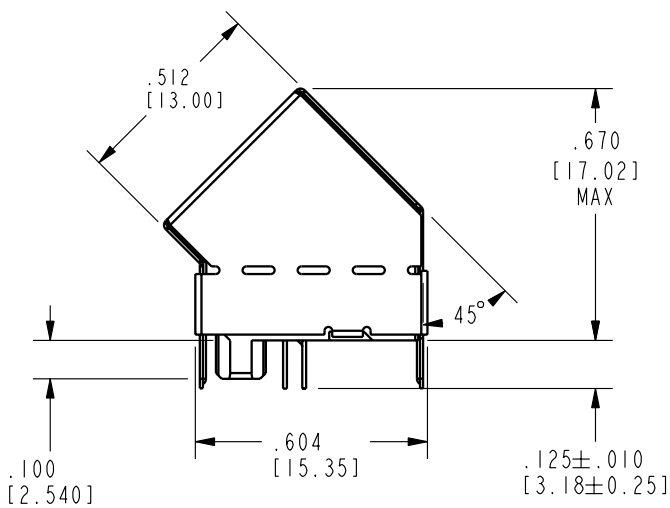
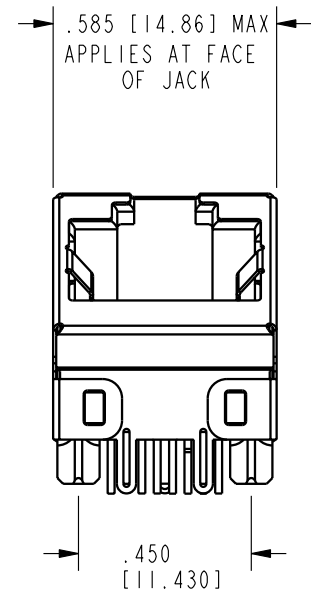
DATE	REV.	ECN	APP'D BY
-	A0	-	



P.C.B. RECOMMENDED LAYOUT
SEEN FROM COMPONENT SIDE
ALL CENTERLINE DIMENSIONS ARE BASIC
SCALE 4.000



SIGNAL PIN NUMBER DETAIL
ALL CENTERLINE
DIMENSIONS ARE BASIC
SCALE 5.000



NOTES:

- CONNECTOR MATERIALS:
HOUSING: THERMOPLASTIC UL94 V-0
CONTACTS/SHIELD: COPPER ALLOY
SHIELD PLATING: NICKEL OR TIN
CONTACT PLATING: SELECTIVE GOLD IN CONTACT AREA
SEE CHART FOR PART NUMBER
- THE ASSEMBLY SHALL WITHSTAND 1000 VDC BETWEEN CONTACTS FOR 60 SECONDS, MINIMUM.
- HIGH TEMPERATURE PLASTIC: WAVE SOLDER COMPATIBLE TO 260°C.
- FOR PRODUCT SPECIFICATION SEE PR033-01.
- LOGO, PART NUMBER AND DATE CODE LOCATED APROX. IN THIS AREA.
- FOR PROPER JACK FUNCTION AND PERFORMANCE, TIA-1096 COMPLIANT PLUGS MUST BE USED.

50 MICRO-INCHES [1.27um]	SS-60300-081
CONTACT PLATING IN MATING AREA	PART NUMBER

THIRD ANGLE PROJECTION
DO NOT SCALE DRAWING
DRAWING IS SUBJECT TO CHANGE WITHOUT NOTICE
DIMENSIONS: INCHES [METRIC]
UNLESS OTHERWISE SPECIFIED TOLERANCES ARE ±.005 [0.13] ANGLES ARE ±1°
SHEET NO. 1 OF 1



11118 Susquehanna Trail South
Glen Rock, PA 17327-9199
(717) 235-7512
<http://www.stewartconnector.com>

10G, 5G, 2.5G 45° ANGLE JACK, NF SHIELD	
DRN BY: TRM	DATE 9-1-17
APPD BY: DHG	DATE 9-1-17
DWG. NO. CT600190	REV. A0

