

# Customer Information Sheet

DRAWING No.: R30-301XX02

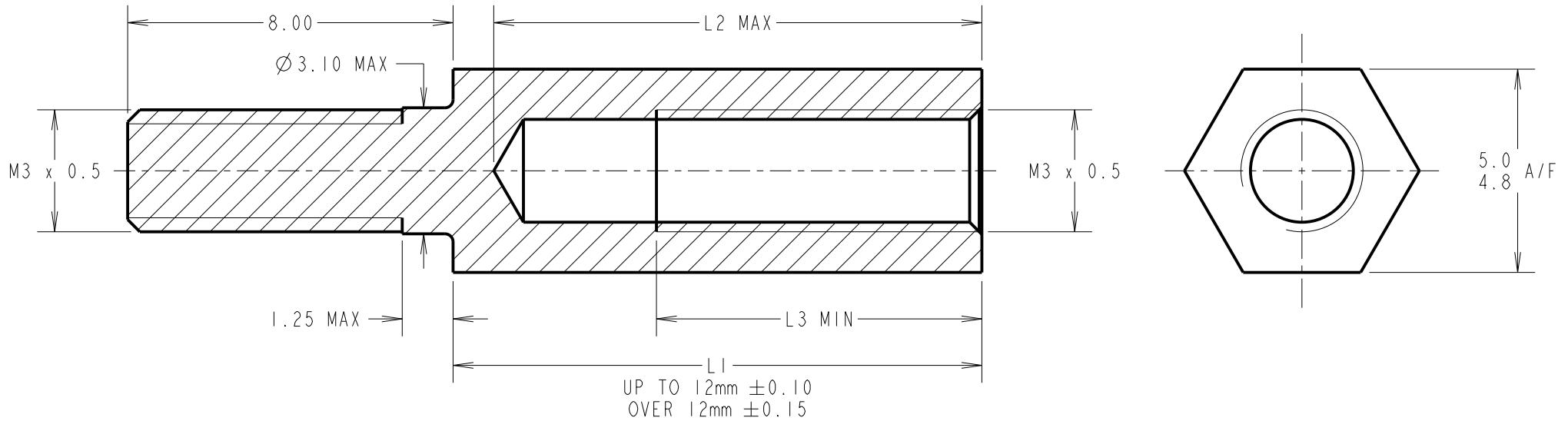
IF IN DOUBT - ASK

©

NOT TO SCALE

THIRD ANGLE PROJECTION

ALL DIMENSIONS IN mm



PART No.	L1	L2	L3
R30-3010402	4.00	4.0	2.50
R30-3010502	5.00	5.0	3.00
R30-3010602	6.00	6.0	4.00
R30-3010702	7.00	7.0	5.00
R30-3010802	8.00	8.0	5.00
R30-3010902	9.00	9.0	5.00
R30-3011002	10.00	10.0	5.00
R30-3011102	11.00	11.0	8.00
R30-3011202	12.00	12.0	8.00
R30-3011302	13.00	12.0	8.00
R30-3011402	14.00	12.0	8.00
R30-3011502	15.00	12.0	8.00

PART No.	L1	L2	L3
R30-3011602	16.00	12.0	8.00
R30-3011802	18.00	12.0	8.00
R30-3012002	20.00	12.0	8.00
<del>R30-3012302</del>	<del>23.00</del>	<del>12.0</del>	<del>8.00</del>
<del>R30-3012502</del>	<del>25.00</del>	<del>12.0</del>	<del>8.00</del>
<del>R30-3012802</del>	<del>28.00</del>	<del>12.0</del>	<del>8.00</del>
<del>R30-3013002</del>	<del>30.00</del>	<del>12.0</del>	<del>8.00</del>
<del>R30-3013302</del>	<del>33.00</del>	<del>12.0</del>	<del>8.00</del>
<del>R30-3013402</del>	<del>34.00</del>	<del>12.0</del>	<del>8.00</del>
<del>R30-3013502</del>	<del>35.00</del>	<del>12.0</del>	<del>8.00</del>
<del>R30-3014002</del>	<del>40.00</del>	<del>12.0</del>	<del>8.00</del>
<del>R30-3015002</del>	<del>50.00</del>	<del>12.0</del>	<del>8.00</del>

**OBSELETE**  
**OBSELETE**  
**OBSELETE**  
**OBSELETE**  
**OBSELETE**  
**OBSELETE**  
**OBSELETE**  
**OBSELETE**  
**OBSELETE**  
**OBSELETE**

ORDER CODE:  
**R30-301XX02**  
LENGTH L1 IN mm \_\_\_\_\_

MGP	14	03.11.22	32023
NAME	ISS.	DATE	CN/CO
APPROVED: MGP			
CHECKED: FC			
DRAWN: WJ BOURNE			
CUSTOMER REF.:			
ASSEMBLY DRG:			

**HARWIN**  
www.harwin.com  
technical@harwin.com

THIS DRAWING AND ANY INFORMATION OR DESCRIPTIVE MATTER SET OUT HEREON ARE CONFIDENTIAL AND COPYRIGHT PROPERTY OF THE HARWIN GROUP AND MUST NOT BE DISCLOSED, LOANED, COPIED OR USED FOR MANUFACTURING, TENDERING OR FOR ANY OTHER PURPOSE WITHOUT THEIR WRITTEN PERMISSION.

TOLERANCES  
X. = ±1mm  
X.X = ±0.50mm  
X.XX = ±0.20mm  
X.XXX = ±0.01mm  
ANGLES = ±5°  
UNLESS STATED

MATERIAL:  
BRASS CW614N M TO BS EN 12164 (CuZn39Pb3)  
FINISH: NICKEL  
S/AREA: mm<sup>2</sup>

TITLE:  
M3 HEXAGONAL MALE/FEMALE SPACER  
DRAWING NUMBER:  
**R30-301XX02**  
SHT 2 OF 2