



## 2.4mm Male Connector Clamp Attachment Vertical Launch PCB, Removable Microstrip Launch

### RF Connectors Technical Data Sheet

PE45457

#### Configuration

- 2.4mm Male Connector
- 50 Ohms
- Straight Body Geometry
- Vertical Launch Interface Type
- Clamp Attachment

#### Features

- Max. Operating Frequency 50 GHz
- Good VSWR of 1.3:1
- Gold Plated Brass Contact
- Reusable vertical launch installation

#### Applications

- General Purpose Test
- PCB Applications
- Signal Integrity Measurement
- Chip Evaluations
- SERDES
- Vertical Launch Test Fixtures

#### Description

Pasternack's PE45457 2.4mm male connector with clamp attachment for vertical launch PCB is part of our full line of RF components available for same-day shipping. Our 2.4mm male connector operates up to a maximum frequency of 50 GHz and offers good VSWR of 1.3:1.

Our 2.4mm male connector PE45457 datasheet specifications and drawing with dimensions are shown below in this PDF. Pasternack's broad catalog of RF, microwave and millimeter wave connectors allows designers to configure and customize their signal connections however they like. Whether the need is to provide an I/O for a board design, or simply create a custom cable assembly configuration, Pasternack has the right connector for the job. Pasternack can also expertly build your custom cable assemblies for you and ship same-day.

#### Electrical Specifications

Description	Minimum	Typical	Maximum	Units
Frequency Range	DC		50	GHz
VSWR			1.3:1	

##### Electrical Specification Notes:

Actual VSWR performance is largely dependent on circuit board design. For optimal results, the connector and circuit launch geometry should be modeled using Electromagnetic Simulation tools.

#### Mechanical Specifications

##### Size

Length	0.5 in [12.7 mm]
Width/Dia.	0.315 in [8.00 mm]
Height	0.39 in [9.91 mm]

Mating Cycles	500 Cycles
---------------	------------

Click the following link (or enter part number in "SEARCH" on website) to obtain additional part information including price, inventory and certifications: [2.4mm Male Connector Clamp Attachment Vertical Launch PCB, Removable Microstrip Launch PE45457](#)



2.4mm Male Connector Clamp Attachment Vertical Launch PCB, Removable Microstrip Launch

RF Connectors  
Technical Data Sheet

PE45457

**Material Specifications**

Description	Material	Plating
Contact	Brass	Gold
Insulation	Ultem1000	
Body	Passivated Stainless Steel	
Coupling Nut	Passivated Stainless Steel	

Mechanical Specification Notes:  
Launch Pin is Gold Plated Beryllium Copper

**Environmental Specifications**

**Compliance Certifications** (see [product page](#) for current document)

**Plotted and Other Data**

Notes:

Click the following link (or enter part number in "SEARCH" on website) to obtain additional part information including price, inventory and certifications: [2.4mm Male Connector Clamp Attachment Vertical Launch PCB, Removable Microstrip Launch PE45457](#)



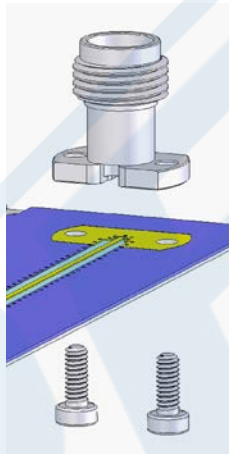
2.4mm Male Connector Clamp Attachment Vertical  
Launch PCB, Removable Microstrip Launch

RF Connectors  
Technical Data Sheet

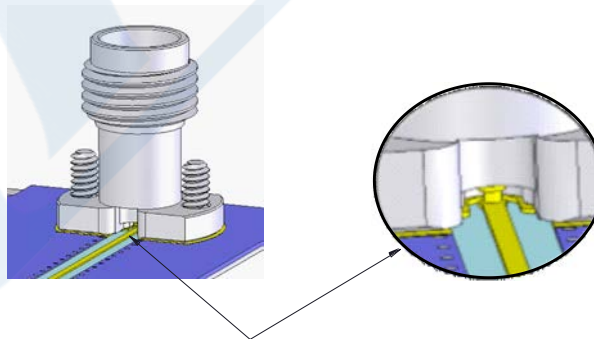
PE45457

**Assembly Instruction**

**STEP 1 :**  
Position vertical launch above substrate.



**STEP 2:**  
Insert screws and tighten connector body against the substrate,  
while ensuring center pin is centered on the trace or landing pad.



Click the following link (or enter part number in "SEARCH" on website) to obtain additional part information including price, inventory and certifications: [2.4mm Male Connector Clamp Attachment Vertical Launch PCB, Removable Microstrip Launch PE45457](#)

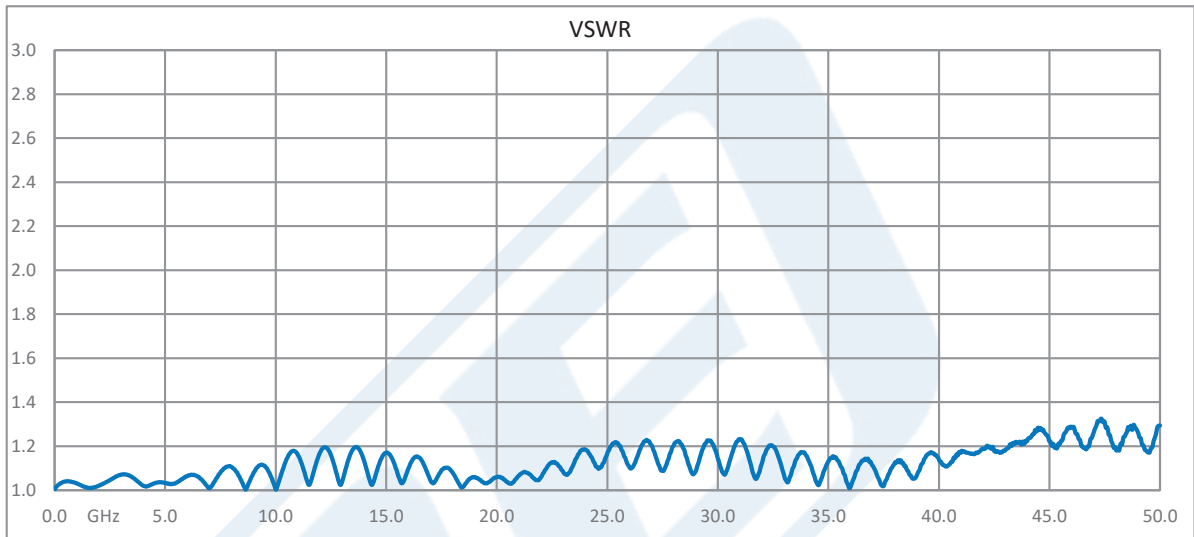


2.4mm Male Connector Clamp Attachment Vertical Launch PCB, Removable Microstrip Launch

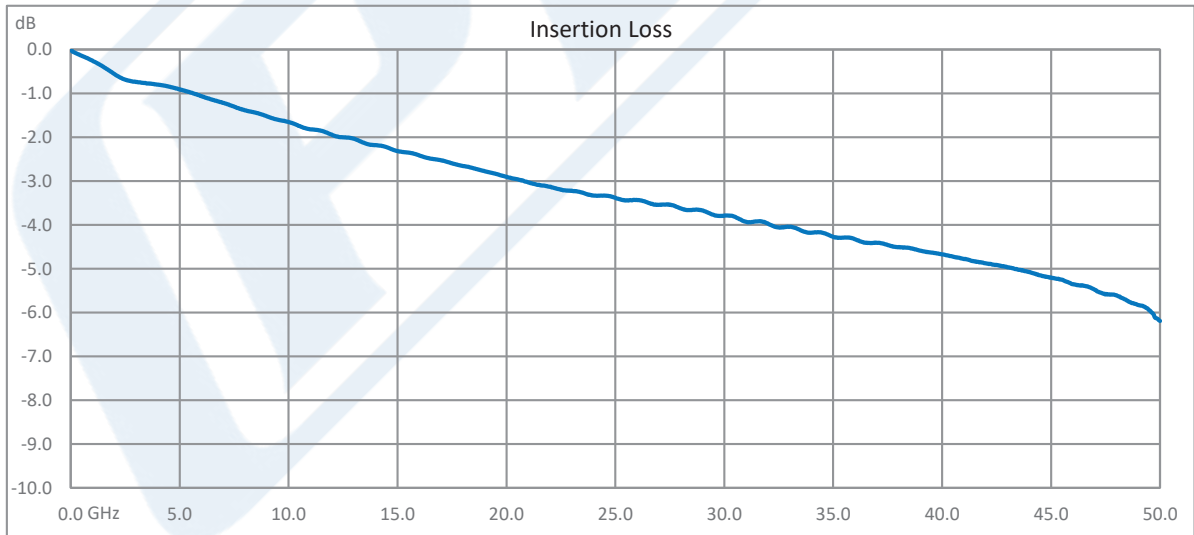
RF Connectors  
Technical Data Sheet

PE45457

Typical Performance Data



Test data taken with 2 connectors on both ends of test fixture



Test data taken with 2 connectors on both ends of test fixture

Click the following link (or enter part number in "SEARCH" on website) to obtain additional part information including price, inventory and certifications: [2.4mm Male Connector Clamp Attachment Vertical Launch PCB, Removable Microstrip Launch PE45457](#)



## 2.4mm Male Connector Clamp Attachment Vertical Launch PCB, Removable Microstrip Launch

### RF Connectors Technical Data Sheet

PE45457

2.4mm Male Connector Clamp Attachment Vertical Launch PCB, Removable Microstrip Launch from Pasternack Enterprises has same day shipment for domestic and International orders. Our RF, microwave and millimeter wave products maintain a 99.4% availability and are part of the broadest selection in the industry.

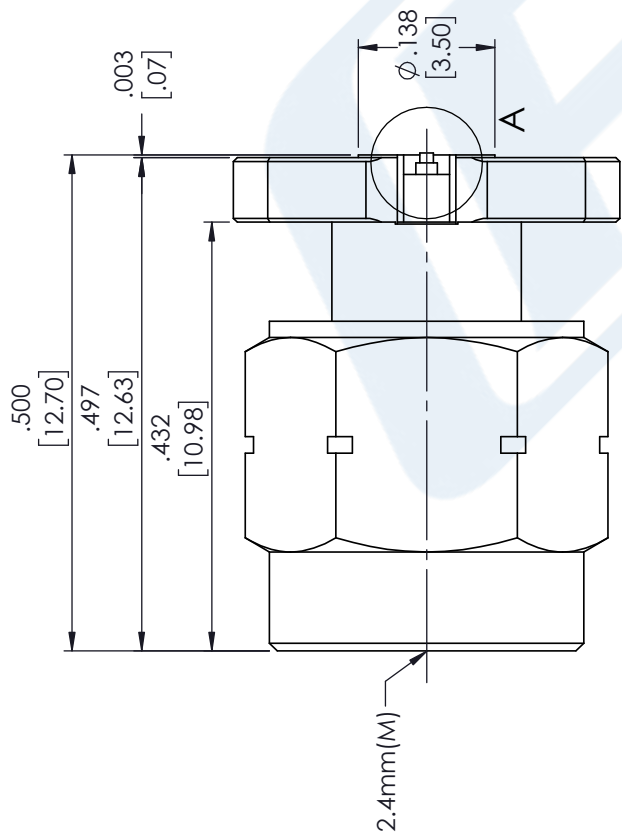
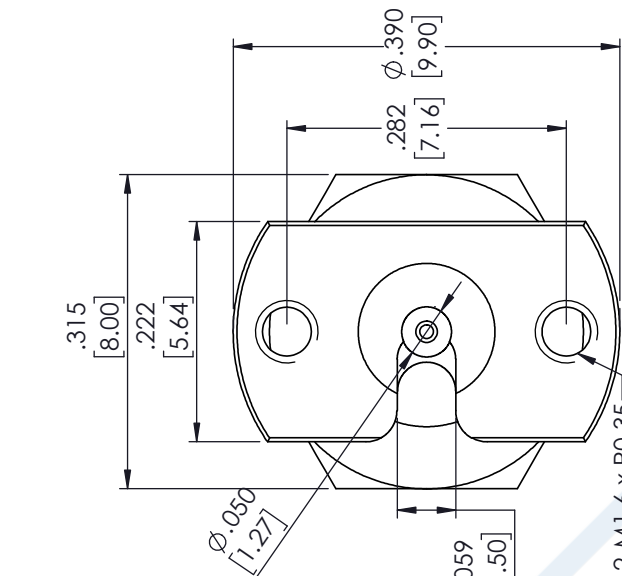
Click the following link (or enter part number in "SEARCH" on website) to obtain additional part information including price, inventory and certifications: [2.4mm Male Connector Clamp Attachment Vertical Launch PCB, Removable Microstrip Launch PE45457](https://www.pasternack.com/2.4mm-male-vertical-launch-pcb-connector-pe45457-p.aspx)

URL: <https://www.pasternack.com/2.4mm-male-vertical-launch-pcb-connector-pe45457-p.aspx>

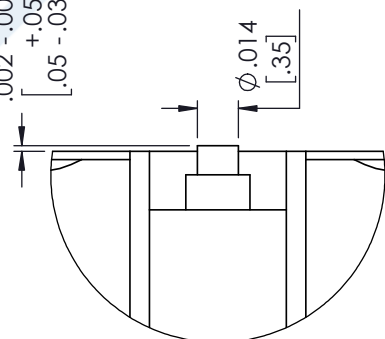
The information contained in this document is accurate to the best of our knowledge and representative of the part described herein. It may be necessary to make modifications to the part and/or the documentation of the part, in order to implement improvements. Pasternack reserves the right to make such changes as required. Unless otherwise stated, all specifications are nominal. Pasternack does not make any representation or warranty regarding the suitability of the part described herein for any particular purpose, and Pasternack does not assume any liability arising out of the use of any part or documentation.

# PE45457 CAD Drawing

2.4mm Male Connector Clamp Attachment Vertical  
Launch PCB, Removable Microstrip Launch



+ .002  
.002 - .001  
+ .05  
[ .05 - .03 ]

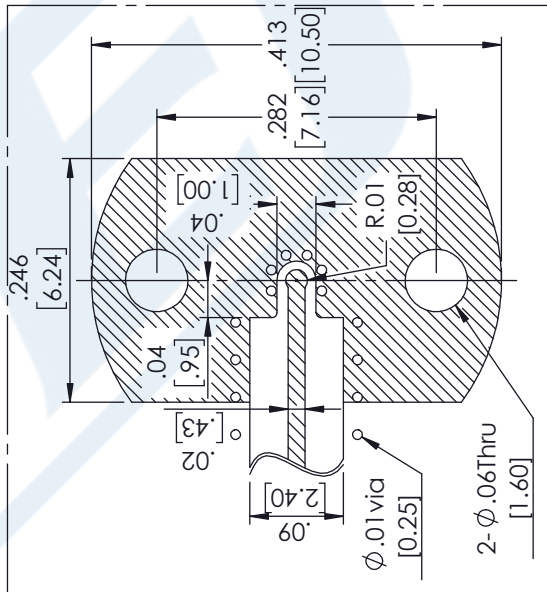


DETAIL A

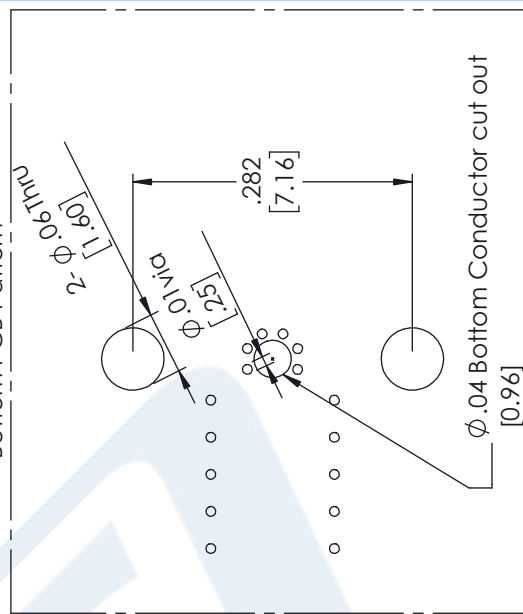
STANDARD TOLERANCES	
.X	±0.2
.XX	±0.01
.XXX	±0.005

\*STANDARD TOLERANCES APPLY ONLY TO DIMENSIONS IN INCHES

Recommended Top PCB Pattern



Recommended Bottom PCB Pattern



DWG TITLE

PE45457

NOTES:  
1. UNLESS OTHERWISE SPECIFIED ALL DIMENSIONS ARE NOMINAL.  
2. ALL SPECIFICATIONS ARE SUBJECT TO CHANGE WITHOUT NOTICE AT ANY TIME.  
3. DIMENSIONS ARE IN INCHES [mm].

**PE PASTERNAK**  
THE ENGINEER'S RF SOURCE  
Pasternack Enterprises, Inc.  
P.O. Box 16759 | Irvine | CA | 92623  
Phone: (949) 261-1920 | Fax: (949) 261-7451  
Website: www.pasternack.com | E-Mail: sales@pasternack.com

CAGE CODE 53919

CAD FILE 06/04/18

SCALE N/A

SIZE A

CN2379