

LNP-C501G-SFP-bt-24 Series

5-Port Industrial Compact Gigabit IEEE 802.3bt PoE++ Unmanaged Ethernet Switch, 4*10/100/1000TX (90W/Port), 1*100/1000 SFP Slot; 9~55VDC Power Input



FEATURES

- ▶ Support 4*10/100/1000Tx IEEE 802.3bt Compliant with 90W/Port and 1*100/1000 SFP Slot
- ▶ Support PD Remote Rest Technology (PRRT)
- ▶ Adjustable SFP Speed with DIP-Switch Setting
- ▶ Store-and-Forward Switching Architecture
- ▶ Dual Power Input 9~55VDC in 6-Pin Terminal Block
- ▶ Provided power booster technologies for low voltage power inputs
- ▶ Support Power Inputs Reverse Polarity Protection
- ▶ IP40 Protection
- ▶ DIN-Rail or Wall Mountable
- ▶ Operating Temperature - STD: -10°C to 65°C, EOT: -40°C to 75°C
- ▶ 5-Year Warranty

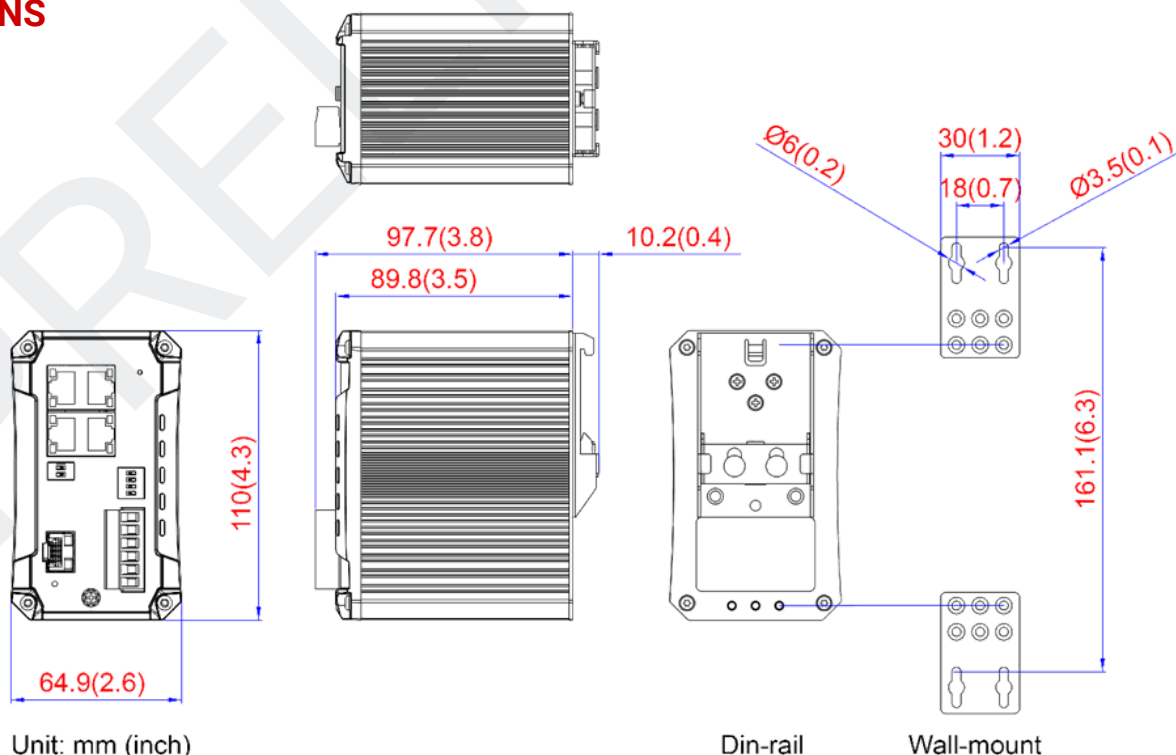


INTRODUCTION

Antaira Technologies' LNP-C501G-SFP-bt-24 Series is a 5-port industrial compact Gigabit PoE++ unmanaged Ethernet switch embedded with 4*10/100/1000Tx Ethernet ports that support IEEE802.3bt for a maximum of 90W/port, and 1*100/1000 dual rate SFP slot for fiber connection.

The LNP-C501G-SFP-bt-24 series is IP40 rated and DIN-rail mountable. There are also two wide-operating temperature models for either a standard temperature range (STD: -10°C to 65°C) or an extended temperature range (EOT: -40°C to 75°C). It also provides high EFT and ESD protection for industrial networking applications, such as power/utility, water wastewater, oil/gas/mining, factory automation, security surveillance, ITS, and any other outdoor or harsh environment.

DIMENSIONS



SPECIFICATIONS

TECHNOLOGY		MECHANICAL CHARACTERISTICS	
Standards	IEEE 802.3 10Base-T Ethernet IEEE 802.3u 100Base-TX Fast Ethernet IEEE 802.3ab 1000Base-T Gigabit Ethernet IEEE 802.3z 1000Base-X Gigabit Fiber IEEE 802.3af/at/bt Power over Ethernet	Housing	Metal, IP40 protection
SWITCH PROPERTIES		Dimension	64.9 x 110 x 89.8 mm (W x H x D)
Switch Architecture	Switching Fabric (Back-Plane): 10Gbps	Weight	Unit: 0.70 lb Shipping: 1.00 lb
Processing Type	Store and Forward	Mounting	DIN-Rail mounting, Wall mounting
Flow Control	IEEE 802.3x flow control, back pressure flow control	POWER REQUIREMENT	
Protocol	CSMA/CD	Input Voltage	9~55VDC Redundant Input (53~55VDC power input for BT PoE PSE)
Transfer Rate	14,880pps for Ethernet 148,800pps for Fast Ethernet 1,488,000pps for Gigabit Ethernet	Power Connection	1 removable 6-contact terminal block
MAC Table Size	8K	Relay Contact	24VDC, 1A resistive
Jumbo Frame	10Kbytes	Overload Current Protection	Present (Slow-Blown Fuse)
Memory Buffer	1Mbit	Reverse Polarity Protection	Present
PORT INTERFACE		System Power Consumption	4.6 Watts
Ethernet Port	4*10/100/1000Base-TX (90W/Port), auto negotiation speed, Full/Half duplex mode, and auto MDI/MDI-X connection	PoE Pin Out	V-, V-, V+, V+ for pin 1, 2, 3, 6 V+, V+, V-, V- for pin 4, 5, 7, 8 *Support Modes: Mode A, Mode B, 4-Pair Mode
SFP Port	1*100/1000 SFP Slot	PoE Power Budget	60W@9V, 90W@12V, 150W@24V, 240W@48~55
LED Indicators	System: Power 1, Power 2, Fault PoE Load: 70%, 90%	ENVIRONMENTAL LIMITS	
DIP Switch	Ethernet ports: Speed/Link/Active PoE: On-connected to PD devices SFP: Speed/Link/Active PoE Switch: Control PoE Function by Port DIP Switch 1: PD Remote Reset Technology (PRRT) Enable/Disable DIP Switch 2: SFP Speed (1000Mbps/100Mbps)	Operating Temperature	STD: -10°C to 65°C EOT: -40°C to 75°C
Network Cable	10BaseT: 2-pair UTP/STP Cat. 3, 4, 5 cable EIA/TIA-568 100-ohm (100m) 100BaseTX: 2-pair UTP/STP Cat. 5 cable EIA/TIA-568 100-ohm (100m) 1000BaseTX: UTP/STP Cat. 5/5E cable; EIA/TIA-568 100-ohm (100m)	Storage Temperature	-40°C ~ 85°C
		Ambient Relative Humidity	5 to 95%, (non-condensing)
REGULATORY APPROVALS			
		EMI	FCC Part 15 Subpart B Class A, CE EN55032/EN61000-6-4 Class A
		EMS	CE EN55035/EN61000-6-2, IEC61000-4-2,3,4,5,6,8
		Certifications	FCC, CE
		Warranty	5 Years

ORDERING INFORMATION

LNP-C501G-SFP-bt-24	5-Port Compact Industrial Gigabit IEEE 802.3bt PoE++ Unmanaged Ethernet Switch, 4*10/100/1000TX (90W/Port), 1*100/1000 SFP Slot; 9~55VDC Power Input
LNP-C501G-SFP-bt-24-T	5-Port Compact Industrial Gigabit IEEE 802.3bt PoE++ Unmanaged Ethernet Switch, 4*10/100/1000TX (90W/Port), 1*100/1000 SFP Slot; 9~55VDC Power Input; EOT: -40°C to 75°C