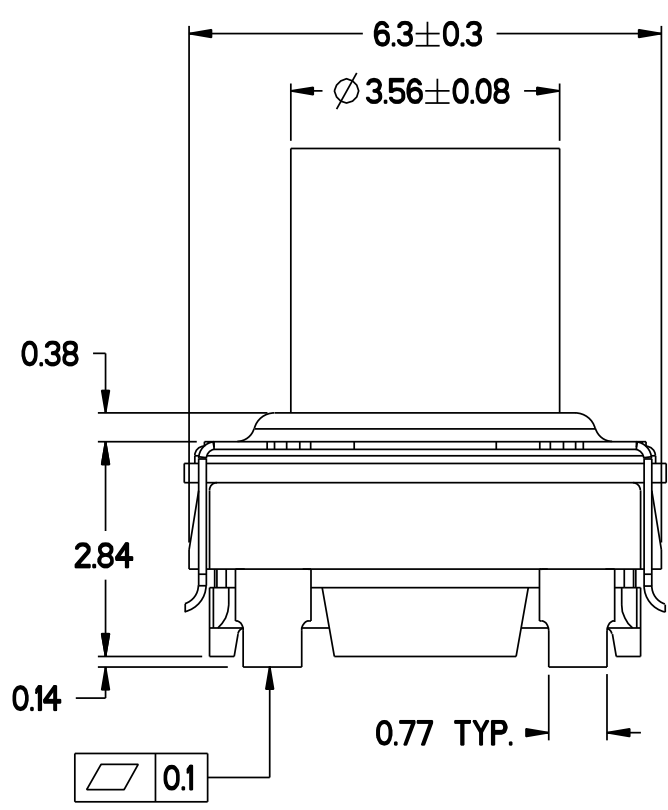
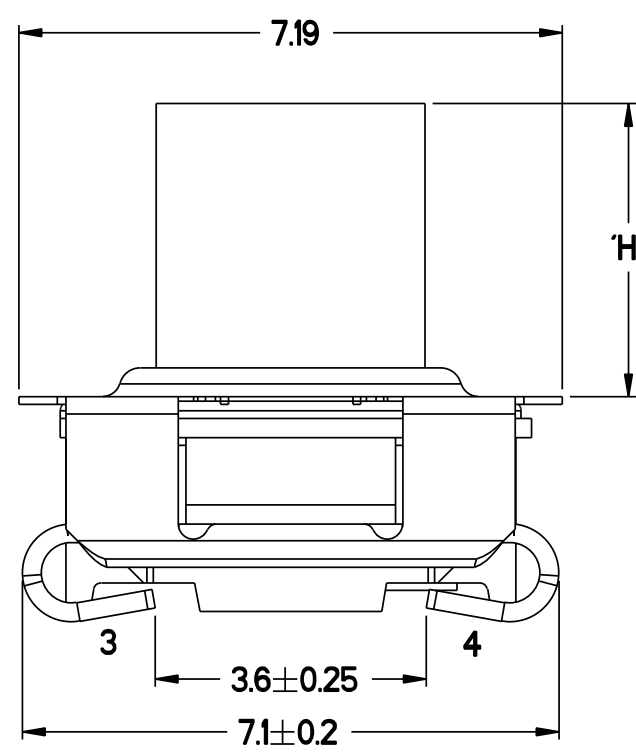
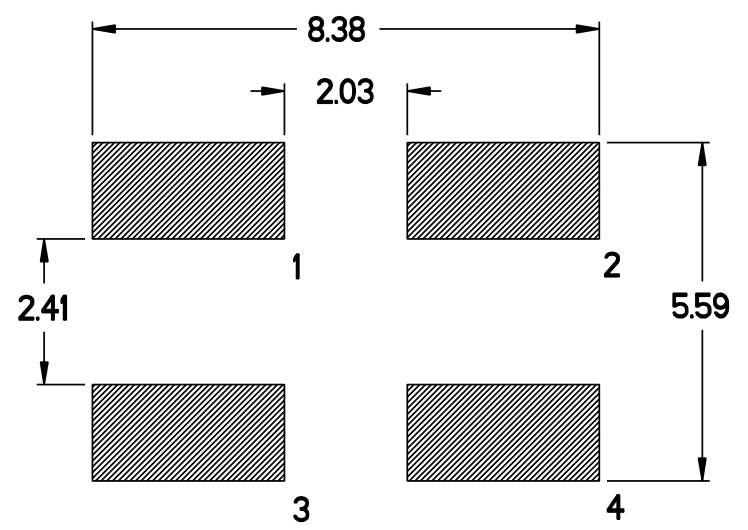


SCHMATIC

SUGGESTED PAD LAYOUT

SCALE: 8:1



Reference	Designation	Plating	Dimension 'H'	Switching Force (N)
YT1043530FP LFS	KT1P2JM34LFS	SILVER	2.36	1.725 TO 2.875
YT1042530FP LFS	63-60345-53LFS	SILVER	2.36	1.35 TO 2.35
YT1063530FP LFS	KT1P4JM34LFS	SILVER	3.96	1.725 TO 2.875

LF version	Contact area (1 face)	Terminal area (2 faces)
LFS	0.5 um min Ag plate over 1.3 um min Nickel plate	0.2-0.6 um Ag plate all over 1.3 um Ni plate all over

TOLERANCE:
 LINEAR: ± 0.12
 ANGLUAR: ± 3°

FOR REFERENCE ONLY
 仅供参考
 THIS PRINT WILL NOT BY UPDATED
 不作自动更新

DO NOT SCALE				PDM:		A3/B
Drawn	CDY	05-Apr-06	Material:	ITT Industries Cannon Electronics (SZ) Co. Ltd.	Pro/E Generic Model	
Checked	KT	05-Apr-06	Treatment:		Title	
Engineer.	CDY	05-Apr-06		Ref:	KT1P2/4JMLFx	
Manufact.		.		Scale 10:1	Sheet 1 of 1	
Assembly		.		Drwg. No.	CU_T1.M03_002_FP	
Quality		.		iss/rev	-	
Approvals	Sign	Date	Dimensions in: mm	This is issued in strict confidence on condition that it is not used as a basis for manufacture or sale and that it is not copied reprinted or disclosed to a third party either wholly or in part without the prior written consent of ITT Industries © 05-Apr-06		