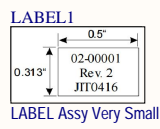
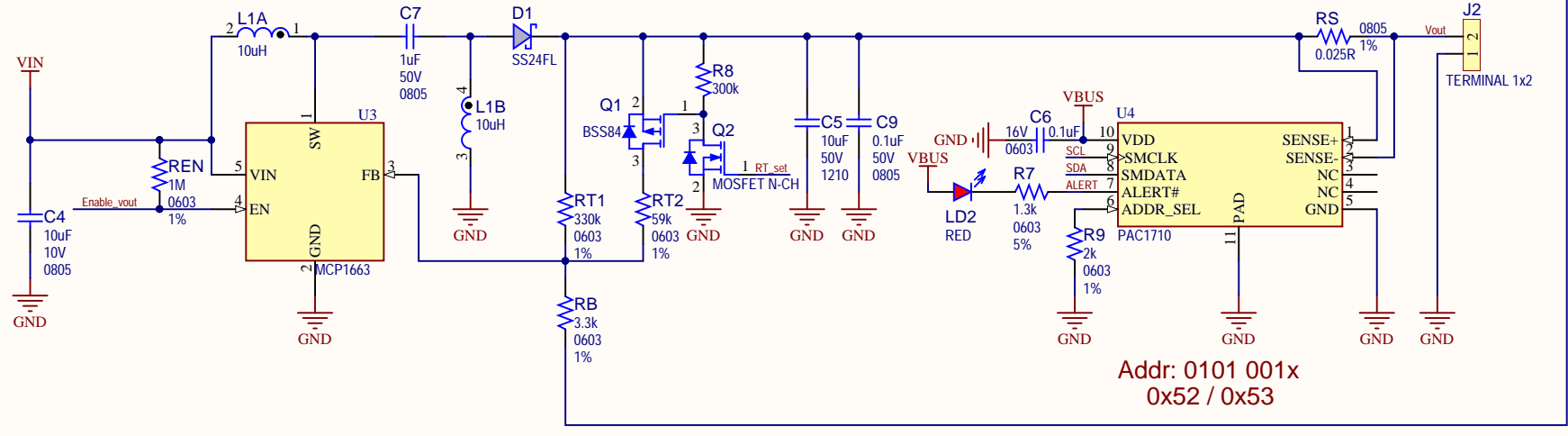
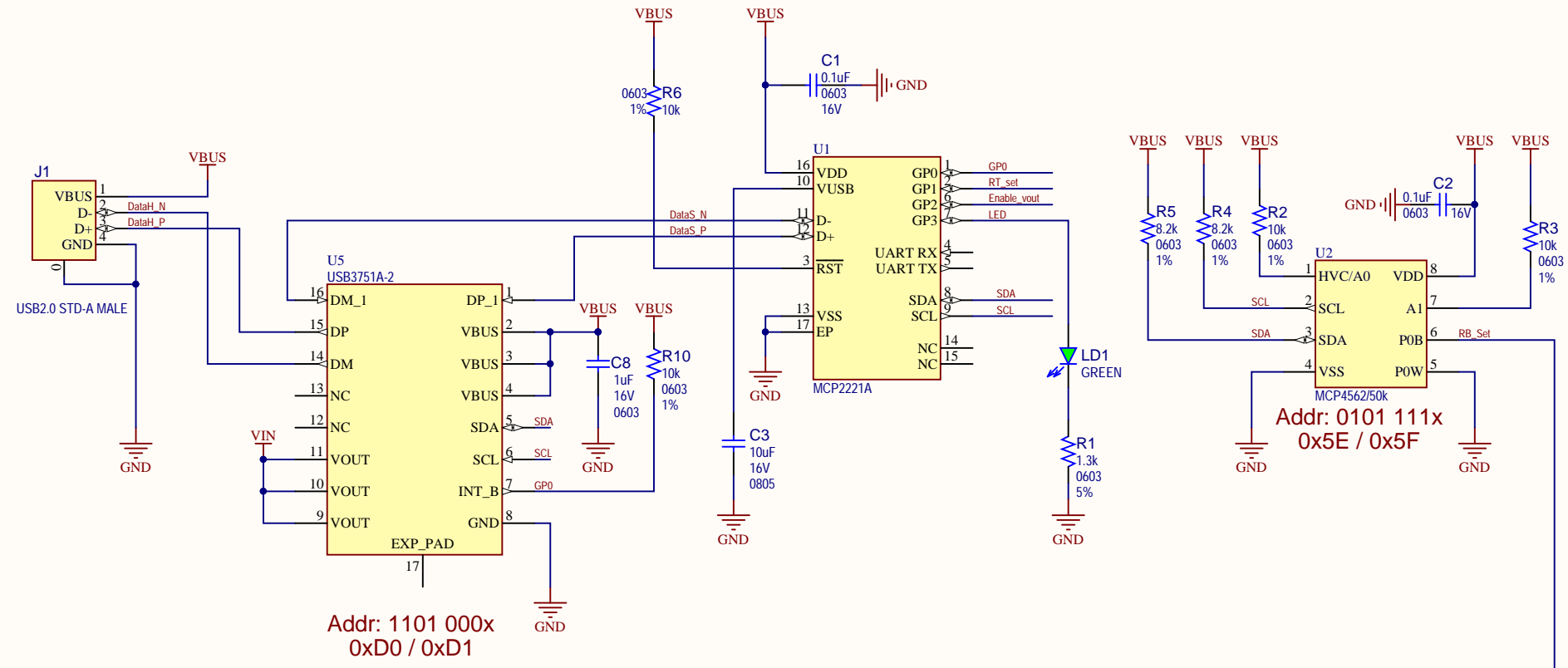


REV	ECO#	DESCRIPTION	DATE



Drawn By: Razvan Costache	
Engineer: Razvan Costache	
PartNumber: ARD00698	Project Title <b>MCP1663 Digital Power Supply Ref. Design</b>
Sheet Title <b>MCP1663 Digital Power Supply</b>	Designed with 
Size B	Sch #03-10468 Date: 11/9/2017 12:30:45 PM Revision:1 Sheet 1 of 1
File: MCP1663_Digital_PS.SchDoc	