

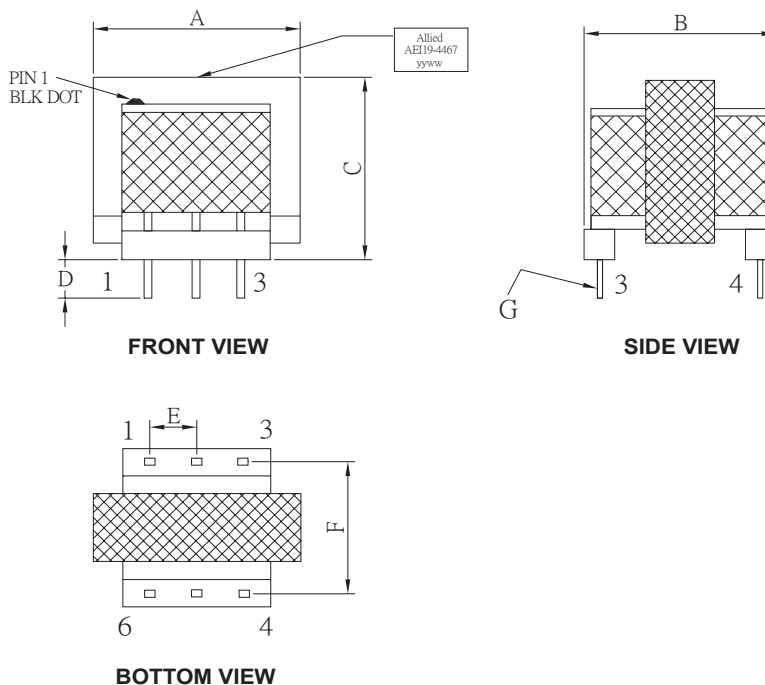
- E119.5 Core Design
- 600 Ohm : 600Ohm CT
- 200 Hz to 15KHz Operating Frequency Range
- Operating Temperature Range: 0°C to 105°C

Electrical Specifications @ 25°C						
Impedance 1KHz/1V Primary(Sec@600Ω) Primary DC Unbalance 15mA	DCR (Ω±15%)		Insertion Loss @1KHz	Frequency Response @200Hz to 15KHz	Turns Ratio: @15.75KHz 1.0V (1-3) : (4-6)	Hi-Pot 1.5KV/1 SEC
(1 - 3): 600Ω ±15%	R(1 - 3): 44.0Ω NOM	R(4 - 6): 58.0Ω NOM	1.5dB Max	± 2.0dB	1 : 1 ± 3%	P-S-C

All specifications subject to change without notice.

MECHANICAL

Dimensions: (mm)



A	B	C	D	E	F	G
20.62	17.78	18.80	4.75	4.75	10.67	0.95*0.51
MAX	MAX	MAX	REF	±0.50	±0.50	±0.10

SCHEMATICS

