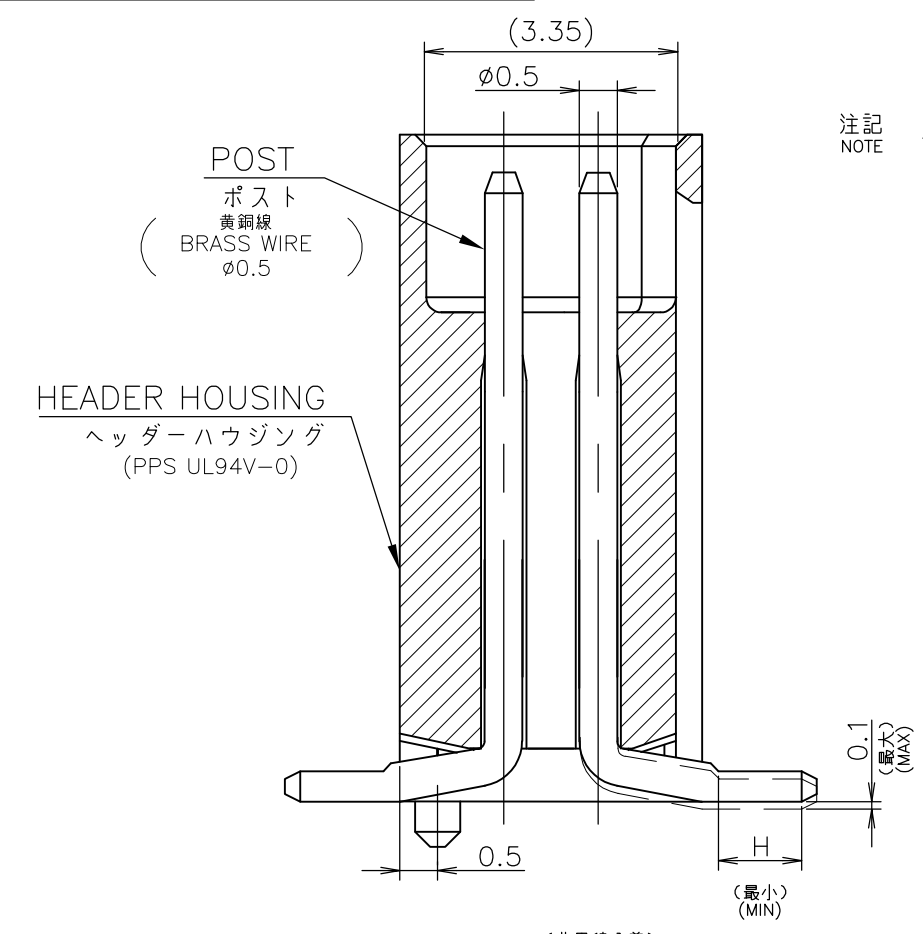
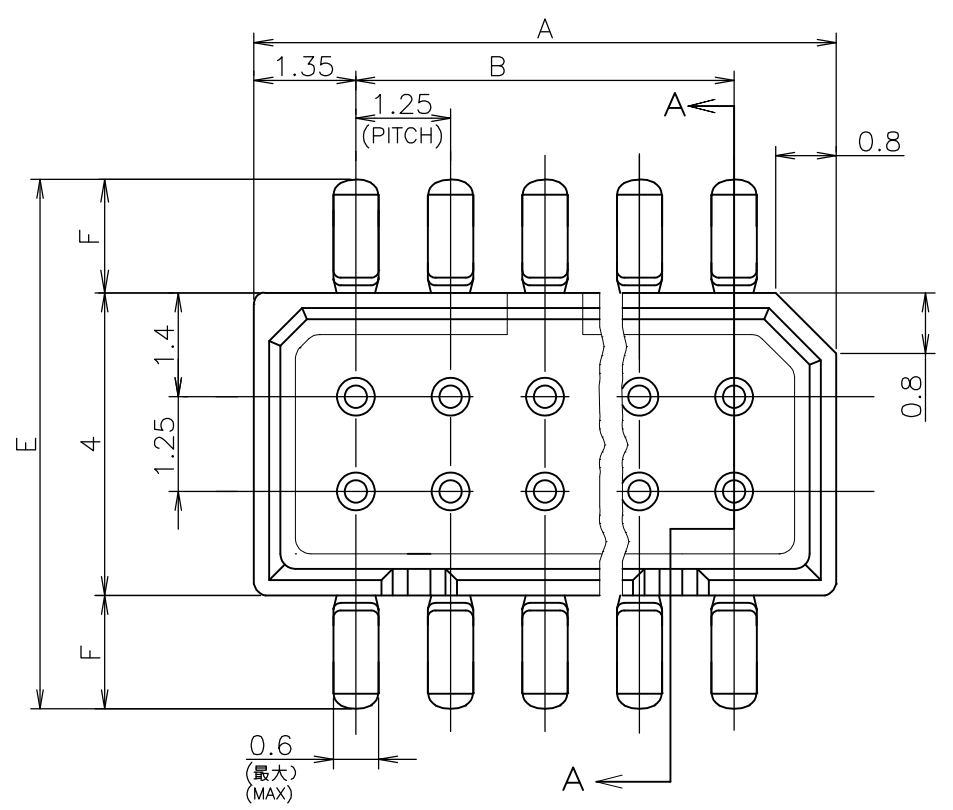


THIS DRAWING IS UNPUBLISHED. RELEASED FOR PUBLICATION
 © COPYRIGHT By - ALL RIGHTS RESERVED.

REVISIONS					
P	LTR	DESCRIPTION	DATE	DWN	APVD
J2		REVISED ECR-15-018167	14JAN2016	I.T	W.H



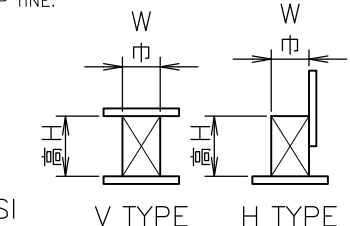
注記
 NOTE 1 嵌合相手製品型番及び、嵌合時寸法は
 MATING COUNTER PART NUMBER AND DIMENSIONS
 表-1 参照のこと。
 AFTER MATING: SEE TABLE 1.

嵌合時寸法:巾(mm)x高さ(mm)
 DIMENSIONS AFTER MATING: WIDTH(mm) x HEIGHT(mm)

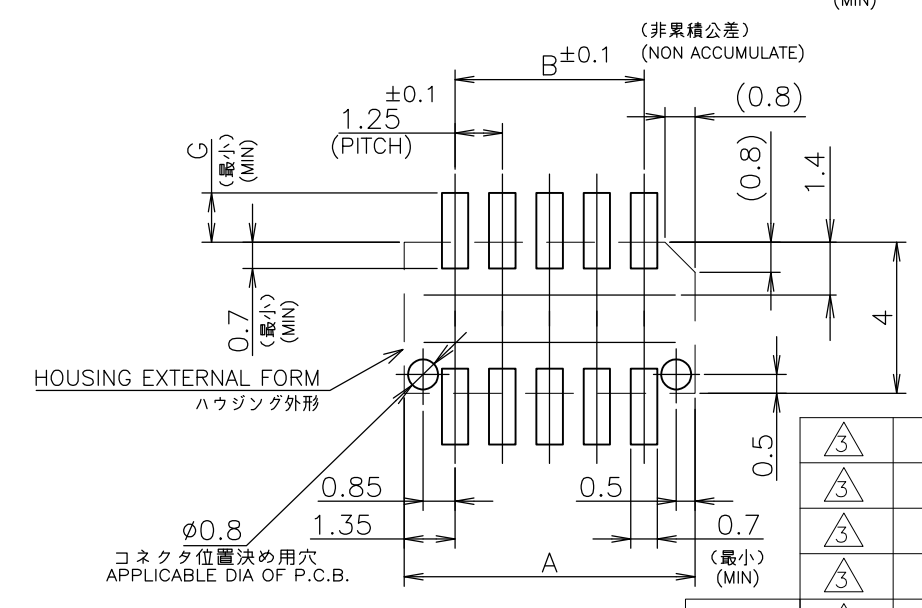
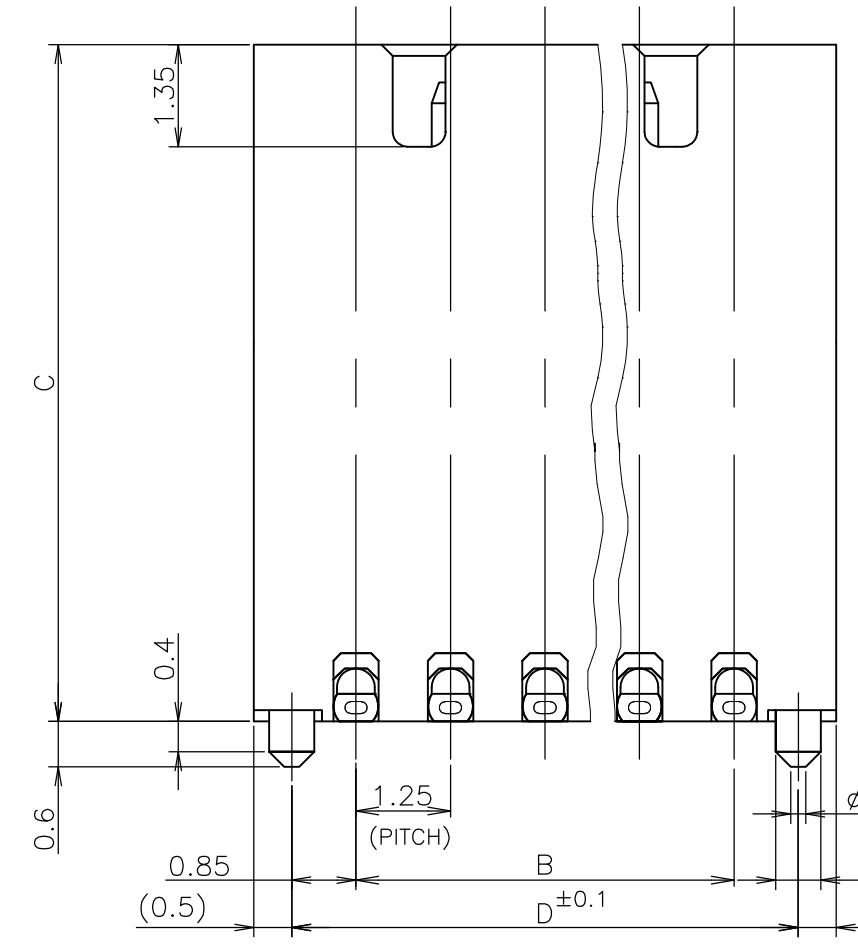
DIP TYPE	POST HDR ASSY	SMT TYPE - IMPROVED TYPE X-176140-X ポスト付 WITH BOSS		
		ハウジング高さ C寸法 HOUSING HEIGHT C DIMENSIONS		
V TYPE X-176870-X		3.95	5.45	7.0(巾W)x 5.95(高H)
H TYPE X-176892-X		5.6(巾W)x 5.0(高H)	5.6(巾W)x 6.5(高H)	7.0(巾W)x 10.0(高H)
SMT TYPE	V TYPE ポスト無 WITHOUT BOSS X-176768-X	5.6(巾W)x	5.6(巾W)x	7.0(巾W)x
	ポスト付 WITH BOSS X-176311-X	5.0(高H)	6.5(高H)	10.0(高H)
SMT TYPE	H TYPE ポスト無 WITHOUT BOSS X-176893-X	5.6(巾W)x	5.6(巾W)x	7.0(巾W)x
	ポスト付 WITH BOSS X-176490-X	6.9(高H)	8.4(高H)	7.0(巾W)x 11.9(高H)

TABLE 1
 表-1 SMT TYPEは、巾及び高さ寸法に
 SMT TYPE INCLUDE DIMENSIONS
 半田付タイプ寸法を含みます。
 OF SOLDER DIP TINE.

- ① 仕上げ: 錫めっき(材料めっき)リフロー
FINISH; PLI-TIN REFLOW
- ③ 仕上げ: ニッケル下地錫めっき(後めっき)
FINISH; TIN PL. Ni UNDER PL. ALL OVER
- ④ OBSOLETE PARTS: OBSOLETE CIS
STREAMLINING PER D.RENAUD/D.SINISI



鉛フリー
 LEAD FREE



P.C.B MOUNTING LAYOUT
 基板加工寸法
 (適用基板厚: 0.6mm 最小)
 (APPLICABLE P.C.B THK: 0.6mm MIN)

③						19.20		17.50	20.20	30	9-	-0
③						16.70	3.95	15.00	17.70	26	8-	-6
③		0.4	1.3	0.8	5.6	10.45	5.45	8.75	11.45	16	④ 4-	-6
③						19.20		17.50	20.20	30	3-	-0
③						15.45		13.75	16.45	24	2-	-4
③	黑色 BLACK	1.0	2.0	1.5	7.0	14.20	8.85	12.50	15.20	22	2-176140-2	
仕上げ FINISH	色別 COLOR	H	G	F	E	D	C	B	A	極数 Pos.	型番 P/N	

THIS DRAWING IS A CONTROLLED DOCUMENT.

DIMENSIONS: mm	TOLERANCES UNLESS OTHERWISE SPECIFIED: Ø PLC ± 1 PLC ± 2 PLC ± 3 PLC ± 4 PLC ± ANGLES ± FINISH	10以下: ±0.2 10*最大 30以下: ±0.25 30*最大 100以下: ±0.3 公差: ±3'	DWN S.KANEKI 20FEB89	 TE Connectivity	NAME 1.25 F-P CONNECTOR (B-TO-B) DOUBLE ROW POST HDR ASSY SMT TYPE WITH BOSS - IMPROVED TYPE	
MATERIAL AS SHOWN 図中参照	FINISH AS SHOWN 図中参照	APVD J.TANIGAWA 20FEB89	PRODUCT SPEC 108-5246		SIZE A3	CAGE CODE 00779
		APVD N.ONOUE 20FEB89	APPLICATION SPEC		DRAWING NO C-176140	RESTRICTED TO
			WEIGHT		SCALE 10:1	SHEET 1 OF 1

CUSTOMER DRAWING