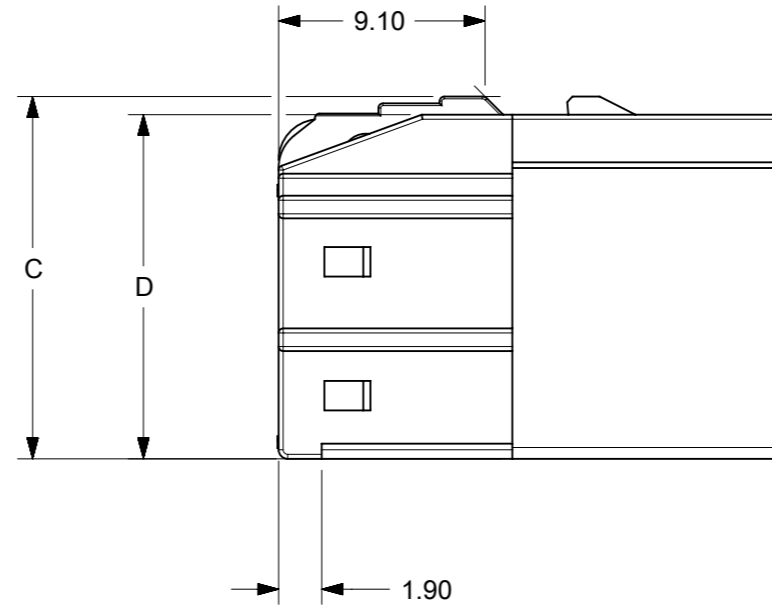
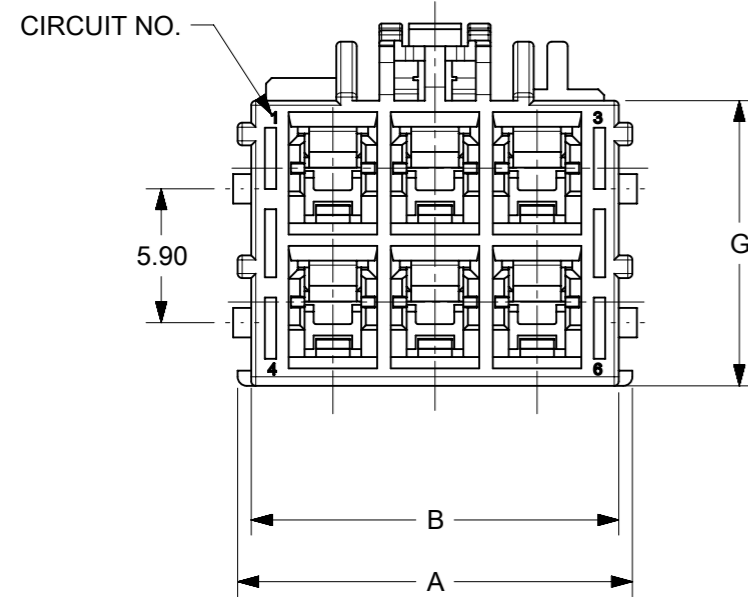
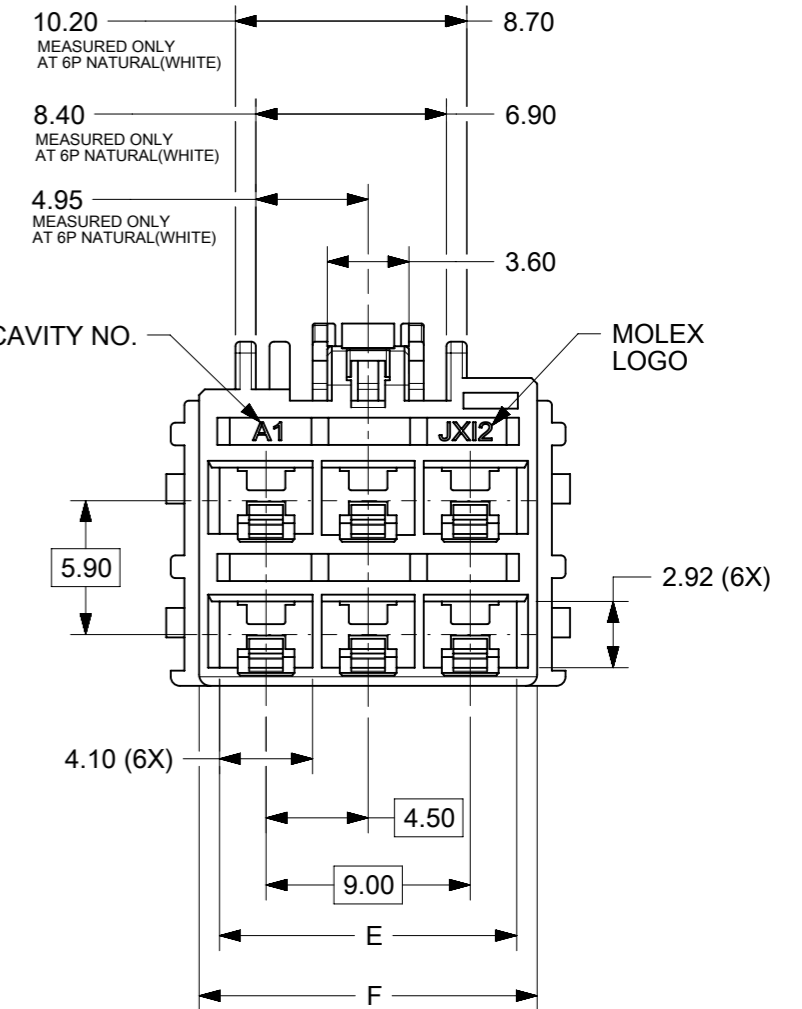


[ ALL MATERIAL NO. & HSG. COLOR ]

CKT NO.	MATERIAL NO.	COLOR
6	2069972601	BLUE
	2069972606	BLACK
	2069972611	NATURAL (WHITE)
4	2069972401	BLUE
	2069972406	BLACK
	2069972411	NATURAL (WHITE)
2	2069972200	ORANGE
	2069972201	BLUE
	2069972203	YELLOW
	2069972206	BLACK
	2069972209	RED
2	2069972211	NATURAL (WHITE)

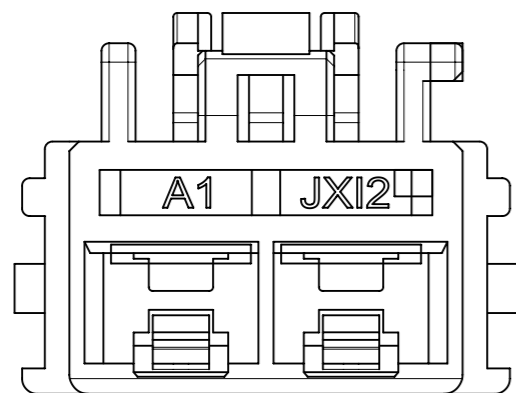


- NOTES:
- MATERIAL: NYLON(PA66/6) UNFILLED, UL94V-0, COLOR: SEE TABLE
  - APPLICATION TERMINAL :  
206999 SERIES (FOR WIRE RANGE #16~#22)  
207000 SERIES (FOR WIRE RANGE #20~#26)
  - APPLICATION RETAINER : 206998 SERIES
  - MATE WITH HOUSING: 206996 SERIES
  - PRODUCT SPECIFICATION: 2069960000PS
  - PACKAGING SPECIFICATION: 2069960000PK

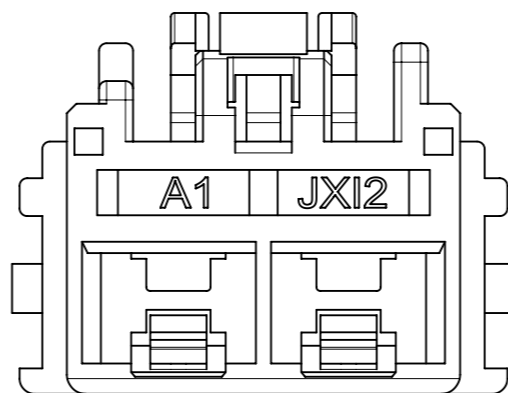
CKT. NO.	A	B	C	D	E	F	G	MATERIAL NO.
6	17.4	16.2	15.97	15.17	13.1	14.9	12.57	REFER TO SHEET 6
4	12.9	11.7	15.97	15.17	8.6	10.4	12.57	REFER TO SHEET 5
2	12.9	11.7	10.07	9.27	8.6	10.4	6.67	REFER TO SHEET 4

FUNCTIONAL SYMBOLS	THIS DRAWING CONTAINS INFORMATION THAT IS PROPRIETARY TO MOLEX ELECTRONIC TECHNOLOGIES, LLC AND SHOULD NOT BE USED WITHOUT WRITTEN PERMISSION	CURRENT REV DESC:																																																		
	<table border="1"> <tr> <th>FUNCTIONAL SYMBOLS</th> <th>DIMENSION UNITS</th> <th>SCALE</th> </tr> <tr> <td><math>\nabla_A = 0</math></td> <td>mm</td> <td>3:1</td> </tr> <tr> <td><math>\nabla_E = 0</math></td> <td colspan="2">GENERAL TOLERANCES (UNLESS SPECIFIED)</td> </tr> <tr> <td><math>\nabla_F = 0</math></td> <td colspan="2">ANGULAR TOL <math>\pm 5.0^\circ</math></td> </tr> <tr> <td></td> <td>4 PLACES</td> <td><math>\pm</math></td> </tr> <tr> <td></td> <td>3 PLACES</td> <td><math>\pm 0.2</math></td> </tr> <tr> <td></td> <td>2 PLACES</td> <td><math>\pm 0.2</math></td> </tr> <tr> <td></td> <td>1 PLACE</td> <td><math>\pm 0.2</math></td> </tr> <tr> <td></td> <td>0 PLACES</td> <td><math>\pm 0.3</math></td> </tr> </table>	FUNCTIONAL SYMBOLS	DIMENSION UNITS				SCALE	$\nabla_A = 0$	mm	3:1	$\nabla_E = 0$	GENERAL TOLERANCES (UNLESS SPECIFIED)		$\nabla_F = 0$	ANGULAR TOL $\pm 5.0^\circ$			4 PLACES	$\pm$		3 PLACES	$\pm 0.2$		2 PLACES	$\pm 0.2$		1 PLACE	$\pm 0.2$		0 PLACES	$\pm 0.3$	<table border="1"> <tr> <td>EC NO: 634911</td> <td>2020/03/27</td> </tr> <tr> <td>DRWN: SCHONG03</td> <td>2020/03/30</td> </tr> <tr> <td>CHK'D: JBJIN</td> <td>2020/03/30</td> </tr> <tr> <td>APPR: YSKIM02</td> <td>2020/03/30</td> </tr> </table>		EC NO: 634911	2020/03/27	DRWN: SCHONG03	2020/03/30	CHK'D: JBJIN	2020/03/30	APPR: YSKIM02	2020/03/30	<table border="1"> <tr> <td colspan="3">PRODUCT CUSTOMER DRAWING</td> </tr> <tr> <td>DOCUMENT NUMBER</td> <td>DOC TYPE</td> <td>DOC PART</td> </tr> <tr> <td>2069970000</td> <td>PSD</td> <td>001</td> </tr> <tr> <td>REVISION</td> <td colspan="2">A2</td> </tr> </table>			PRODUCT CUSTOMER DRAWING			DOCUMENT NUMBER	DOC TYPE	DOC PART	2069970000	PSD
FUNCTIONAL SYMBOLS	DIMENSION UNITS	SCALE																																																		
$\nabla_A = 0$	mm	3:1																																																		
$\nabla_E = 0$	GENERAL TOLERANCES (UNLESS SPECIFIED)																																																			
$\nabla_F = 0$	ANGULAR TOL $\pm 5.0^\circ$																																																			
	4 PLACES	$\pm$																																																		
	3 PLACES	$\pm 0.2$																																																		
	2 PLACES	$\pm 0.2$																																																		
	1 PLACE	$\pm 0.2$																																																		
	0 PLACES	$\pm 0.3$																																																		
EC NO: 634911	2020/03/27																																																			
DRWN: SCHONG03	2020/03/30																																																			
CHK'D: JBJIN	2020/03/30																																																			
APPR: YSKIM02	2020/03/30																																																			
PRODUCT CUSTOMER DRAWING																																																				
DOCUMENT NUMBER	DOC TYPE	DOC PART																																																		
2069970000	PSD	001																																																		
REVISION	A2																																																			
DIVISIONAL SYMBOLS	<table border="1"> <tr> <td>DRAFT WHERE APPLICABLE MUST REMAIN WITHIN DIMENSIONS</td> <td>THIRD ANGLE PROJECTION</td> <td>DRAWING</td> <td>SERIES</td> <td>MATERIAL NUMBER</td> <td>CUSTOMER</td> <td>SHEET NUMBER</td> </tr> <tr> <td></td> <td></td> <td>A3-SIZE</td> <td>206997</td> <td></td> <td></td> <td>1 OF 4</td> </tr> </table>	DRAFT WHERE APPLICABLE MUST REMAIN WITHIN DIMENSIONS	THIRD ANGLE PROJECTION	DRAWING	SERIES	MATERIAL NUMBER	CUSTOMER	SHEET NUMBER			A3-SIZE	206997			1 OF 4																																					
DRAFT WHERE APPLICABLE MUST REMAIN WITHIN DIMENSIONS	THIRD ANGLE PROJECTION	DRAWING	SERIES	MATERIAL NUMBER	CUSTOMER	SHEET NUMBER																																														
		A3-SIZE	206997			1 OF 4																																														

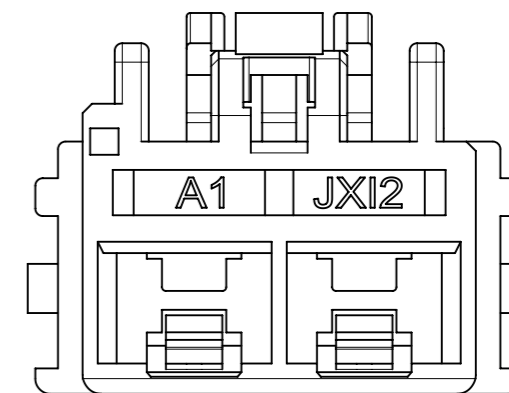
HOUSING WITH POLARIZATION FEATURES AND COLOR FOR 2 CKTS



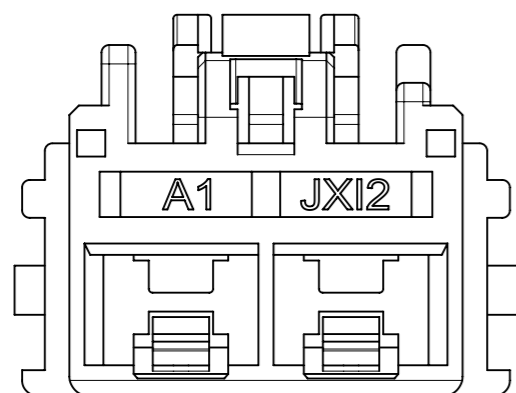
① 2069972200  
ORANGE



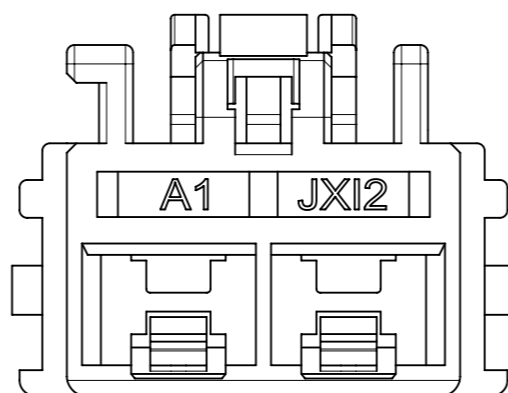
② 2069972201  
BLUE



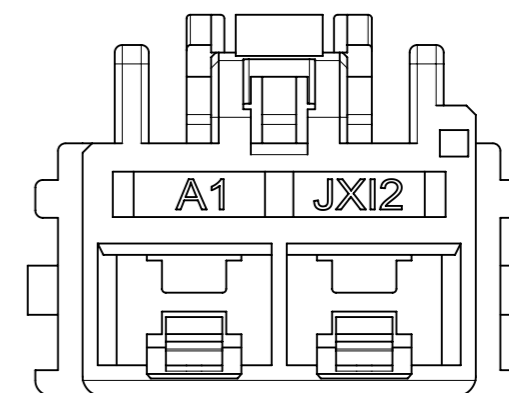
③ 2069972203  
YELLOW



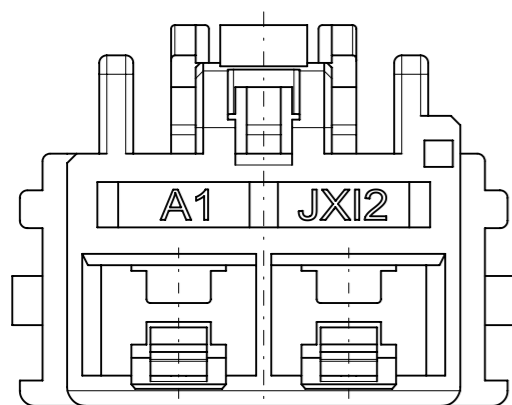
④ 2069972206  
BLACK



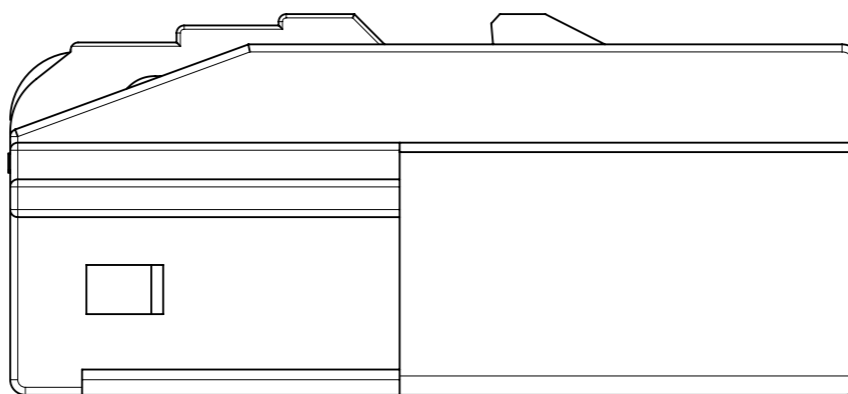
⑤ 2069972209  
RED



⑥ 2069972211  
NATURAL (WHITE)



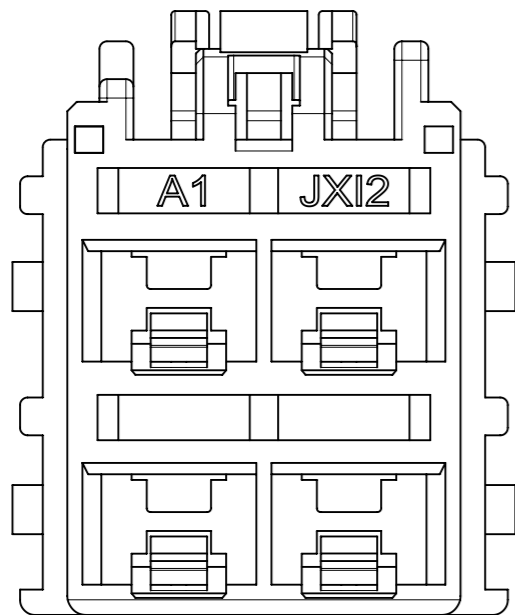
4.50



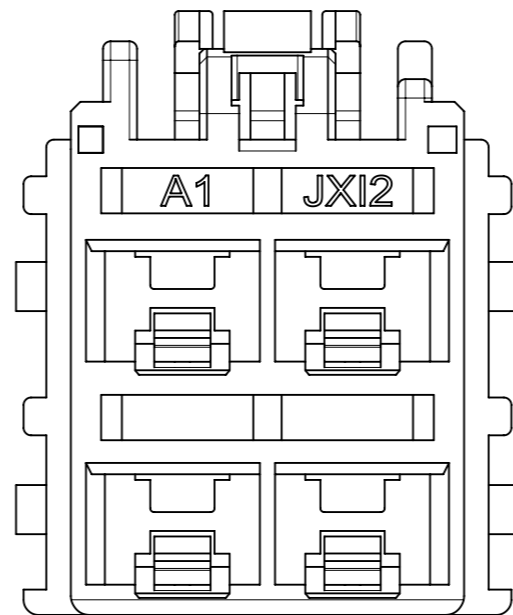
CONFIGURATION	MATERIAL NO.	COLOR
1	2069972200	ORANGE
2	2069972201	BLUE
3	2069972203	YELLOW
4	2069972206	BLACK
5	2069972209	RED
6	2069972211	NATURAL (WHITE)

FUNCTIONAL SYMBOLS	THIS DRAWING CONTAINS INFORMATION THAT IS PROPRIETARY TO MOLEX ELECTRONIC TECHNOLOGIES, LLC AND SHOULD NOT BE USED WITHOUT WRITTEN PERMISSION		CURRENT REV DESC:		<b>molex</b>
	DIMENSION UNITS	SCALE			
	mm	5:1			CP 4.5 PLUG HOUSING
	GENERAL TOLERANCES (UNLESS SPECIFIED)				PRODUCT CUSTOMER DRAWING
	ANGULAR TOL ± 5.0°				
DIVISIONAL SYMBOLS	4 PLACES	±			DOCUMENT NUMBER
	3 PLACES	± 0.2			
	2 PLACES	± 0.2			DOC PART
	1 PLACE	± 0.2			
	0 PLACES	± 0.3			
DRAFT WHERE APPLICABLE MUST REMAIN WITHIN DIMENSIONS		THIRD ANGLE PROJECTION	DRAWING	SERIES	MATERIAL NUMBER
			A3-SIZE	206997	CUSTOMER
					SHEET NUMBER
					2 OF 4

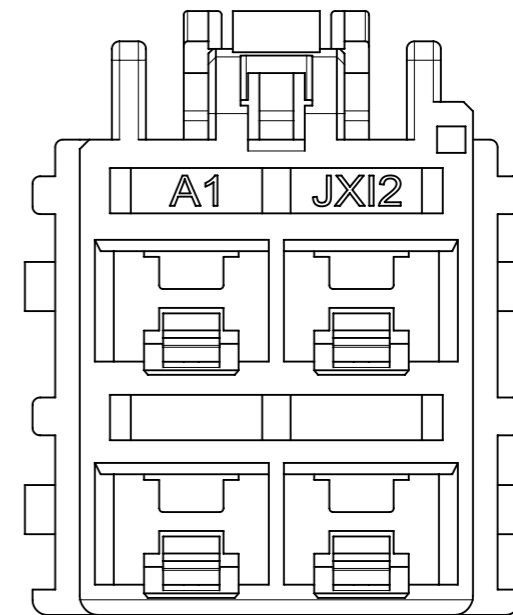
HOUSING WITH POLARIZATION FEATURES AND COLOR FOR 4 CKTS



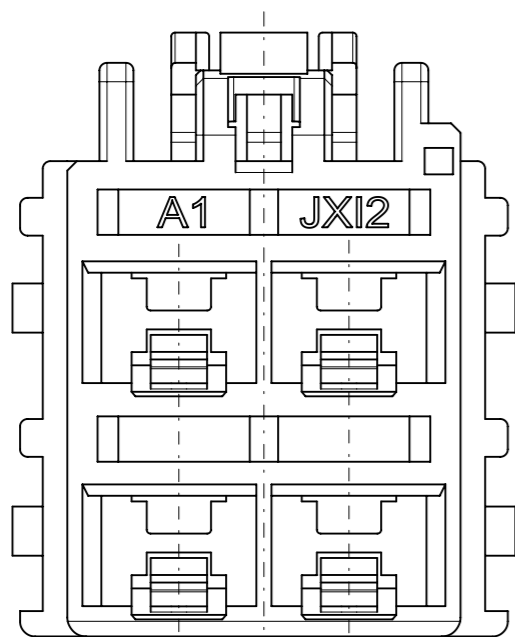
① 2069972401  
BLUE



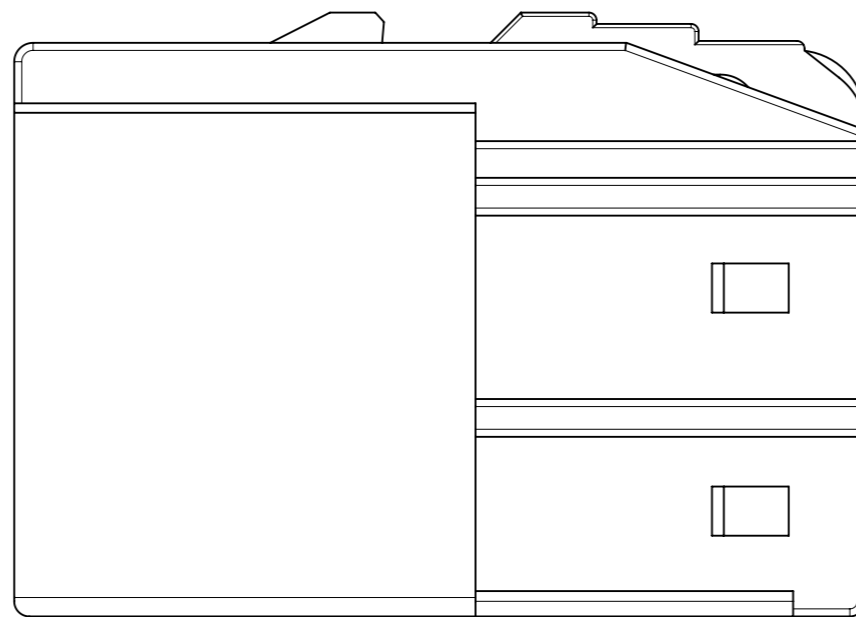
② 2069972406  
BLACK



③ 2069972411  
NATURAL (WHITE)



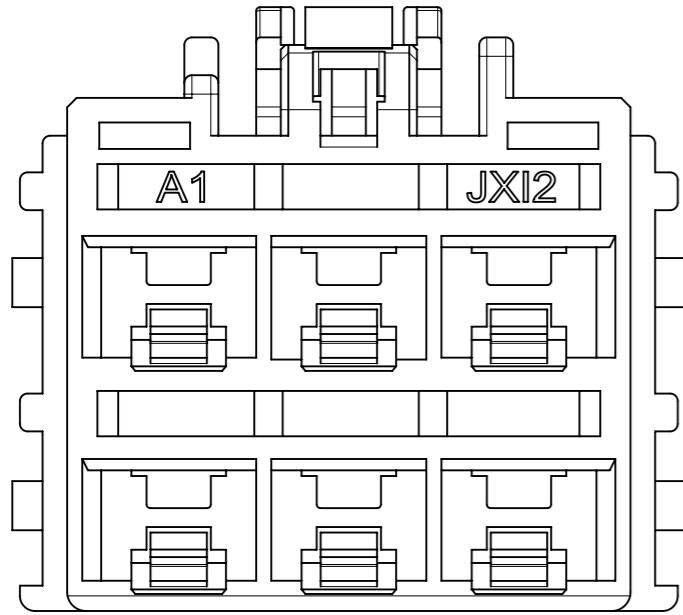
4.50



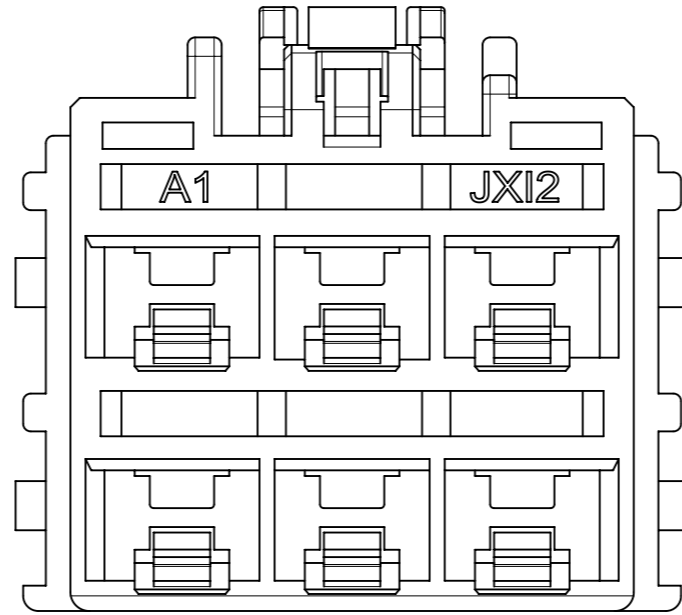
1	2069972401	BLUE
2	2069972406	BLACK
3	2069972411	NATURAL (WHITE)
CONFIGURATION		MATERIAL NO.
		COLOR

FUNCTIONAL SYMBOLS	THIS DRAWING CONTAINS INFORMATION THAT IS PROPRIETARY TO MOLEX ELECTRONIC TECHNOLOGIES, LLC AND SHOULD NOT BE USED WITHOUT WRITTEN PERMISSION		CURRENT REV DESC:	
	△/A = 0	mm	SCALE	5:1
△/E = 0	GENERAL TOLERANCES (UNLESS SPECIFIED)			
△/P = 0	ANGULAR TOL ± 5.0°			
DIVISIONAL SYMBOLS	4 PLACES	±		
	3 PLACES	±	0.2	
	2 PLACES	±	0.2	
	1 PLACE	±	0.2	
	0 PLACES	±	0.3	
DRAFT WHERE APPLICABLE MUST REMAIN WITHIN DIMENSIONS		THIRD ANGLE PROJECTION	DRAWING	SERIES
			A3-SIZE	206997
EC NO: 634911		DRWN: SCHONG03	2020/03/27	
CHK'D: JBJIN		APPR: YSKIM02	2020/03/30	
INITIAL REVISION:		DRWN: SCHONG03	2019/02/18	
		APPR: YSKIM02	2020/03/19	
DOCUMENT NUMBER		2069970000	DOC TYPE	DOC PART
			PSD	001
REVISION		A2		
MATERIAL NUMBER		CUSTOMER	SHEET NUMBER	
			3 OF 4	

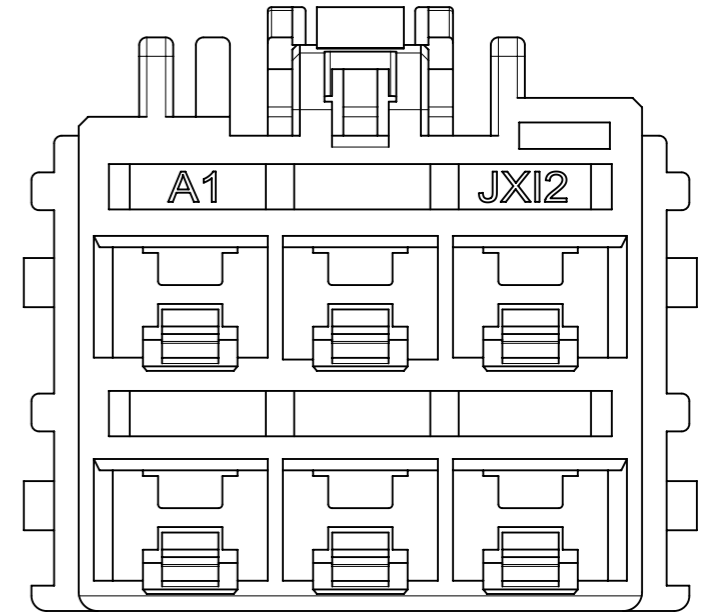
HOUSING WITH POLARIZATION FEATURES AND COLOR FOR 6 CKTS



① 2069972601  
BLUE



② 2069972606  
BLACK



③ 2069972611  
NATURAL (WHITE)

1	2069972601	BLUE
2	2069972606	BLACK
3	2069972611	NATURAL (WHITE)
CONFIGURATION		MATERIAL NO.
		COLOR

FUNCTIONAL SYMBOLS ▽/A = 0 ▽/E = 0 ▽/P = 0	THIS DRAWING CONTAINS INFORMATION THAT IS PROPRIETARY TO MOLEX ELECTRONIC TECHNOLOGIES, LLC AND SHOULD NOT BE USED WITHOUT WRITTEN PERMISSION		CURRENT REV DESC:		<b>molex</b>
	DIMENSION UNITS <b>mm</b>	SCALE <b>5:1</b>	EC NO: 634911 DRWN: SCHONG03 2020/03/27 CHK'D: JBJIN 2020/03/30 APPR: YSKIM02 2020/03/30		
DIVISIONAL SYMBOLS	GENERAL TOLERANCES (UNLESS SPECIFIED)		INITIAL REVISION:		PRODUCT CUSTOMER DRAWING
	ANGULAR TOL ± 5.0°		DRWN: SCHONG03 2019/02/18 APPR: YSKIM02 2020/03/19		
4 PLACES ±		3 PLACES ± 0.2		DOC TYPE DOC PART REVISION PSD 001 A2	
2 PLACES ± 0.2		1 PLACE ± 0.2		MATERIAL NUMBER CUSTOMER SHEET NUMBER	
0 PLACES ± 0.3		DRAFT WHERE APPLICABLE MUST REMAIN WITHIN DIMENSIONS		A3-SIZE 206997 4 OF 4	