

4

3

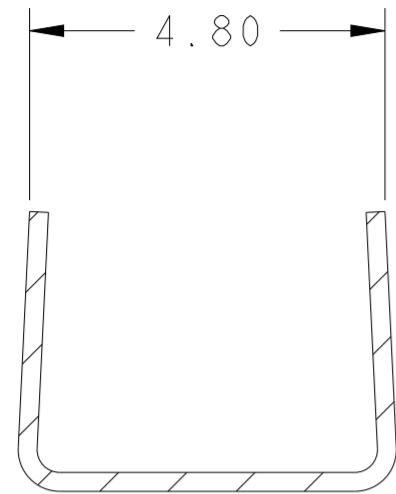
2

1

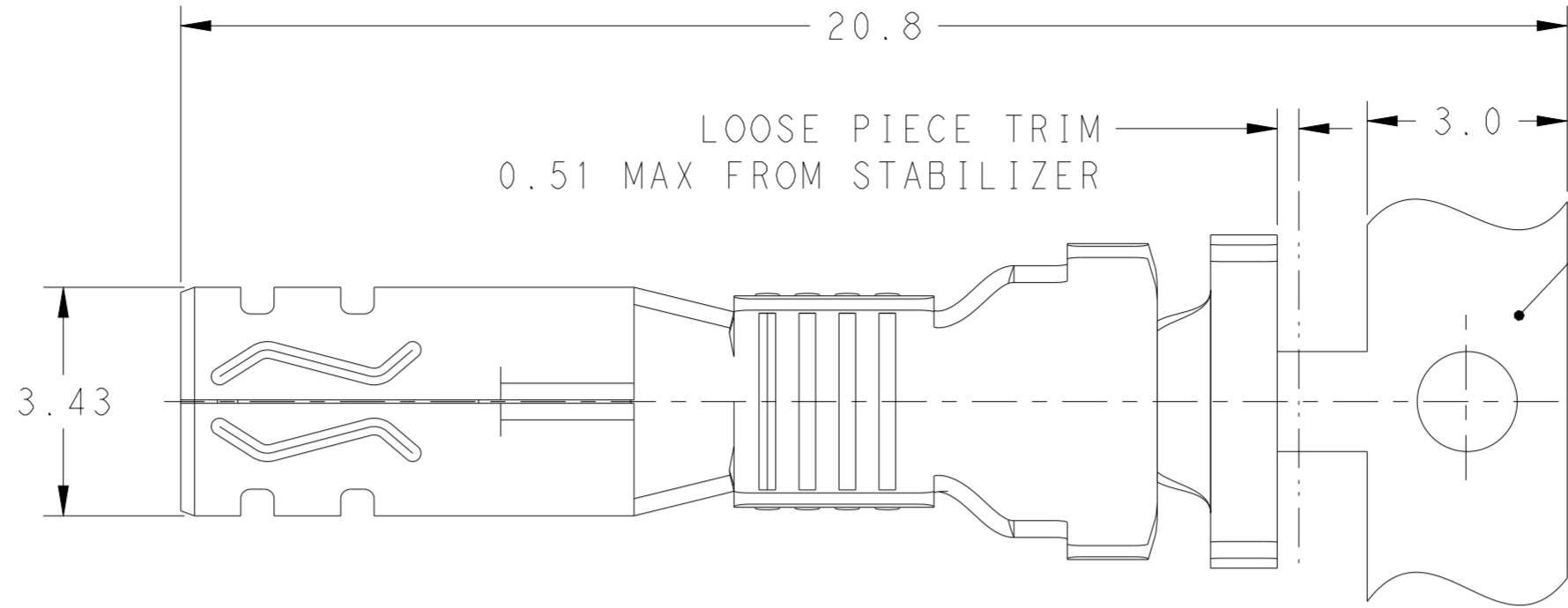
THIS DRAWING IS UNPUBLISHED. RELEASED FOR PUBLICATION 20  
© COPYRIGHT 20 BY - ALL RIGHTS RESERVED.

LOC ES DIST 00

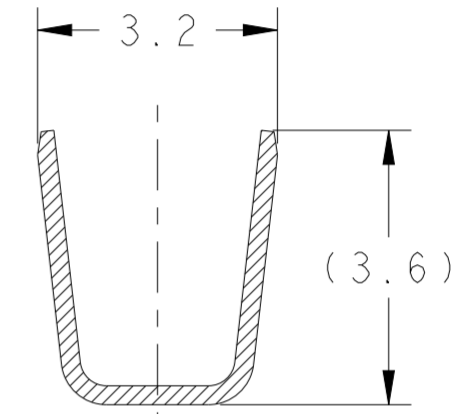
REVISIONS				DATE	DWN	APVD
P	LTR	DESCRIPTION	DATE	DWN	APVD	
E		REVISED PER ECR-21-100678	08APR2021	SS	VS	



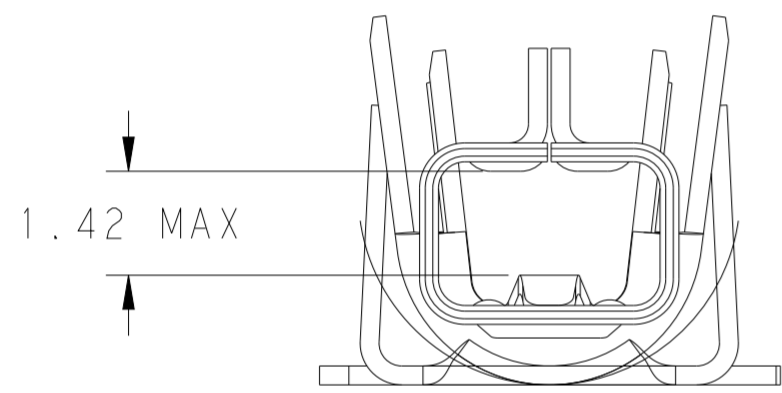
SECTION E-E



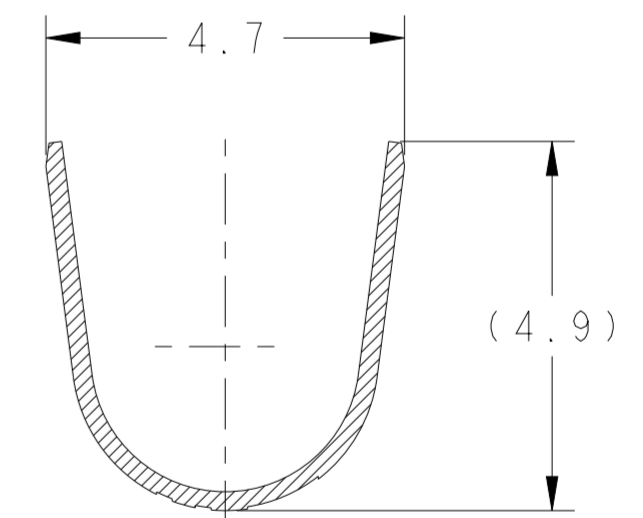
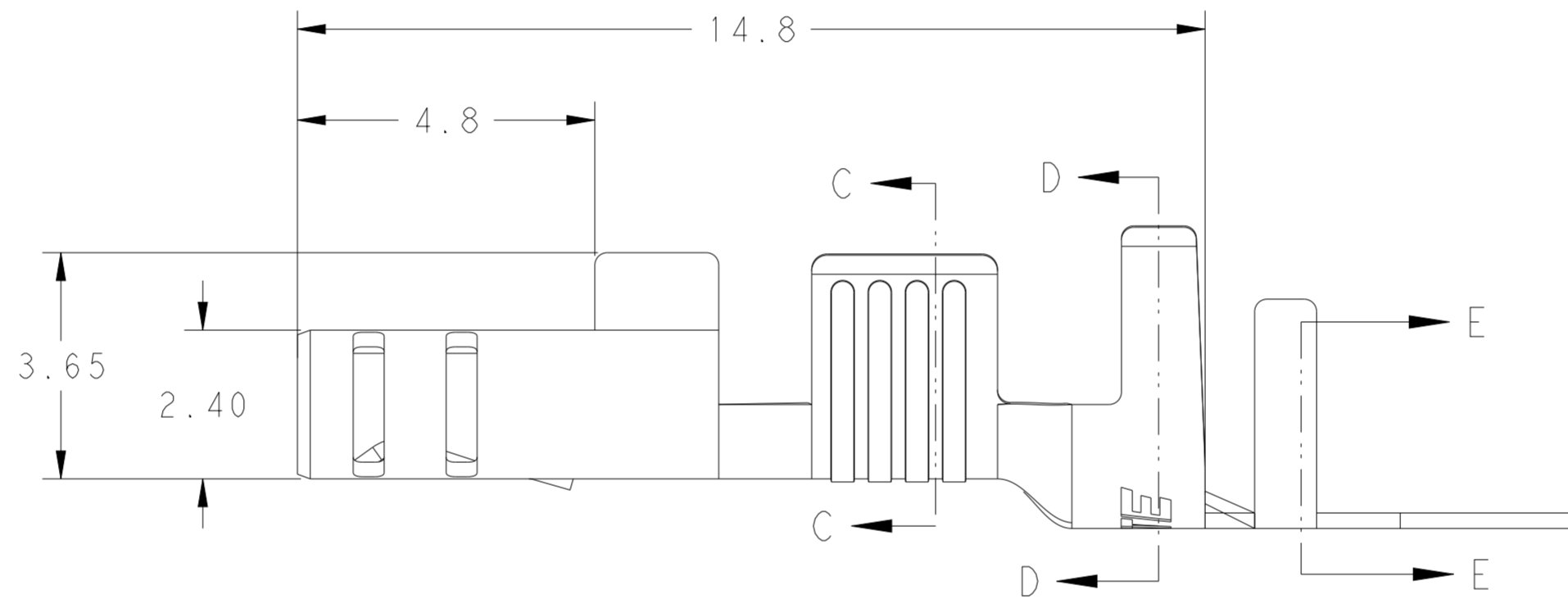
CARRIER NOT PRESENT ON LOOSE PIECE



SECTION C-C

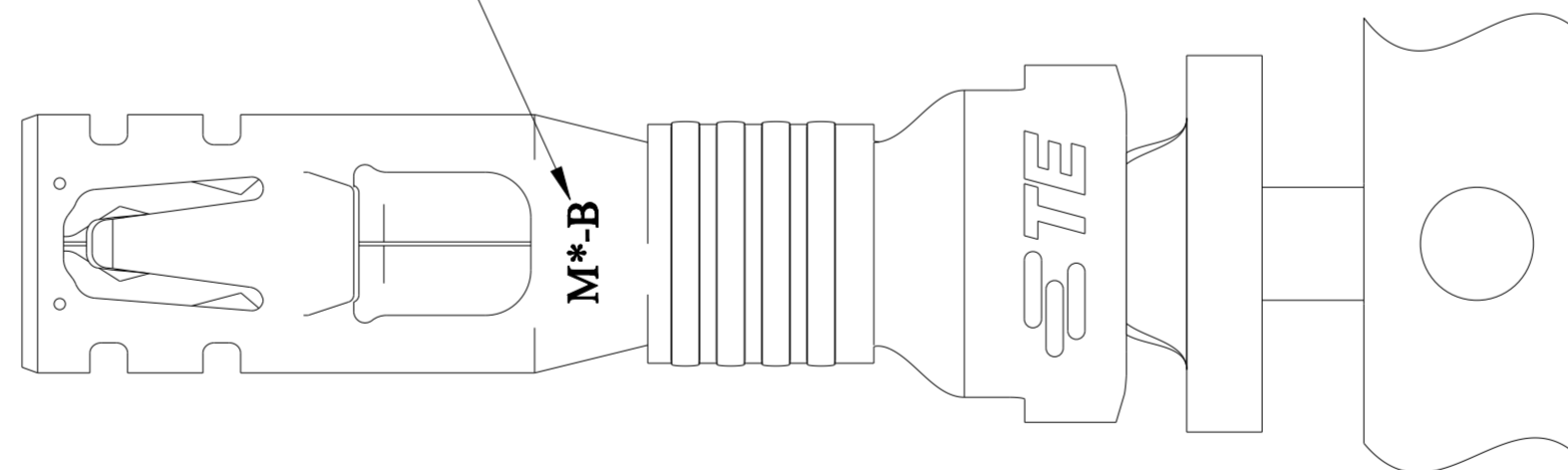


1.42 MAX



SECTION D-D

△ MATERIAL/SIZE MARK



- 1. RECOMMENDED WIRE RANGE: 14 AWG COPPER STRANDED (3500-4300 CMA)
- 2. APPLICABLE INSULATION DIAMETER: 3.40~3.70mm,
- 3. APPLICABLE MATED PLUG HOUSING P/N:  
\*-1971773-\*/\*-1971776-\*/\*-1971876-\*/  
\*-2232265-\*/\*-2232266-\*/\*-2232357-\*

△ WIRE SIZE INDICATOR "B"=14 AWG

LOOSE PIECE	COPPER ALLOY	HIGH 150°C	M0-B	4-1971781-2
CONTINUOUS W CARRIER	COPPER ALLOY	HIGH(150°C)	M0-B	1971781-2
CONTINUOUS W CARRIER	PHOS BRONZE	STANDARD(105°C)	M1-B	1971781-1
CONFIGURATION	MATERIAL	TEMP. RATING	△ MATERIAL/SIZE MARK	PART NO

THIS DRAWING IS A CONTROLLED DOCUMENT.

DIMENSIONS: mm  	TOLERANCES UNLESS OTHERWISE SPECIFIED:	DWN TOMMY WU 11 JUL 2012	TE Connectivity <b>RECEPTACLE CONTACT POWER TRIPLE LOCK</b>				
	0 PLC ± 0.5	CHK HAPYE WU 11 JUL 2012					
	1 PLC ± 0.30	APVD YUHONG MAO 11 JUL 2012					
	2 PLC ±	NAME					
3 PLC ±	PRODUCT SPEC	108-106118	SIZE	CAGE CODE	DRAWING NO	RESTRICTED TO	
4 PLC ±	FINISH	114-106118	A2	00779	G-1971781	-	
MATERIAL	PRE-TIN	WEIGHT	Customer Drawing		SCALE 6:1	SHEET 1 OF 1	REV E