

4

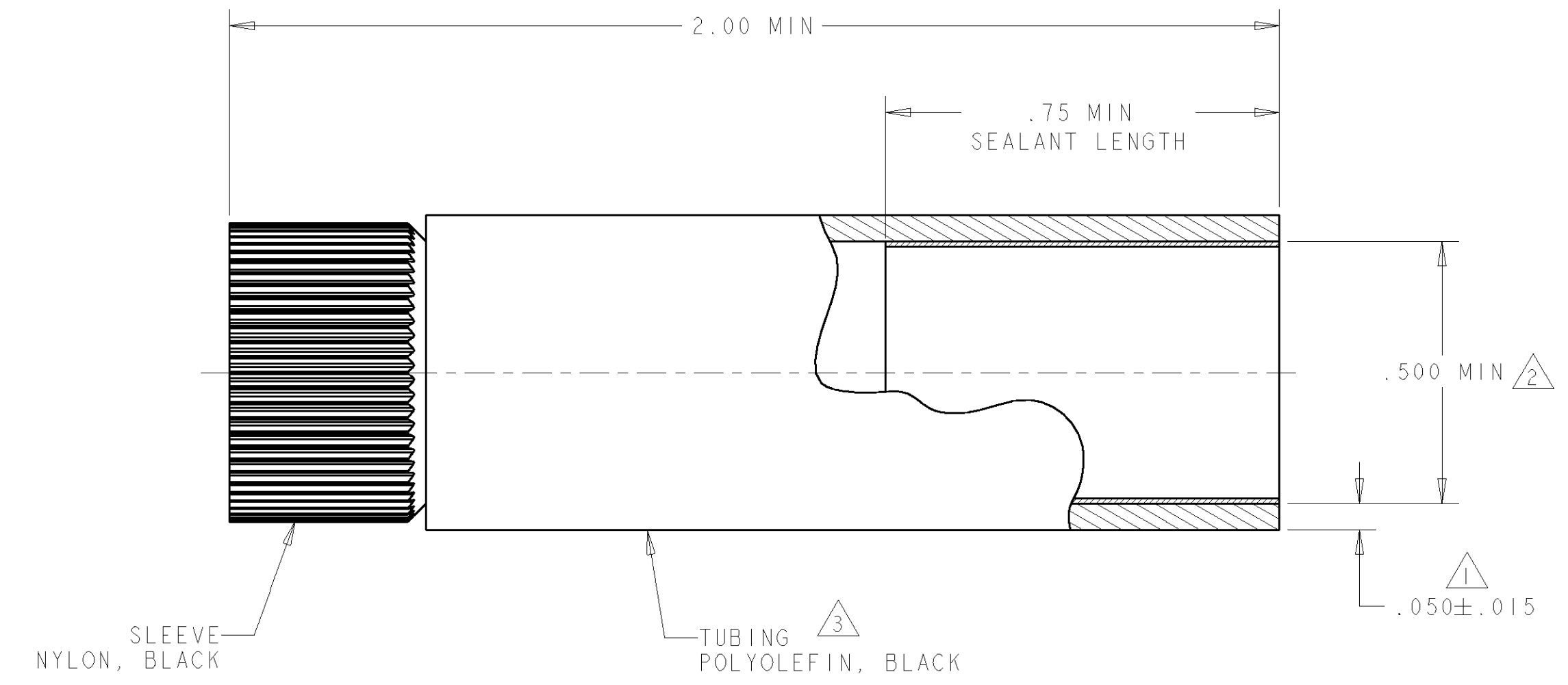
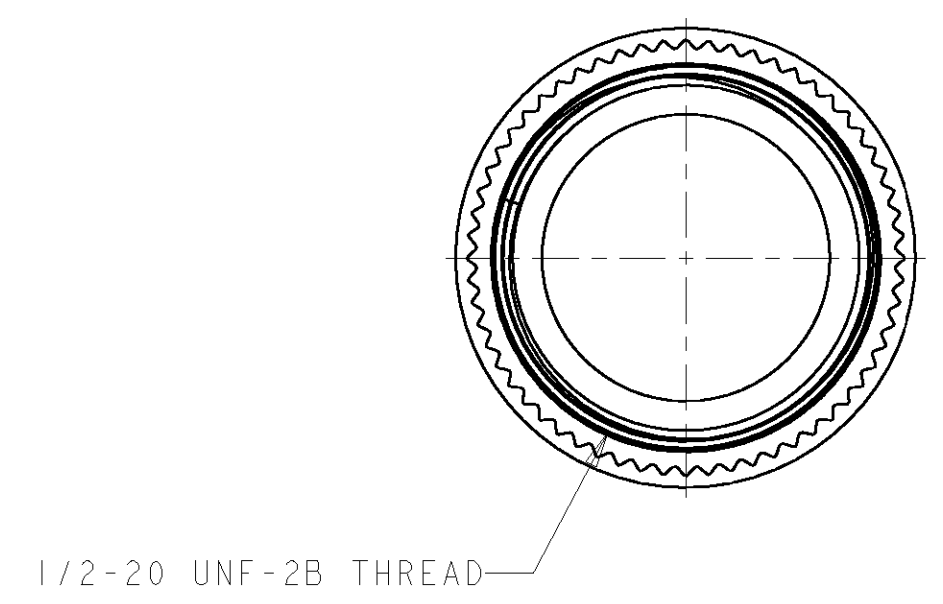
3

2

1

THIS DRAWING IS UNPUBLISHED. RELEASED FOR PUBLICATION 20
 © COPYRIGHT 20 BY TYCO ELECTRONICS CORPORATION. ALL RIGHTS RESERVED.

LOC	DIST	REVISIONS			
P	LTR	DESCRIPTION	DATE	DWN	APVD
FT	0	A	RELEASED EC 063B-0201-04	03MAR2004	SW HW



- ¹ NOMINAL WALL THICKNESS, EXPANDED.
- ² EXPANDED INSIDE DIAMETER.
- ³ .250 MAXIMUM RECOVERED INSIDE DIAMETER.
- 4. ASSEMBLY WILL PASS ONE POUND PER SQ INCH WATER PRESSURE TEST.
- 5. TUBING SHRINK TEMPERATURE: 250°F.
- 6. OPERATING TEMPERATURE: -67°F TO 230°F.
- 7. THIS PART WILL ACCOMODATE ϕ .125- ϕ .375 CABLE RANGE.

1546997-1
 PART NUMBER

<small>THIS DRAWING IS A CONTROLLED DOCUMENT FOR TYCO ELECTRONICS CORPORATION IT IS SUBJECT TO CHANGE AND THE CONTROLLING ENGINEERING ORGANIZATION SHOULD BE CONTACTED FOR THE LATEST REVISION.</small>		DWN S. WELDON 03MAR2004 CHK H. WAKEEM 03MAR2004 APVD H. WAKEEM 03MAR2004	AMP Tyco Electronics Harrisburg, PA 17105-3608
DIMENSIONS: INCHES 	TOLERANCES UNLESS OTHERWISE SPECIFIED: 0 PLC ± 1 PLC ±0.1 2 PLC ±0.02 3 PLC ±0.005 4 PLC ±0.0000 ANGLES ±	PRODUCT SPEC - APPLICATION SPEC - WEIGHT -	NAME STRAIN RELIEF ASSEMBLY, SIZE 8, MINI CPC SIZE A2 CAGE CODE 00779 DRAWING NO. 1546997 RESTRICTED TO -
MATERIAL -	FINISH -	CUSTOMER DRAWING	SCALE 4:1 SHEET 1 OF 1 REV A