

6

5

4

3

2

1

E

E

D

D

C

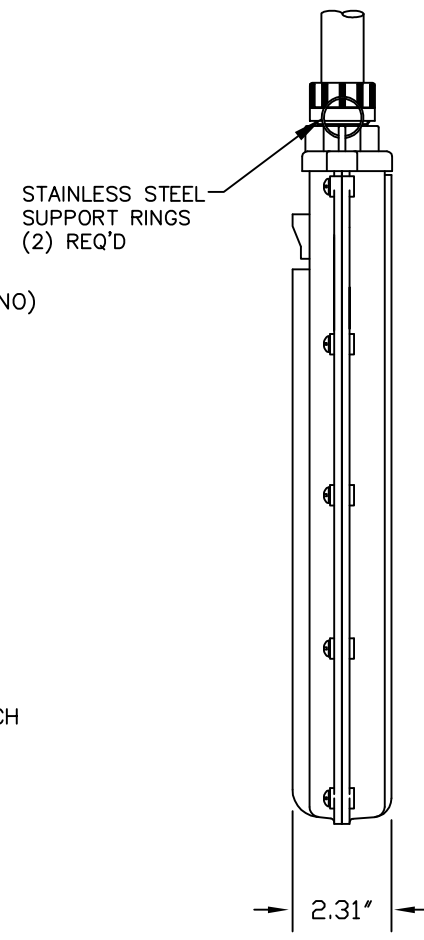
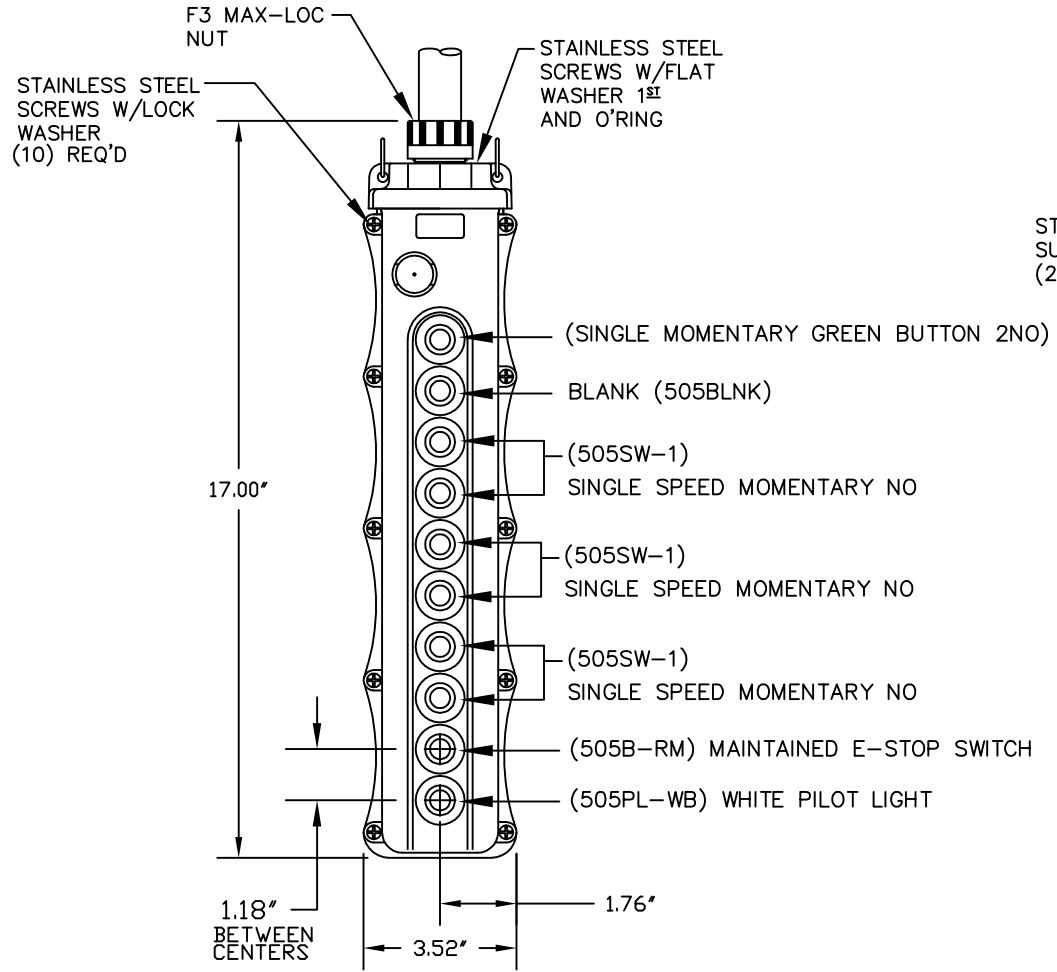
C

B

B

A

A



NOTES:  
 1. INSTALLATION INSTRUCTIONS, BUTTON ID. LABELS. ARE PACK WITH THE PART.  
 2. ALL BUTTONS ARE HIGH AMBIENT, CHEMICALLY RESISTANT MATERIAL - COLOR BLACK

RELEASE DRAWING EC NO: WNA2010-0172 DRWN: TVICKERS 9/8/09 CHKD: DTITUS APPR: DTITUS 2009/09/21	QUALITY SYMBOLS ▽=0 ∇=0	GENERAL TOLERANCES (UNLESS SPECIFIED)		DIMENSION STYLE INCH		SCALE NTS	DESIGN UNITS INCH	THIRD ANGLE PROJECTION	
			mm	INCH	DRAWN BY TV	DATE 2009/09/08	TITLE 5000 PUSHBUTTON W/(1) SINGLE GRN		
		4 PLACES	±----	±----	CHECKED BY HK	DATE 2009/09/08	505B-RM & 505PL-WB		
		3 PLACES	±----	±.005	APPROVED BY DTITUS	DATE 2009/09/18	MOLEX INCORPORATED		
			2 PLACES	±----	±.010	MATERIAL NO. 1301260318			
			1 PLACE	±----	±.020	DOCUMENT NO. SD-130126-032			
ANGULAR ±.5°			DRAFT WHERE APPLICABLE MUST REMAIN WITHIN DIMENSIONS			SHEET NO. 1 OF 1			
SIZE A			THIS DRAWING CONTAINS INFORMATION THAT IS PROPRIETARY TO MOLEX INCORPORATED AND SHOULD NOT BE USED WITHOUT WRITTEN PERMISSION						

6

5

4

3

2

1