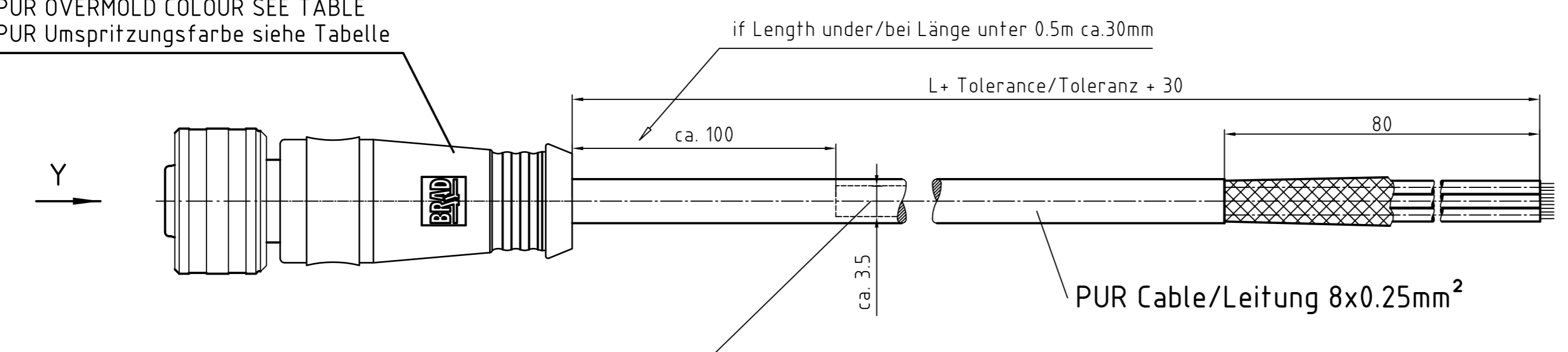
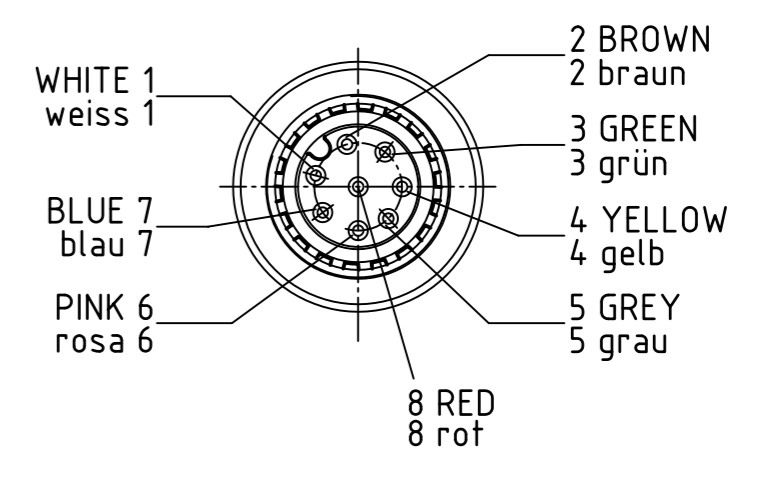


PUR OVERMOLD COLOUR SEE TABLE  
PUR Umspritzungsfarbe siehe Tabelle



CABLE PRINTING:  
Kabelbedruckung: Woodhead Connectivity GmbH "Engineering-Nr."

VIEW/Ansicht Y  
FEMALE CABLE CONNECTOR/Kabeldose  
8-Pol



X..  
PROD. DATE AS DEFINED IN  
Fertigungsdatum gemäß  
WN 00001

(...) DIM FOR INFORMATION  
(...) Informationsmaß

| SAP-Nummer | Engineering-Nr. | Umspritzungsfarbe | Länge L  | Toleranzen |
|------------|-----------------|-------------------|----------|------------|
| SAP-Number | Engineering-No. | Overmold Colour   | Length L | Tolerances |
| 1200795029 | W08S00P19M020   | gelb / yellow     | 2M       | ± 25 mm    |
| 1200835124 | W08S00P19M030   | gelb / yellow     | 3M       |            |
| 1202010042 | W08S00P19M040   | gelb / yellow     | 4M       |            |
| 1200795030 | W08S00P19M050   | gelb / yellow     | 5M       |            |
| 1200795031 | W08S00P19M060   | gelb / yellow     | 6M       | ± 30 mm    |
| 1200795032 | W08S00P19M100   | gelb / yellow     | 10M      |            |
| 1200835137 | W08S00P19M030G  | schwarz / black   | 3M       | ± 25 mm    |
| 1200835138 | W08S00P19M050G  | schwarz / black   | 5M       |            |
| 1200835151 | W08S00P19M100G  | schwarz / black   | 10M      | ± 30 mm    |

|   |  |   |   |       |              |  |   |
|---|--|---|---|-------|--------------|--|---|
| DESCRIPTION<br>EC NO: WEU2010-0123<br>DRWN: BBRAUCH<br>CHKD: RE<br>APPR: REISSNER<br>9/25/09<br>2009/11/23<br>REV | QUALITY SYMBOLS                                      | GENERAL TOLERANCES (UNLESS SPECIFIED)   | DIMENSION STYLE   | SCALE | DESIGN UNITS | FIRST ANGLE PROJECTION   |   |
|   | ▼ = 0<br>▽ = 0                                       | mm INCH<br>4 PLACES ±---- ±----<br>3 PLACES ±---- ±----<br>2 PLACES ±0.05 ±----<br>1 PLACE ±0.1 ±----<br>ANGULAR ± ---- ° | MM  | 2:1   | METRIC       | DRAWN BY: BB<br>DATE: 2009/09/25<br>CHECKED BY: RE<br>DATE: 2009/10/01<br>APPROVED BY: REISSNER<br>DATE: 2009/11/20<br>MATERIAL NO.<br>see table | M12-AU-8P-FE-STR-8/25PURSH-XM<br>----<br>MOLEX INCORPORATED<br>DOCUMENT NO. SD-120083-021<br>SHEET NO. 1 OF 1 |
|   | DRAFT WHERE APPLICABLE MUST REMAIN WITHIN DIMENSIONS | SIZE A2   | THIS DRAWING CONTAINS INFORMATION THAT IS PROPRIETARY TO MOLEX INCORPORATED AND SHOULD NOT BE USED WITHOUT WRITTEN PERMISSION |       |              |  |   |