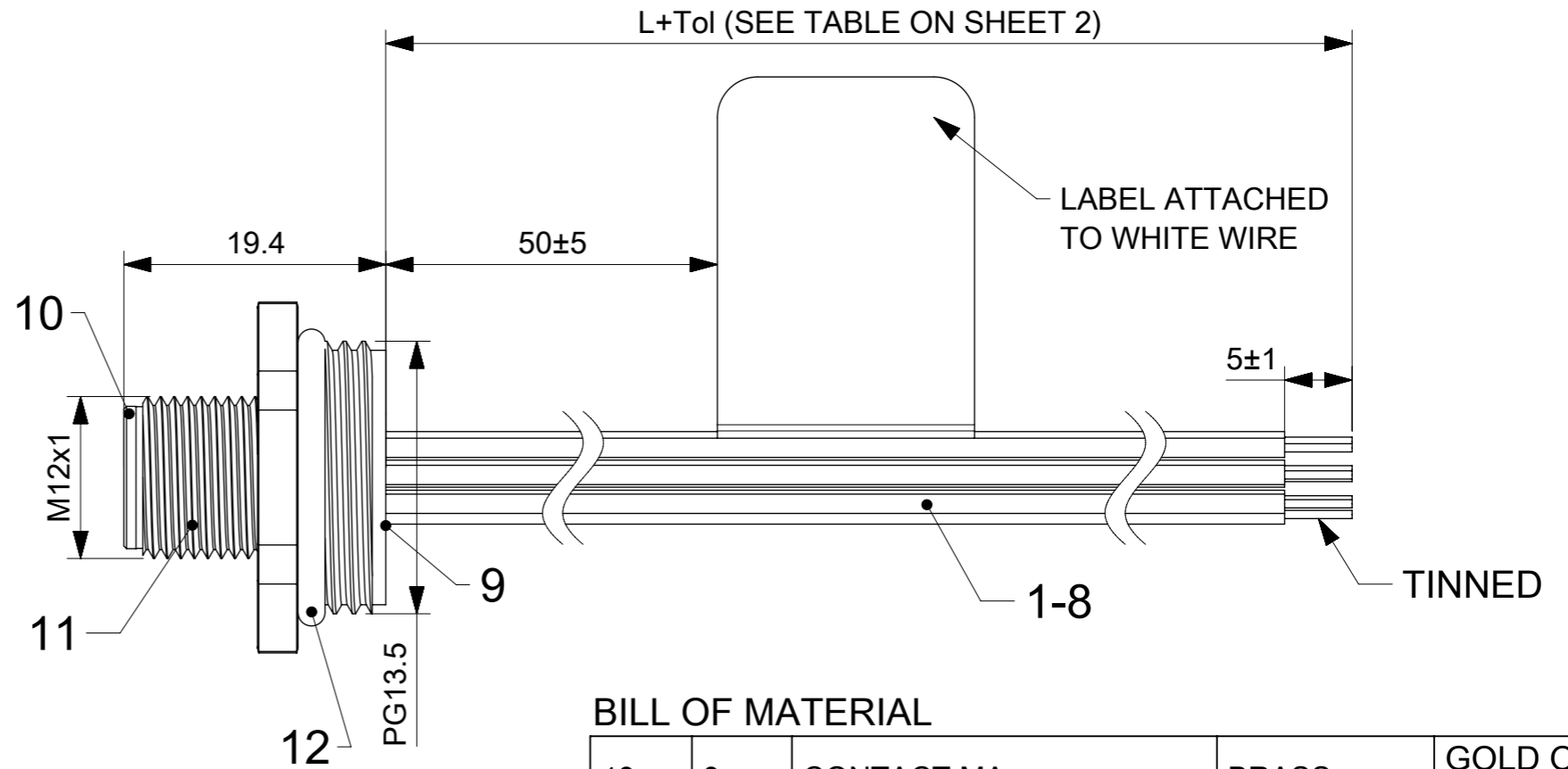


VIEW FROM THE FRONT SIDE

WIRING DIAGRAM



BILL OF MATERIAL

ITEM	QTY.	DESCRIPTION	MATERIAL	FINISH
13	8	CONTACT MA	BRASS	GOLD OVER Ni-PLATED
12	1	O-RING	NBR	-
11	1	SHELL M12 REC MA PG13.5	BRASS	Ni-PLATED
10	1	INSERT M12 MA 8P 17.5mm	ELASTOLLAN	-
9	-	POTTING MATERIAL	WEVO	-
8	-	WIRE 24AWG PK	PVC	-
7	-	WIRE 24AWG GY	PVC	-
6	-	WIRE 24AWG YE	PVC	-
5	-	WIRE 24AWG GN	PVC	-
4	-	WIRE 24AWG WH	PVC	-
3	-	WIRE 24AWG RD	PVC	-
2	-	WIRE 24AWG BN	PVC	-
1	-	WIRE 24AWG BU	PVC	-

WIRES SPECIFICATION:

RATED VOLTAGE: 300V
 RATED TEMPERATUE: 105°C
 PRODUCT STANDARD CERTIFICATION: UL
 FLAMMABILITY TEST: VW-1, CSA FT1
 AWG: 22
 CONSTRUCTION: 17/0.16
 INSULATION: PVC
 INSULATION DIAMETER: 1.58 ±0.05mm

QUALITY SYMBOLS FA = 0 FE = 0 FB = 0 FV = 0 FC = 0 FX = 0 FS = 0 FT = 0	THIS DRAWING CONTAINS INFORMATION THAT IS PROPRIETARY TO MOLEX ELECTRONIC TECHNOLOGIES, LLC AND SHOULD NOT BE USED WITHOUT WRITTEN PERMISSION		DIMENSION UNITS: MM SCALE: 2:1			
	GENERAL TOLERANCES (UNLESS SPECIFIED) ANGULAR TOL ± 1.0 °		DRWN BY: AKONDRACIUK DATE: 2016/07/14			REC M12 8P AC MA PVC 0.2M PG13.5 FM
	4 PLACES ± 3 PLACES ± 2 PLACES ± 0.05 1 PLACE ± 0.3 0 PLACES ± 0.5		CHK'D BY: MIWASIECZKO DATE: 2016/09/01			
	DRAFT WHERE APPLICABLE MUST REMAIN WITHIN DIMENSIONS		APPR BY: MIWASIECZKO DATE: 2016/09/01			SERIES: 120070 MATERIAL NUMBER: SEE SHEET 2 CUSTOMER: GENERAL MARKET
EC NO: 107080 DRWN: AKONDRACIUK CHK'D: MIWASIECZKO APPR: MIWASIECZKO		DRAWING SIZE: A3 THIRD ANGLE PROJECTION		DOCUMENT NUMBER: 1200705059 DOC TYPE: PSD DOC PART: 00P SHEET NUMBER: 1 OF 2		

ENGINEERING No. - NUMERICAL CODE (Available parts see PART LIST table. Others parts available upon request).


8 R 8 D 2 6 E 0 2 X X X X

8R = Receptacle M12	Poles: 8 = 8 Poles	Shell type	Wires E02 = 0.25mm ² PVC	Units: M = Meter C = Centimeters	Przykładowa długość Length Examples: 005 = 0.5 units 010 = 1 units 100 = 10 units
---------------------	-----------------------	------------	--	--	---

PART LIST

Pos.	Part No.	Engineering No.	Length [mm]
1	1200705059	8R8D26E02C200	200

Over	Up to and including	Tolerance
0	305	+19
305	915	+45
915	1830	+56
1830	3660	+89
3660	7320	+165
7320	14640	+317
14640	30500	+610
30500	>	+2% of length

QUALITY SYMBOLS FA = 0 FE = 0 FP = 0 FV = 0 FC = 0 FX = 0 FS = 0 FT = 0	THIS DRAWING CONTAINS INFORMATION THAT IS PROPRIETARY TO MOLEX ELECTRONIC TECHNOLOGIES, LLC AND SHOULD NOT BE USED WITHOUT WRITTEN PERMISSION												
	EC NO: 107080 DRWN: AKONDRACIUK CHK'D: MIWASIECZKO APPR: MIWASIECZKO	2016/07/14		2016/09/01		GENERAL TOLERANCES (UNLESS SPECIFIED)		DIMENSION UNITS	SCALE	 REC M12 8P AC MA PVC 0.2M PG13.5 FM			
		ANGULAR TOL ± 1.0 °		4 PLACES ±		MM	1:1						
		3 PLACES ±		3 PLACES ±		DRWN BY	DATE						
		2 PLACES ± 0.05		2 PLACES ±		AKONDRACIUK	2016/07/14						
		1 PLACE ± 0.3		1 PLACE ±		CHK'D BY	DATE						
	0 PLACES ± 0.5		0 PLACES ±		MIWASIECZKO	2016/09/01	PRODUCT CUSTOMER DRAWING		SERIES		MATERIAL NUMBER	CUSTOMER	
	DRAFT WHERE APPLICABLE MUST REMAIN WITHIN DIMENSIONS		A3		THIRD ANGLE PROJECTION		120070		SEE SHEET 2		GENERAL MARKET		
	A		REV		APPR		DRAWING SIZE		DOCUMENT NUMBER		DOC TYPE	DOC PART	SHEET NUMBER
	A		A		A		A3		1200705059		PSD	00P	2 OF 2