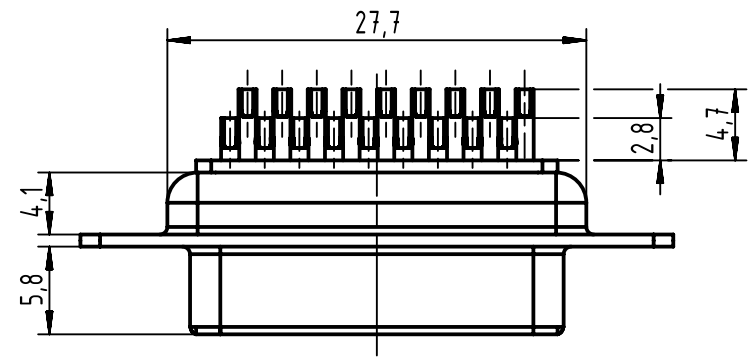
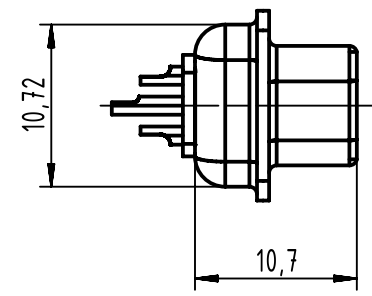
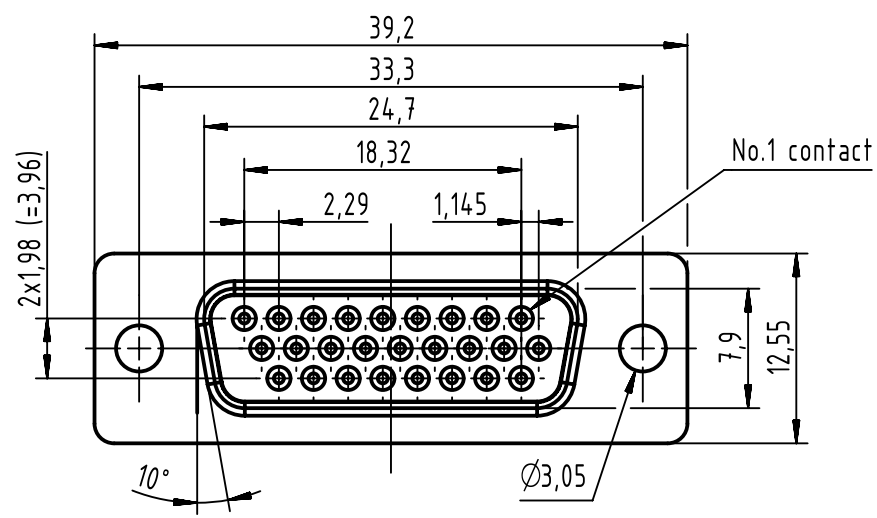


1 2 3 4 5 6

A
B
C
D



Entry hole type: stamped contact

	All Dimensions in mm Original Size DIN A4		Scale 2:1	Free size tol.		Ref.		
			Created by ZHUANGJ	Inspected by LUOK	Standardisation SCHREIER	Date 2016-12-14	State Final Release	
All rights reserved Department EC PD - CN		Title D-Sub HD 26-pole female straight solder cup					Doc-Key / ECM-Nr. 100513264/UGD/001/B 5000001124.10	
HARTING Electronics GmbH D-32339 Espelkamp		Type TB	Number 09562004715050			Rev. B	Page 1/1	

0956 200 4715 050	S4
Part number	Performance level