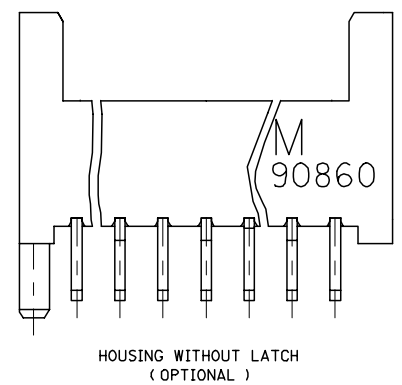
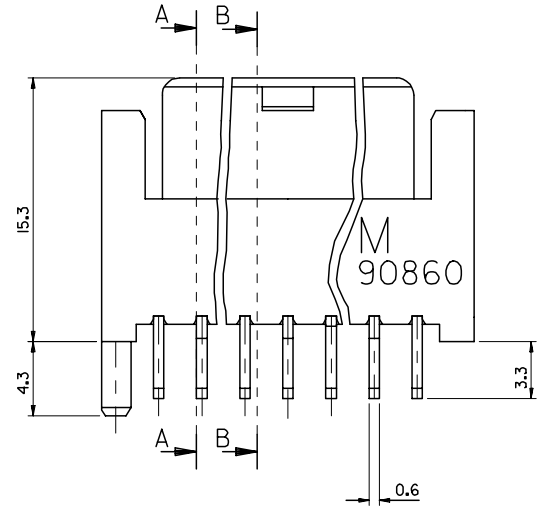
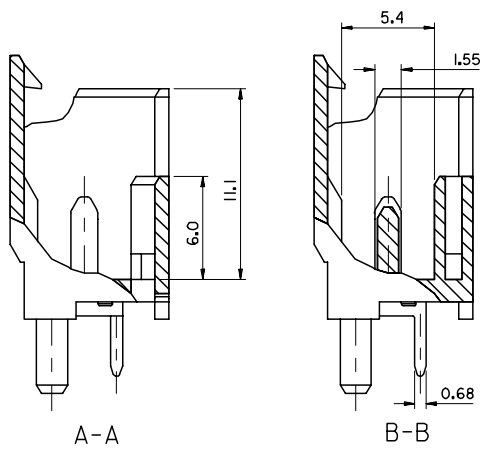
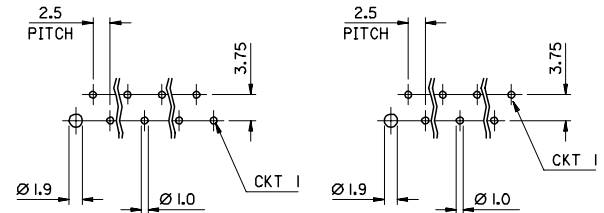
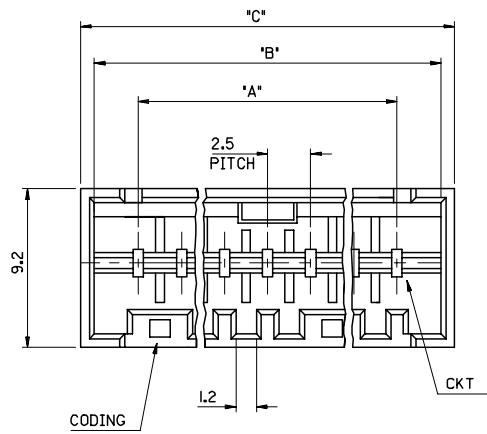


Ckt#	A	B	C
3	5.0	10.1	11.7
4	7.5	12.6	14.2
5	10.0	15.1	16.7
6	12.5	17.6	19.2
7	15.0	20.1	21.7
8	17.5	22.6	24.2
9	20.0	25.1	26.7
10	22.5	27.6	29.2
11	25.0	30.1	31.7
12	27.5	32.6	34.2
13	30.0	35.1	36.7
14	32.5	37.6	39.2
15	35.0	40.1	41.7
16	37.5	42.6	44.2
17	40.0	45.1	46.7
18	42.5	47.6	49.2
19	45.0	50.1	51.7
20	47.5	52.6	54.2



- NOTES :
- MATERIAL : HOUSING- POLYESTER (PBT), UL94 V-0
COLOR: SEE PART NO. CHARTS FOR COLOR
TERMINAL- BRASS
 - PLATING: TERMINAL - 5um TIN, OVER 2.5um NICKLE
 - PARTS PACKED AS PER ES-99039-0011
 - PRODUCT SPECIFICATION PS-99020-0040
 - RECOMMENDED PCB THICKNESS: 1.54mm

Note 5 Added EC NO: E2008-0068 DRAWN: GRADY 2007/08/24 CHKD: 2007/08/24 APPR: EGMADHONY 2007/08/24 REV DESCRIPTION	QUALITY SYMBOLS	GENERAL TOLERANCES (UNLESS SPECIFIED)	DIMENSION STYLE	SCALE	DESIGN UNITS	THIRD ANGLE PROJECTION																		
	$\blacktriangledown =$ $\blacktriangle =$	<table border="1"> <thead> <tr> <th></th> <th>mm</th> <th>INCH</th> </tr> </thead> <tbody> <tr><td>4 PLACES</td><td>± ---</td><td>± ---</td></tr> <tr><td>3 PLACES</td><td>± ---</td><td>± ---</td></tr> <tr><td>2 PLACES</td><td>± 0.05</td><td>± ---</td></tr> <tr><td>1 PLACE</td><td>± 0.10</td><td>± ---</td></tr> <tr><td colspan="3">ANGULAR ±1/2°</td></tr> </tbody> </table>		mm	INCH	4 PLACES	± ---	± ---	3 PLACES	± ---	± ---	2 PLACES	± 0.05	± ---	1 PLACE	± 0.10	± ---	ANGULAR ±1/2°			IN/MM	5:1	INCH	
		mm	INCH																					
	4 PLACES	± ---	± ---																					
3 PLACES	± ---	± ---																						
2 PLACES	± 0.05	± ---																						
1 PLACE	± 0.10	± ---																						
ANGULAR ±1/2°																								
		DRAWN BY: EF DATE: 97/04/07	TITLE: RAST 2.5 VERTICAL MALE HEADER 2.5 PITCH																					
		CHECKED BY: DATE:	MOLEX INCORPORATED																					
		APPROVED BY: DATE:	MATERIAL NO. SEE CHART	DOCUMENT NO. SDA-90860	SHEET NO. 1 OF 1																			
			THIS DRAWING CONTAINS INFORMATION THAT IS PROPRIETARY TO MOLEX INCORPORATED AND SHOULD NOT BE USED WITHOUT WRITTEN PERMISSION																					

5	B
4	B
3	C
2	A
1	D

MOLEX PART NO	CIRCUIT SIZE	COLOUR	BLOCKED POSITION KEYS	TERMINAL VOID POSITION	CONFIGURATION	REF	WITH LATCH	CONTACT PITCH
90860-1501	6	NATURAL	NONE	NONE		K00	YES	2.5
90860-1502	6	NATURAL	d, f	2, 5		K30	YES	2.5
90860-1503	6	NATURAL	c, e	NONE		K46	YES	2.5
90860-1505	6	NATURAL	d, f	NONE		K30	YES	2.5
90860-1506	6	NATURAL	b, d, f	4, 5		N/A	YES	2.5

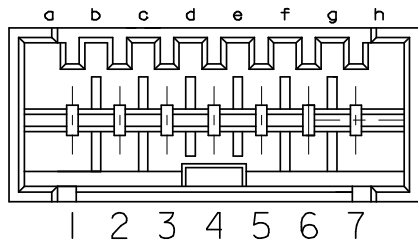
MOLEX PART NO	CIRCUIT SIZE	COLOUR	BLOCKED POSITION KEYS	TERMINAL VOID POSITION	CONFIGURATION	REF	WITH LATCH	CONTACT PITCH
90860-2501	8	NATURAL	NONE	NONE		K00	YES	2.5
90860-2502	8	NATURAL	c f h i	NONE		N/A	YES	2.5

MOLEX PART NO	CIRCUIT SIZE	COLOUR	BLOCKED POSITION KEYS	TERMINAL VOID POSITION	CONFIGURATION	REF	WITH LATCH	CONTACT PITCH
90860-2001	7	NATURAL	NONE	NONE		K00	YES	2.5
90860-0025	7	NATURAL	a d h	NONE		K32	YES	2.5
90860-0026	7	NATURAL	b e g	NONE		K33	YES	2.5
90860-2004	7	NATURAL	a, f	2, 6		N/A	YES	2.5
90860-2005	7	NATURAL	d, g	4		N/A	YES	2.5
90860-2006	7	NATURAL	a, e	4		K94 P91	YES	2.5
90860-2007	7	NATURAL	d, f, g	4		K55	YES	2.5
90860-2008	7	NATURAL	a, f	4		N/A	YES	2.5

MOLEX PART NO	CIRCUIT SIZE	COLOUR	BLOCKED POSITION KEYS	TERMINAL VOID POSITION	CONFIGURATION	REF	WITH LATCH	CONTACT PITCH
90860-3001	9	NATURAL	NONE	NONE		K00	YES	2.5
90860-3002	9	NATURAL	NONE	2, 5, 8		N/A	YES	2.5

MOLEX PART NO	CIRCUIT SIZE	COLOUR	BLOCKED POSITION KEYS	TERMINAL VOID POSITION	CONFIGURATION	REF	WITH LATCH	CONTACT PITCH
90860-3501	10	NATURAL	NONE	NONE		K00	YES	2.5
90860-3502	10	NATURAL	NONE	2, 5, 7, 9		N/A	YES	2.5

MOLEX PART NO	CIRCUIT SIZE	COLOUR	BLOCKED POSITION KEYS	TERMINAL VOID POSITION	CONFIGURATION	REF	WITH LATCH	CONTACT PITCH
90860-4001	11	NATURAL	NONE	NONE		K00	YES	2.5



+ DENOTES VOIDED CIRCUIT
 ⊕ DENOTES LOADED CIRCUIT

CODING IDENTIFICATION
 (7 CKT EXAMPLE SHOWN)
 VIEW IN MATING DIRECTION

NEW PART NUMBERS EC NO: E2008-0355 DRAWN: T. TOURISH 2008/02/04 CHKD: B. MAGUIRE 2008/02/07 APPR: B. MAGUIRE 2008/02/07	QUALITY SYMBOLS ▽=0 ▽=0	GENERAL TOLERANCES (UNLESS SPECIFIED)	DIMENSION STYLE IN/MM	SCALE ---	DESIGN UNITS INCH	THIRD ANGLE PROJECTION
		4 PLACES ± --- INCH	DRAWN BY EF	DATE 97/04/04	TITLE RAST 2.5 VERTICAL MALE HEADER	
		3 PLACES ± --- INCH	CHECKED BY	DATE		
		2 PLACES ± 0.05 INCH	APPROVED BY	DATE		
1 PLACE ± 0.01 INCH						
		ANGULAR ± 1/2°				
		DRAFT WHERE APPLICABLE MUST REMAIN WITHIN DIMENSIONS	SEE CHARTS	MATERIAL NO.	DOCUMENT NO.	SHEET NO.
						4 OF 5
				THIS DRAWING CONTAINS INFORMATION THAT IS PROPRIETARY TO MOLEX INCORPORATED AND SHOULD NOT BE USED WITHOUT WRITTEN PERMISSION		