

## Global Change Notification (GCN)

Product Family

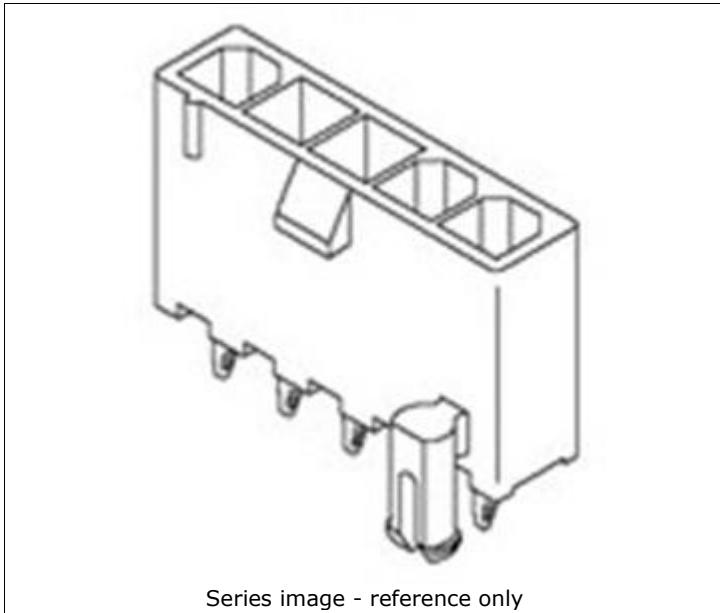
GCN Number

Series

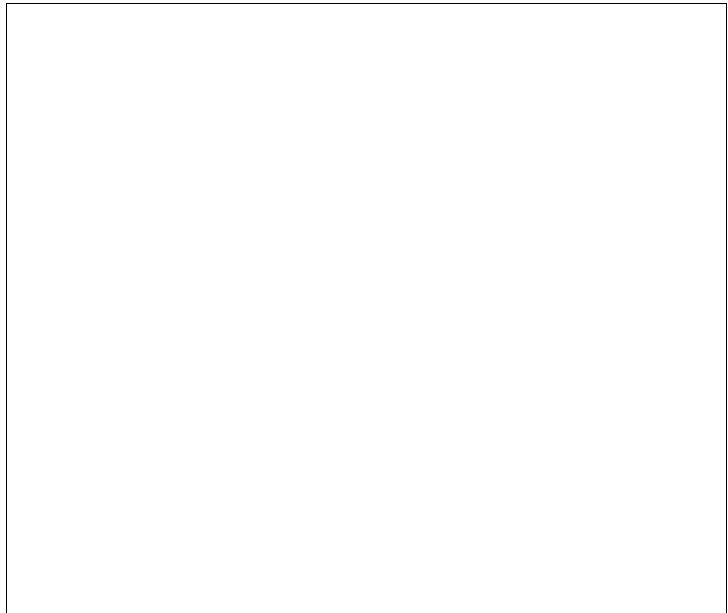
Date Issued

Reason For Change

Change Description



Series image - reference only



Part Numbers Affected

Reason For Short Notice Exception

Assessment Of Change (How Product Will Be Qualified & Validated)

Internal Molex Qualification Date (Planned Date Information Available)

Sample Availability Date (Changed Part)

Date of Implementation

Method of Identifying Change

Recommended Replacement Parts

Last Time Buy Date for Obsolete Parts

Last Time Ship Date for Obsolete Parts

Contact	Name	E-mail	Phone Number
Sales Engineer	Please refer to e-mail message for your local sales engineer.		
Regional Coordinator (Japan and Korea)	Naomi Maruyama	Naomi.Maruyama@molex.co.jp	+81-46-265-2416
Regional Coordinator (Asia- excluding Japan and Korea)	Allen Yu	Allen.Yu@molex.com	+886-2-66251751
Regional Coordinator (Europe, Middle East, Africa)	Agnes Mburu	Agnes.Mburu@molex.com	+31-40-295-8271
Regional Coordinator (Americas)	Maria Sullivan	Maria.Sullivan@molex.com	1-727-322-4352

**Molex, Inc.**  
 2222 Wellington Court  
 Lisle, IL 60532  
 TEL: 630-969-4747  
[www.molex.com](http://www.molex.com)