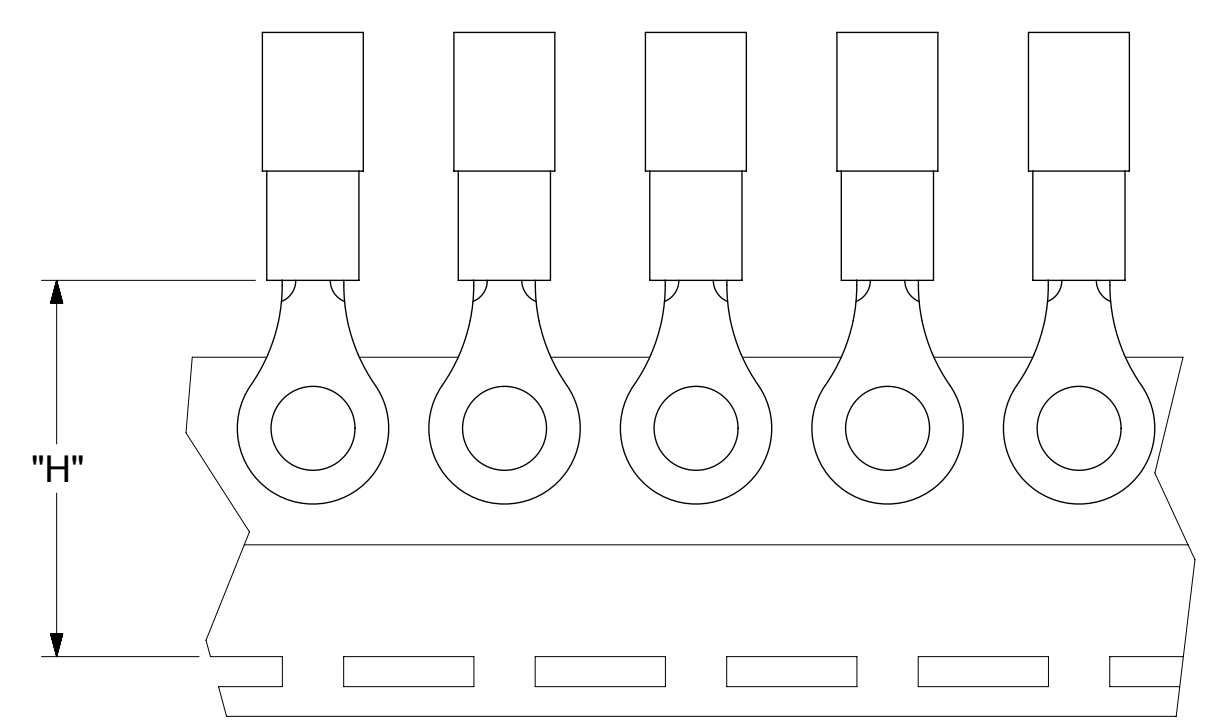
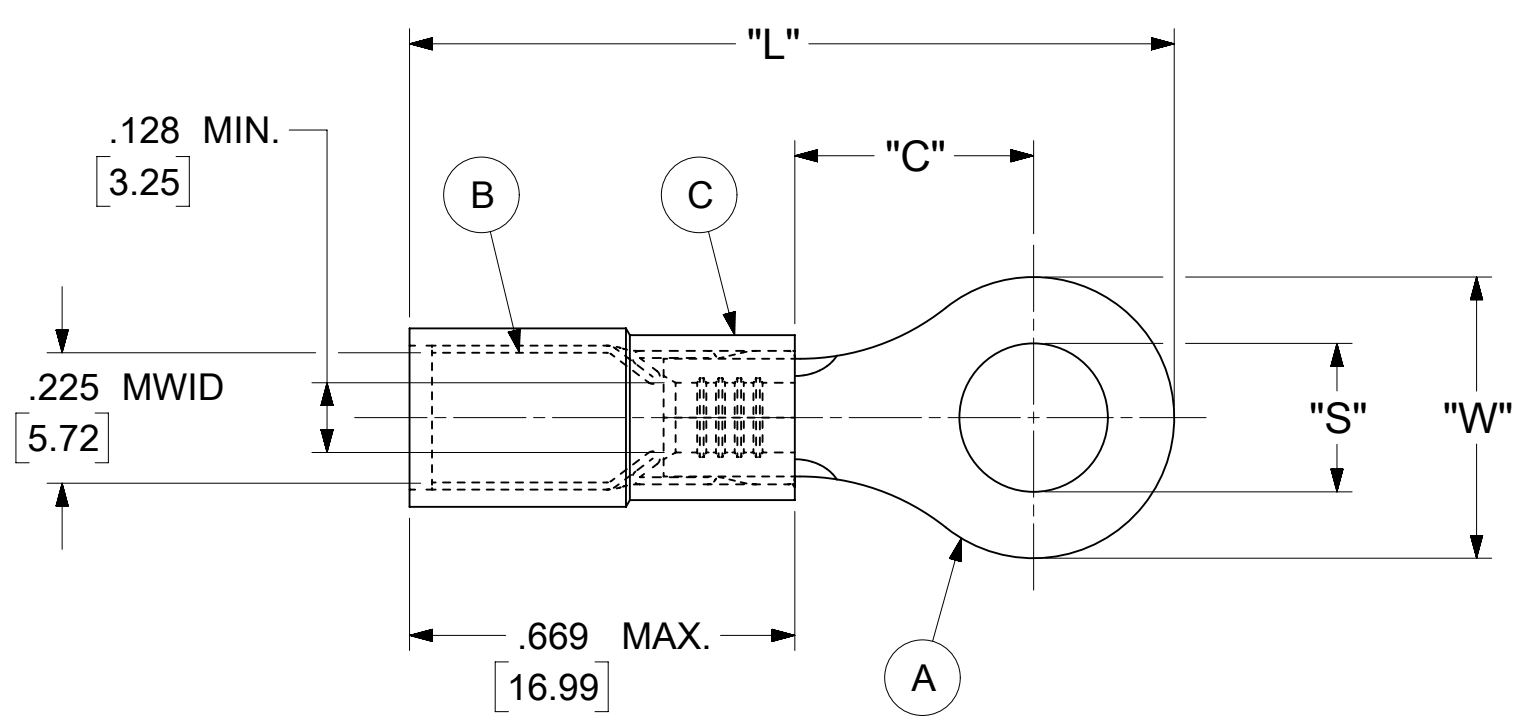


LOOSE PIECE		TAPE MOUNTED		SPECIFICATIONS						
MATERIAL NUMBER	ENGINEERING NUMBER	MATERIAL NUMBER	ENGINEERING NUMBER	STUD SIZE	"S" ±.005 [0.13]	"W" ±.010 [0.25]	"C" MIN.	"L" MAX.	"H"	STOCK ±.001 [0.025] THICKNESS
190730101	C-501-12	---	---	12	.515 [13.08]	.750 [19.05]	.611 [15.52]	1.700 [43.18]	---	.040 [1.02]
---	---	---	---	14	.265 [6.73]					
---	---	---	---	38	.390 [9.91]					
---	---	---	---	56	.328 [8.33]					
190730105	C-501-76	---	---	76	.453 [11.51]	.375 [9.53]	.303 [7.70]	1.205 [30.61]	.980 [24.89]	.040 [1.02]
190730106	C-528-04	---	---	4	.119 [3.02]					
190730108	C-528-06	---	---	6	.146 [3.71]					
190730110	C-528-08	---	---	8	.173 [4.39]					
190730113	C-528-10	190730115	C-528-10T	10	.198 [5.03]	.530 [13.46]	.393 [9.98]	1.372 [34.85]	.980 [24.89]	.040 [1.02]
190730116	C-528-209	---	---	209	.209 [5.31]					
190730117	C-530-10	---	---	10	.198 [5.03]					
190730119	C-530-14	190730121	C-530-14T	14	.265 [6.73]					
---	---	---	---	38	.390 [9.91]	.282 [7.16]	.306 [7.77]	1.161 [29.49]	.980 [24.89]	.040 [1.02]
190730123	C-530-56	190730124	C-530-56T	56	.328 [8.33]					
---	---	---	---	4	.119 [3.02]					
---	---	---	---	4	.119 [3.02]					
190730130	C-536-06	---	---	6	.146 [3.71]	.592 [15.04]	.466 [11.84]	1.476 [37.49]	1.172 [29.77]	.040 [1.02]
190730132	C-536-08	---	---	8	.173 [4.39]					
---	---	---	---	10	.198 [5.03]					
190730136	C-540-14	---	---	14	.265 [6.73]					
190730139	C-540-38	---	---	38	.390 [9.91]	.592 [15.04]	.466 [11.84]	1.476 [37.49]	1.172 [29.77]	.040 [1.02]
190730143	C-540-56	---	---	56	.328 [8.33]					
---	---	---	---	209	.209 [5.31]					
---	---	---	---	413	.413 [10.49]					

- NOTES:
- MATERIAL:
 - (A). RING TONGUE TERMINAL: COPPER
 - PLATING: ELECTRO-TIN (.0003 MIN.)
 - (B). TIN-PLATED BRASS FUNNEL FERRULE
 - (C). INSULATION: NYLON (YELLOW)
 - MWID: MAXIMUM WIRE INSULATION DIAMETER
 - WIRE SIZE: 12 -10 AWG
4.0 -6.0 MM²
 - "UL" LISTING #E32244
"CSA" LISTING #18689
 - ALL DIMENSIONS IN INCHES/[MM].
 - PARTS ARE ROHS COMPLIANT.
 - DIMS. SHOWN ARE FOR REFERENCE ONLY.



PARTS ON TAPE

SYMBOLS DIMENSION UNITS: INCH/MM SCALE: NTS GENERAL TOLERANCES (UNLESS SPECIFIED): 4 PLACES ± .005 3 PLACES ± .005 2 PLACES ± 0.13 / ± 0.01 1 PLACE ± 0.25 0 PLACES ± .005 ANGULAR TOL ± 0.5° DRAFT WHERE APPLICABLE MUST REMAIN WITHIN DIMENSIONS THIRD ANGLE PROJECTION DRAWING SERIES: C-SIZE 19073	THIS DRAWING CONTAINS INFORMATION THAT IS PROPRIETARY TO MOLEX ELECTRONIC TECHNOLOGIES, LLC AND SHOULD NOT BE USED WITHOUT WRITTEN PERMISSION CURRENT REV DESC: MIGRATION TO ECTR/NX EC NO: 619818 DRWN: ABENJAMINLW 2019/06/20 CHK'D: GROJAS01 2019/06/27 APPR: JMACNEIL 2019/07/10 INITIAL REVISION: DRWN: JJ 1984/11/15 APPR: JMACNEIL 2019/07/10				
	RING TONGUE TERMINAL AVIKRIMP 500-SERIES		PRODUCT CUSTOMER DRAWING		
	DOCUMENT NUMBER: 190730101		DOC TYPE: PSD	DOC PART: 000	REVISION: A
	MATERIAL NUMBER: SEE TABLE		CUSTOMER: GENERAL MARKET		SHEET NUMBER: 1 OF 1

NOTES:

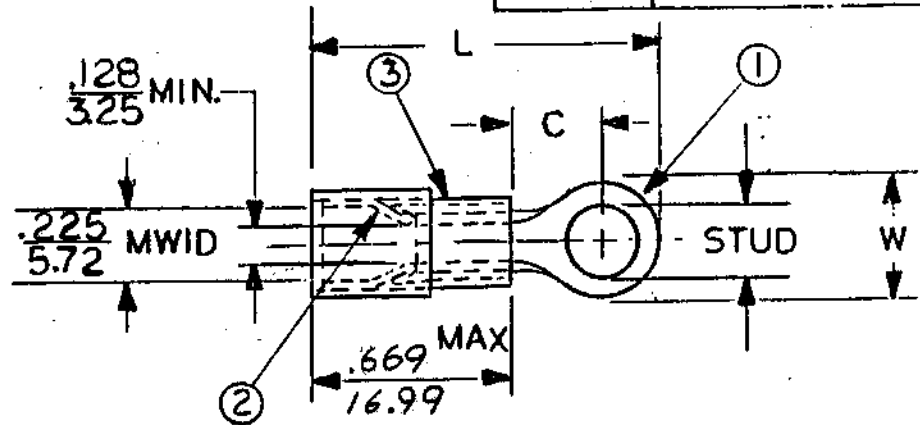
- ① MAT'L: COPPER (STOCK TKN. $\frac{.040}{1.02} \pm .001$)
PLATING: ELECTRO TIN (.0003 MIN)
- ② TIN-PLATED BRASS FUNNEL FERRULE
- ③ NYLON INSULATION (COLOR CODED YELLOW)

STUD SIZES: ($\pm .005$)

02 = .094	413 = .413
04 = .119	
06 = .146	
08 = .173	
10 = .198	
14 = .265	
56 = .328	
38 = .390	
209 = .209	

"UL" LISTING # E32244
"CSA" LISTING # 18689

WIRE SIZE: 12 - 10 AWG
4.0 - 6.0 MM²



FILE NO.

C-CD-501-01

ALL DIMENSIONS = $\frac{\text{INCHES}}{\text{MM}}$

(MWID) = DENOTES MAXIMUM WIRE INSULATION DIAMETER

PART NUMBER	"W" $\pm .010$	"C" MIN.	"L" MAX.				AVAILABLE STUD SIZES
C-501-	$\frac{.750}{19.05}$	$\frac{.611}{15.52}$	$\frac{1.700}{43.18}$				14, 56, 38, 76, 12
C-528-	$\frac{.375}{9.53}$	$\frac{.303}{7.70}$	$\frac{1.205}{30.61}$				04, 06, 08, 10, 209
C-530-	$\frac{.530}{13.46}$	$\frac{.393}{9.98}$	$\frac{1.372}{34.85}$				10, 14, 56, 38
C-536-	$\frac{.282}{7.16}$	$\frac{.306}{7.77}$	$\frac{1.161}{29.49}$				04, 06, 08
C-540-	$\frac{.592}{15.04}$	$\frac{.466}{11.84}$	$\frac{1.476}{37.49}$				10, 14, 56, 38, 209, 413

DIMENSIONAL TOLERANCES UNLESS OTHERWISE SPECIFIED

REFERENCE

SCALE: NTS

DATE

TITLE:

REV A DGN 1030
RSM 1/6/94

DRWN. BY: JJ

11-15-84

RING TONGUE
TERMINAL
AVIKRIMP
500-SERIES

ETC molex
INCORPORATED

FRAC.	DEC.	ANG.
±	±	±

CHKD. BY: GZ

11-26-84

DWG. NO.

A

CUSTOMER
DWG