



# TSM100

## SINGLE OPERATIONAL AMPLIFIER AND SINGLE COMPARATOR

NOT FOR NEW DESIGN

### OPERATIONAL AMPLIFIER

- LOW INPUT OFFSET VOLTAGE : 0.5mV typ.
- MEDIUM BANDWIDTH (unity gain) : 0.9MHz
- LARGE OUTPUT VOLTAGE SWING : 0V to  $(V_{CC} - 1.5V)$
- INPUT COMMON MODE VOLTAGE RANGE INCLUDES GROUND
- WIDE POWER SUPPLY RANGE : 5 to 30V  $\pm 2.5$  TO  $\pm 15V$
- ESD PROTECTION : 2kV

### COMPARATOR (OPEN COLLECTOR)

- INPUT COMMON MODE VOLTAGE RANGE INCLUDES GROUND
- LOW OUTPUT SATURATION VOLTAGE : 250mV @  $I_o = 4mA$

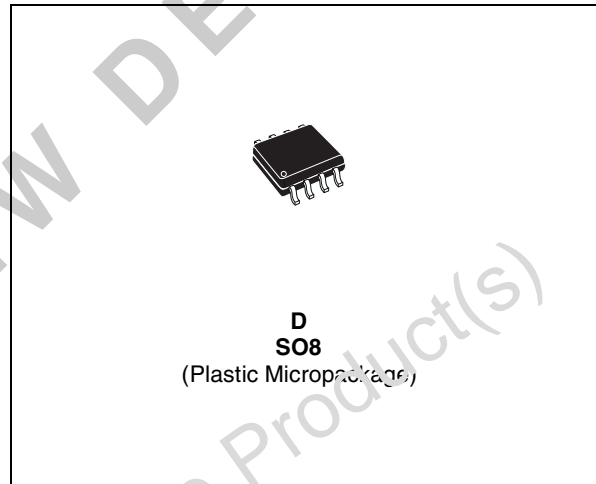
### DESCRIPTION

The TSM100 is a monolithic IC that includes one independent op-amp and one independent comparator. This device is offering space and cost saving in many applications like power supply management or data acquisition systems.

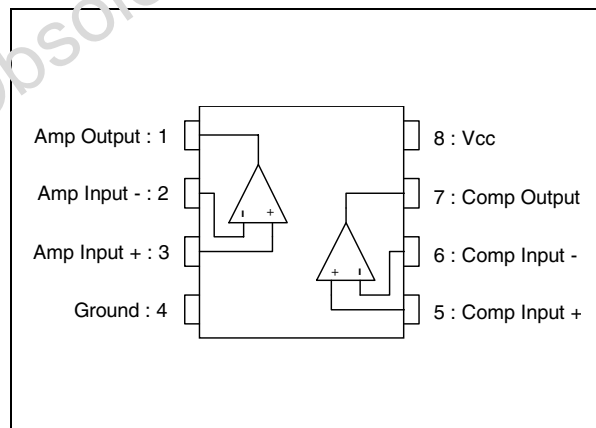
### ORDER CODE

Part Number	Temperature Range	Package
		D
TSM100I	-40°C, +105°C	•

D = Small Outline Package (SO) - also available in Tape & Reel (DT)



### PIN CONNECTIONS (top view)



**ABSOLUTE MAXIMUM RATINGS**

Symbol	Parameter	Value	Unit
$V_{CC}$	Supply Voltage	32	V
$V_{id}$	Differential Input Voltage	32	V
$V_i$	Input Voltage	-03. to +32	V
$T_{oper}$	Operating Free-air Temperature Range	-40 to +105	°C
$T_j$	Maximum Junction Temperature	150	°C
$T_l$	Maximum Lead Temperature (10 seconds maximum)	260	°C
$R_{thja}$	Thermal Resistance Junction to Ambient	175	°C/W

**ELECTRICAL CHARACTERISTICS**

Symbol	Parameter	Min.	Typ.	Max.	Unit
$I_{CC}$	Total Supply Current Vcc+ = 5V, no load Vcc+ = 30V, no load		0.9	1.4 1.8	mA

**OPERATIONAL AMPLIFIER**
 $V_{CC}^+ = +5V$ ,  $V_{CC} = \text{Ground}$ ,  $V_o = 1.4V$ ,  $T_{amb} = 25^\circ\text{C}$  (unless otherwise specified)

Symbol	Parameter	Min.	Typ.	Max.	Unit
$V_{io}$	Input Offset Voltage $T_{amb} = 25^\circ\text{C}$ $T_{min.} \leq T_{amb} \leq T_{max.}$		0.5	3 4	mV
$DV_{io}$	Input Offset Voltage Drift		7		$\mu\text{V}/^\circ\text{C}$
$I_{io}$	Input Offset Current		2	30	nA
$I_{ib}$	Input Bias Current		20	150	nA
$A_{vd}$	Large Signal Voltage Gain $V_{CC} = 15V$ , $R_L = 2k$ , $V_o = 1.4V$ to $11.4V$	50	100		V/mV
SVR	Supply Voltage Rejection Ratio $V_{CC} = 5V$ to $30V$	65	100		dB
$V_{icm}$	Input Common Mode Voltage Range $V_{CC} = +30V$ - see note <sup>1)</sup>	0		$(V_{CC}^+) - 1.5$	V
CMR	Common Mode Rejection Ratio	65	85		dB
$I_{source}$	Output Current Source $V_{CC} = +15V$ , $V_o = 2V$ , $V_{id} = +1V$	20	40		mA
$I_o$	Short Circuit to Ground $V_{CC} = +15V$		40	60	mA
$I_{sink}$	Output Current Sink $V_{id} = -1V$ , $V_{CC} = +15V$ , $V_o = 2V$ $V_{CC} = +15V$ , $V_o = 0.2V$	10 12	20 50		mA $\mu\text{A}$
$V_{OH}$	High Level Output Voltage $V_{CC}^+ = 30V$ $T_{amb} = 25^\circ\text{C}$ , $R_L = 2k$ $T_{amb} = 25^\circ\text{C}$ , $R_L = 10k$	26 27	27 28		V
$V_{OL}$	Low Level Output Voltage $R_L = 10k$		5	15	mV
SR	Slew Rate at Unity Gain $V_i = 0.5$ to $3V$ , $V_{CC} = 15V$ $R_L = 2k$ , $C_L = 100\text{pF}$ , unity gain	0.2	0.4		$\text{V}/\mu\text{s}$
GBP	Gain Bandwidth Product $V_{CC} = 30V$ , $R_L = 2k$ , $C_L = 100\text{pF}$ $f = 100\text{kHz}$ , $V_{in} = 10\text{mV}$	0.5	0.9		MHz
THD	Total Harmonic Distortion $f = 1\text{kHz}$ $A_v = 20\text{dB}$ , $R_L = 2k$ , $V_{CC} = 30V$ $C_L = 100\text{pF}$ , $V_o = 2V_{pp}$		0.015		%
$e_n$	Equivalent Input Noise Voltage $f = 1\text{kHz}$ , $R_s = 100\Omega$ $V_{CC} = 30V$		40		$\text{nV}/\sqrt{\text{Hz}}$

1. The input common-mode voltage of either input signal voltage should not be allowed to go negative by more than 0.3V. The upper end of the common-mode voltage range is  $V_{CC}^+ - 1.5V$ . But both inputs can go to  $V_{CC} + 0.3V$  without damage.

**COMPARATOR**

$V_{CC+} = +5V$ ,  $V_{CC} = \text{Ground}$ ,  $T_{amb} = 25^{\circ}\text{C}$  (unless otherwise specified)

Symbol	Parameter	Min.	Typ.	Max.	Unit
$V_{io}$	Input Offset Voltage $T_{amb} = 25^{\circ}\text{C}$		1	5	mV
$I_{io}$	Input Offset Current		5	50	nA
$I_{ib}$	Input Bias Current		25	250	nA
Avd	Large Signal Voltage Gain $V_{CC} = 15V$ , $R_L = 15k$ , $V_o = 1V$ to $11V$		200		V/mV
Vicm	Input Common Mode Voltage Range <sup>1)</sup>	0		$(V_{CC+}) - 1.5$	V
$I_{sink}$	Output Sink Current $V_{id} = -1V$ , $V_o = 1.5V$	6	16		mA
$V_{OL}$	Low Level Output Voltage $V_{id} = -1V$ , $I_{sink} = 4mA$		250	400	mV
$I_{OH}$	High Level Output Current $V_{id} = 1V$ , $V_{CC} = V_o = 30V$		0.1		nA
$t_{re}$	Response Time $R_L = 5.1k$ to $V_{CC+}$ <sup>2)</sup>		1.3		$\mu\text{s}$
$t_{rel}$	Large Signal Response Time $V_i = \text{TTL}$ , $V_{ref} = +1.4V$ , $R_L = 5.1k$ to $V_{CC+}$		300		ns

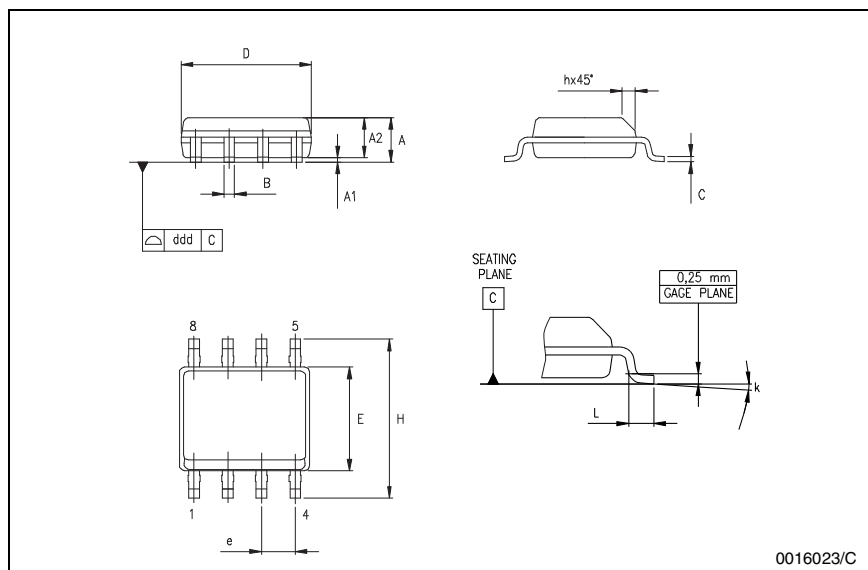
1. The input common-mode voltage of either input signal voltage should not be allowed to go negative by more than 0.3V. The upper end of the common-mode voltage range is  $V_{CC+} - 1.5V$ . But either of both inputs can go to 36V without damage.

2. The response time is specified for a 100mV input step with 5mV overdrive. For larger overdrive signals, 300ns can be obtained

**PACKAGE MECHANICAL DATA**  
8 PINS - PLASTIC MICROPACKAGE (SO)

**SO-8 MECHANICAL DATA**

DIM.	mm.			inch		
	MIN.	TYP.	MAX.	MIN.	TYP.	MAX.
A	1.35		1.75	0.053		0.069
A1	0.10		0.25	0.04		0.010
A2	1.10		1.65	0.043		0.065
B	0.33		0.51	0.013		0.020
C	0.19		0.25	0.007		0.010
D	4.80		5.00	0.189		0.197
E	3.80		4.00	0.150		0.157
e		1.27			0.050	
H	5.80		6.20	0.228		0.244
h	0.25		0.50	0.010		0.020
L	0.40		1.27	0.016		0.050
k	8° (max.)					
ddd			0.1			0.04



Information furnished is believed to be accurate and reliable. However, STMicroelectronics assumes no responsibility for the consequences of use of such information nor for any infringement of patents or other rights of third parties which may result from its use. No license is granted by implication or otherwise under any patent or patent rights of STMicroelectronics. Specifications mentioned in this publication are subject to change without notice. This publication supersedes and replaces all information previously supplied. STMicroelectronics products are not authorized for use as critical components in life support devices or systems without express written approval of STMicroelectronics.

The ST logo is a registered trademark of STMicroelectronics  
All other names are the property of their respective owners

© 2005 STMicroelectronics - All rights reserved

STMicroelectronics group of companies  
Australia - Belgium - Brazil - Canada - China - Czech Republic - Finland - France - Germany - Hong Kong - India - Israel - Italy - Japan -  
Malaysia - Malta - Morocco - Singapore - Spain - Sweden - Switzerland - United Kingdom - United States of America  
[www.st.com](http://www.st.com)

